

Getting Started With Your System

Začínáme se systémem

Guide de mise en route

Erste Schritte mit dem System

Τα πρώτα βήματα Με το σύστημά σας

Rozpoczęcie pracy z systemem

Начало работы с системой

Procedimientos iniciales con el sistema

תחילת העבודה עם המערכת

Model BMX

Getting Started With Your System

Notes, Notices, and Cautions



NOTE: A NOTE indicates important information that helps you make better use of your computer.



NOTICE: A NOTICE indicates either potential damage to hardware or loss of data and tells you how to avoid the problem.



CAUTION: A CAUTION indicates a potential for property damage, personal injury, or death

Information in this document is subject to change without notice.

© 2006 Dell Inc. All rights reserved.

Reproduction in any manner whatsoever without the written permission of Dell Inc. is strictly forbidden.

Trademarks used in this text: *Dell*, the *DELL* logo, and *Dell OpenManage* are trademarks of Dell Inc.; *Microsoft* and *Windows* are registered trademarks and *Windows Server* is a trademark of Microsoft Corporation; *Intel* and *Xeon* are registered trademarks of Intel Corporation; *SUSE* is a registered trademark of Novell, Inc.; *Red Hat* is a registered trademark of Red Hat, Inc.

Other trademarks and trade names may be used in this document to refer to either the entities claiming the marks and names or their products. Dell Inc. disclaims any proprietary interest in trademarks and trade names other than its own.

Model BMX

January 2006

P/N FD316

Rev. A00

System Features

This section describes the major hardware and software features of your system. It also provides information about other documents you may need when setting up your system and how to obtain technical assistance.

- Support for up to ten server modules. The chassis can support from one to ten server modules. (If fewer than ten server modules are installed in the chassis, server module blanks are required for proper cooling.)
- Dell™ Remote Access Controller/Modular Chassis (DRAC/MC), which provides access to systems management software features.
 - To access systems management features, connect the null modem cable provided with the system between the serial management port and an external PC. You may also obtain system management information through a Web browser connected to the RJ-45 management port. Systems management software monitors the system and server module status.
 - Embedded systems management circuitry that monitors operation of the system fans and critical system voltages and temperatures. The systems management circuitry works in conjunction with your systems management software.
- Support for I/O connectivity including pass-through modules and network switch modules. Up to four I/O modules may be installed. (If fewer than four modules are installed, blank I/O modules are required for proper cooling.) Optional daughter cards installed in the server modules enable the I/O connectivity.
- Two hot-pluggable system fan modules. Each fan module has two replaceable fans.
- Two 2100-watt, hot-pluggable power supplies and two power supply blanks, or four 2100-watt, hot-pluggable power supplies. Two power supplies provide power to the system; two additional power supplies provide redundancy.


 **NOTICE:** 1200-watt power supplies are not supported.

Server Module Features


- One or two Intel® Xeon® Processor 5000 Sequence.
- Support for symmetric multiprocessing (SMP), which greatly improves overall system performance by dividing processor operations between independent processors. To take advantage of this feature, you must use an operating system that supports multiprocessing.
- A minimum of 512 MB of 533-MHz or 677-MHz (when available) DDR II fully-buffered DIMM (FBD) memory modules, upgradable to a maximum of 32 GB by installing combinations of 256-MB, 512-MB, 1-GB, 2-GB, or 4-GB two-way interleaving memory modules in the eight memory module sockets on the system board.

The system also supports memory sparing or memory mirroring if all eight memory module sockets are populated with identical memory modules.

- Support for up to two 2.5-inch, SAS or SATA hot-pluggable hard drives.

 **NOTE:** SAS and SATA hard drives cannot be mixed within a server module.

- Integrated internal drive mirroring allows two disks to be mirrored through the integrated RAID controller.
- An external port to support USB devices using the custom cable. USB devices include a mouse, a keyboard, flash drive, a 1.44-MB, 3.5-inch diskette drive, or an optical drive.

 **NOTE:** Only Dell-supplied USB diskette drives and optical drives are supported; use only a USB 2.0-compliant cable with a length not to exceed 3 meters (118.1 inches).

- An integrated VGA-compatible video subsystem with an ATI ES1000 video controller. This video subsystem contains 16 MB of SDRAM video memory (nonupgradable). Maximum resolution is 1280 x 1024 x 65,000 colors (noninterlaced).
- Systems management circuitry that monitors operation of the system fans as well as critical system voltages and temperatures. The systems management circuitry works in conjunction with the systems management software.

For more information about specific features, see "Technical Specifications."

The following software is included with your system:

- A System Setup program for quickly viewing and changing system configuration information. For more information on this program, see "Using the System Setup Program" in your *Hardware Owner's Manual*.
- Enhanced security features, including a system password and a setup password, available through the System Setup program.
- System diagnostics for evaluating system components and devices. For information about using the system diagnostics, see "Running the System Diagnostics" in your *Hardware Owner's Manual*.
- Video drivers for displaying many popular application programs in high-resolution modes.
- Systems management software and documentation. Systems management software is used to manage and monitor each individual server module as well as the system as a whole, including all of the server modules, network switch modules, power supplies, and fans. Systems management software manages the system locally and remotely on a network. Dell recommends that you use the systems management software provided with this system.
- Optional solutions software for Web hosting, caching, or load balancing. See your solutions software documentation for more information


Supported Operating Systems

Your system supports the following operating systems:

- Microsoft® Windows® 2000 Server and Advanced Server with Service Pack 4 or later
- Microsoft Windows Server™ 2003 Standard Edition, Enterprise Edition, and Web Edition with Service Pack 1 or later

- Microsoft Windows Server 2003, Standard and Enterprise x64 Edition
- Red Hat® Enterprise Linux AS, ES, and WS (version 3) for Intel x86
- Red Hat Enterprise Linux AS, ES, and WS (version 4) for Intel x86
- Red Hat Enterprise Linux for Intel Extended Memory 64 Technology (Intel EM64T) AS, ES, and WS (version 4)
- SuSE® Linux Enterprise Server 9 for Intel EM64T

Other Information You May Need

 **CAUTION:** The *Product Information Guide* provides important safety and regulatory information. Warranty information may be included within this document or as a separate document.

- The *Rack Installation Guide* or *Rack Installation Instructions* included with your rack solution describes how to install your system into a rack.
- The *Hardware Owner's Manual* provides information about system features and describes how to troubleshoot the system and install or replace system components.
- The *Dell OpenManage Baseboard Management Controller User's Guide* provides detailed information on using the BMC.
- The *Dell Remote Access Controller/Modular Chassis User's Guide* provides detailed information on using the remote management features of the system.
- The *Configuration Guide* provides information on configuring your system and the server modules in your system.
- CDs included with your system provide documentation and tools for configuring and managing your system.
- Systems management software documentation describes the features, requirements, installation, and basic operation of the software.
- Operating system documentation describes how to install (if necessary), configure, and use the operating system software.
- Documentation for any components you purchased separately provides information to configure and install these options.
- Updates are sometimes included with the system to describe changes to the system, software, and/or documentation.

 **NOTE:** Always check for updates on support.dell.com and read the updates first because they often supersede information in other documents.

- Release notes or readme files may be included to provide last-minute updates to the system or documentation or advanced technical reference material intended for experienced users or technicians.

Obtaining Technical Assistance

If you do not understand a procedure in this guide or if the system does not perform as expected, see your *Hardware Owner's Manual*.

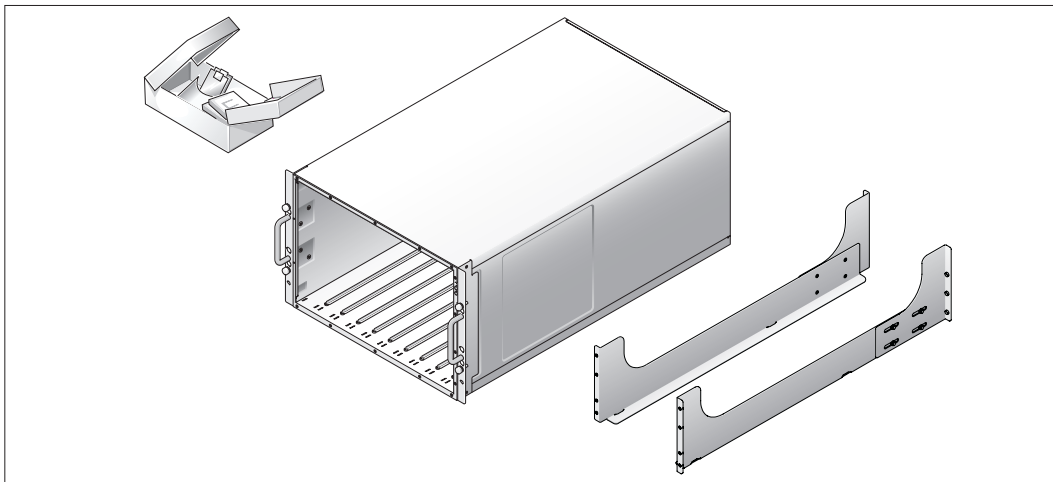
Dell Enterprise Training and Certification is available; see www.dell.com/training for more information. This service may not be offered in all locations.

Installation and Configuration

⚠ CAUTION: Before performing the following procedure, read and follow the safety instructions and important regulatory information in your *Product Information Guide*.

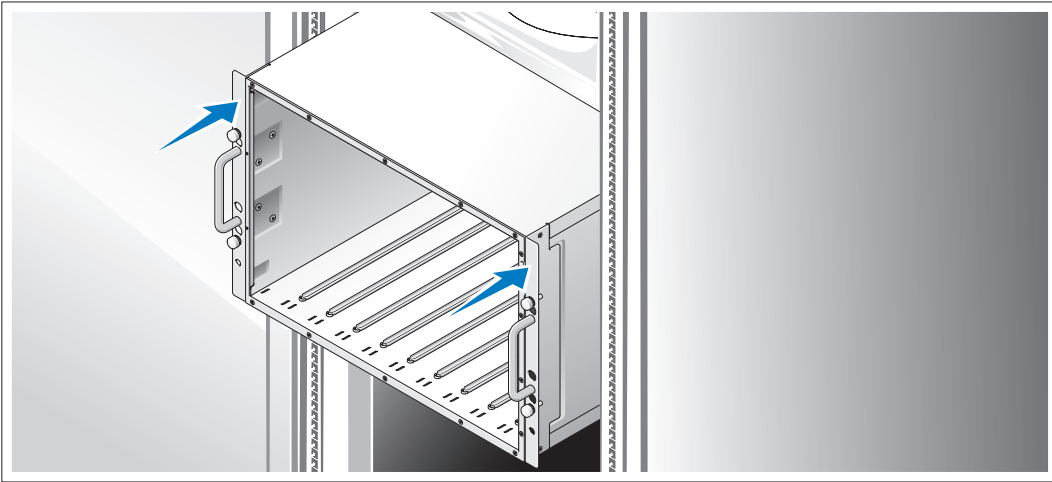
This section describes the steps required to set up your system for the first time.

Unpack the System



- 1** Unpack your system and identify each item.
Keep all shipping materials in case you need them later.

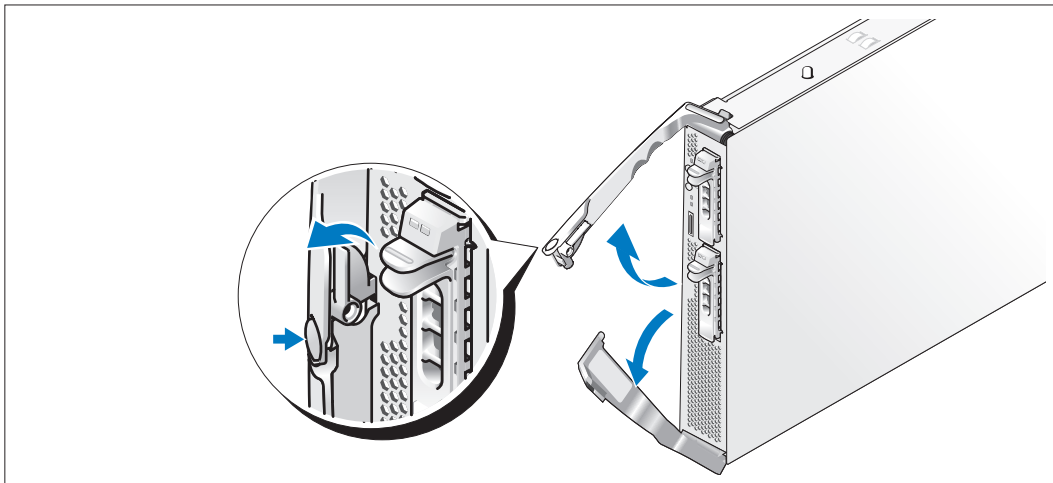
Install the System in a Rack



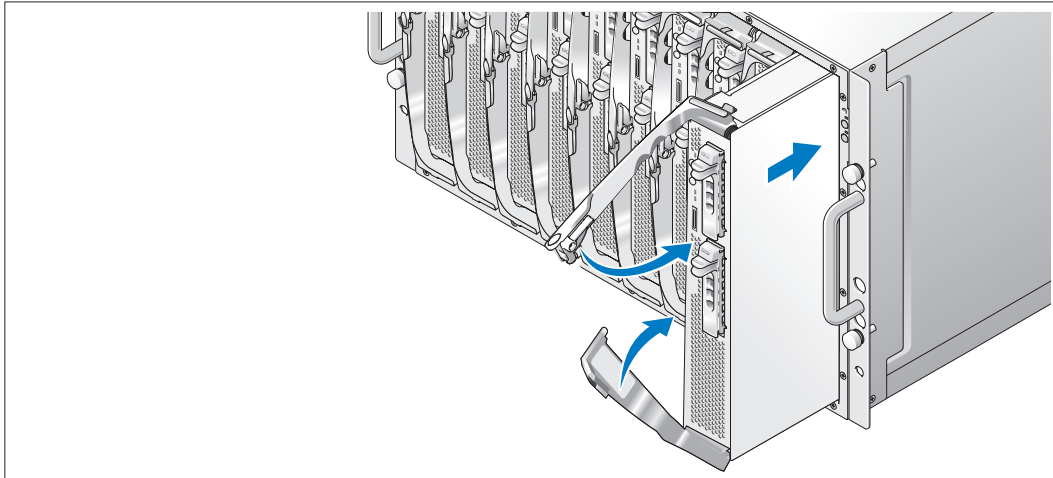
- 2 Install the system in the rack once you have read the "Safety Instructions" located in the rack installation documentation for your system.

See your rack installation documentation for instructions on installing your system in a rack.

Install the Server Modules

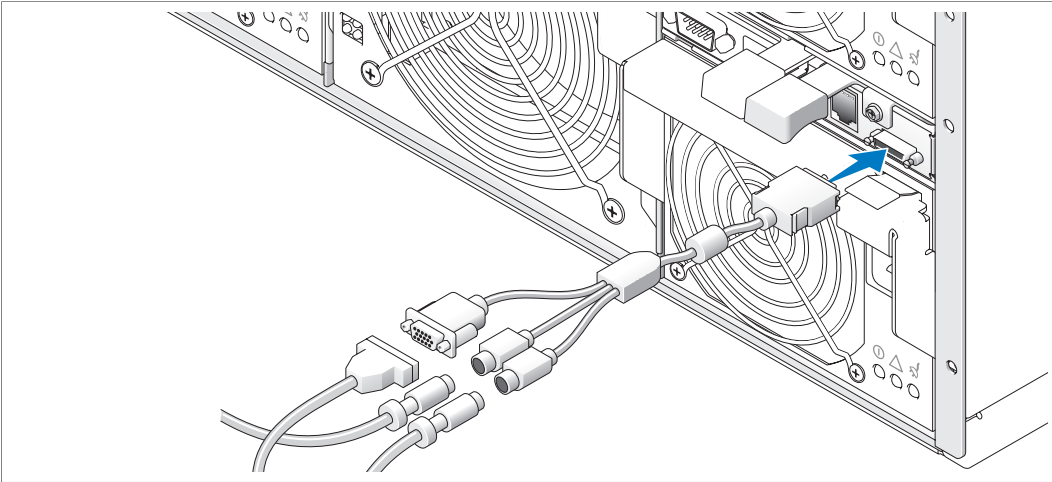


- 3 Before installing the modules, orient each module so that the upper handle has the logo on it and "TOP-SIDE" on the module edge faces upward. Press the release latch on the inside of the upper handle. Pull out the upper and lower handles.



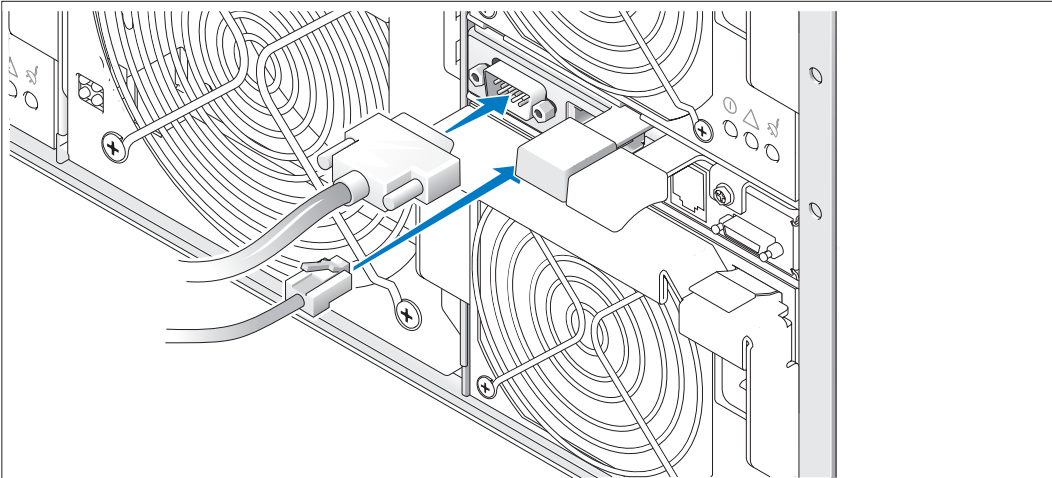
Beginning from left to right, slide the modules into the chassis. When the open handles contact the chassis front panel, begin to rotate the handles together (the lower handle will close first) until the lower handle is flush against the module's front panel. Continue to rotate the upper handle downward until it is flush against the lower handle. (When the handles are fully closed, the release latch will secure both handles to the front panel.)

Connect the Keyboard, Mouse, and Monitor



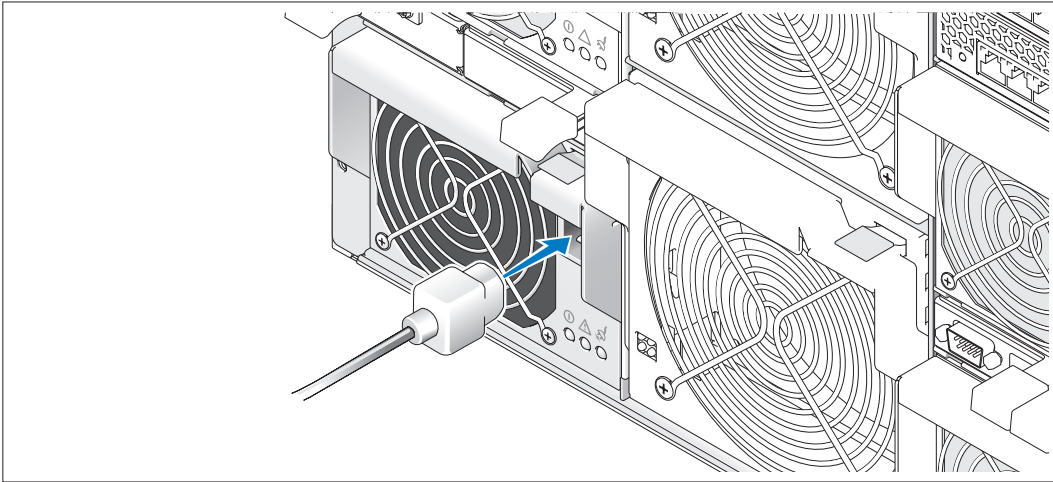
- 4 Attach the custom cable to the KVM module, then connect the keyboard, mouse, and monitor (optional) to the custom cable.

Connect the Management System



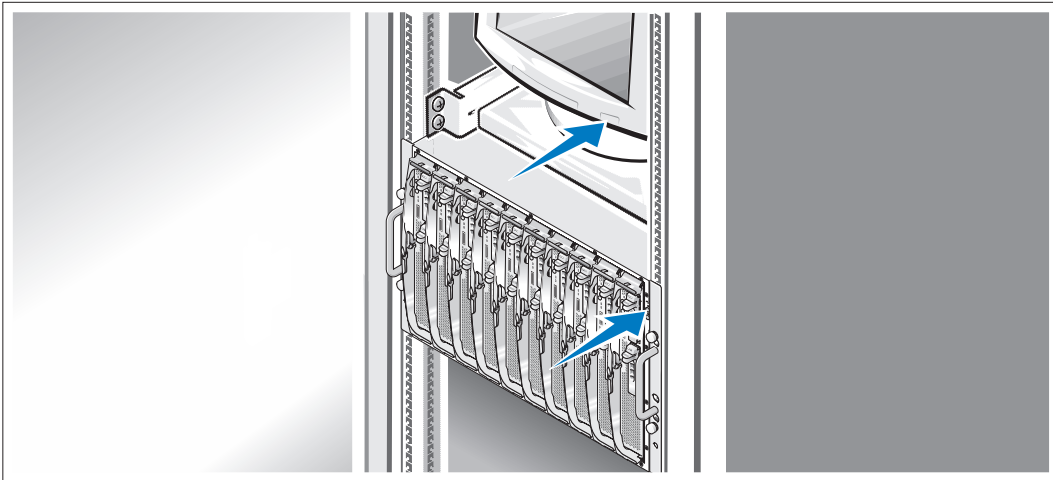
- 5 Connect the serial cable and network cable from the management system to the DRAC/MC module.

Connect the System and Monitor (Optional) to Power



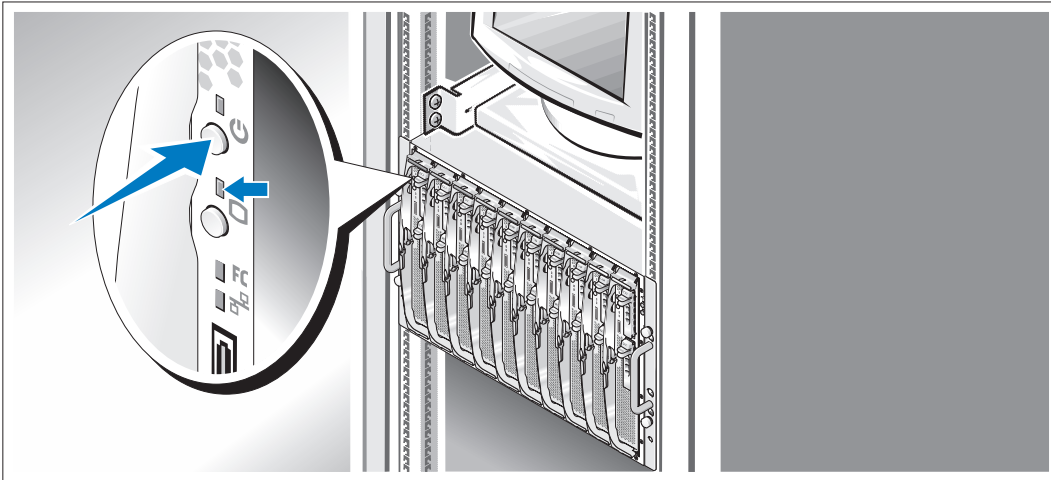
- 6 Connect the system's power cable(s) to the system. Next, plug the other end of the cable into a grounded electrical outlet or a separate power source such as an uninterruptible power supply (UPS) or a power distribution unit (PDU). Connect the monitor's power cable to a grounded electrical outlet.

Turn on the System and Monitor (Optional)



- 7 Press the power button on the chassis and the monitor. The power indicators should light. Adjust the monitor's controls until the displayed image is satisfactory.

Turn on the Server Modules



- 8 Press the power button on each server module, or power on the modules using the systems management software.

The KVM indicators on the server modules identify which server module video is displayed.

Adjust the monitor's controls until the displayed image is satisfactory.

Complete the Operating System Setup

If you purchased a preinstalled operating system, see the operating system documentation that ships with your system. To install an operating system for the first time, see the *Quick Installation Guide*. Be sure the operating system is installed before installing hardware or software not purchased with the system.

Technical Specifications

Server Module

Processor	
Processor type	Up to two Intel Xeon Processor 5000 Sequence

Memory	
Architecture	FBD DDR II DIMMs, with two-way interleaving, rated for 533- or 677-MHz (when available) operation
Memory module sockets	Eight 240-pin
Memory module capacities	256 MB, 512 MB, 1 GB, 2 GB, or 4 GB
Minimum RAM	512 MB
Maximum RAM	32 GB

Drives	
Hard Drives	
SAS configuration	One or two 2.5-inch hot-pluggable hard drives
SATA configuration	One or two 2.5-inch hot-pluggable hard drives
	NOTE: SAS and SATA hard drives cannot be mixed within a server module.

Connectors	
Externally accessible	
Front	
Custom	Supports two USB devices and video via custom cable

Video	
Video type	ATI ES1000 video controller
Video memory	16 MB

Physical

Height	28.575 cm (11.25 in)
Width	4.241 cm (1.67 in)
Depth	50.8 cm (20 in)
Weight (maximum configuration)	7.257 kg (16 lb)

Battery

Server module battery	CR 2032 3.0-V lithium ion coin cell
-----------------------	-------------------------------------

System

System Enclosure

Height	31.038 cm (12.22 in)
Width	42.519 cm (16.74 in)
Depth	76.2 cm (30 in)
Weight (maximum configuration)	129.274 kg (285 lb)

Power Supply Module

AC power supply (per power supply)

Wattage	2100 W
Voltage	170–264 VAC, 50/60 Hz, 15.8 A at 170 VAC, 9.9 A at 264 VAC
Heat dissipation	3480 BTU/hr. maximum
Maximum inrush current	Under typical line conditions and over the entire system ambient operating range, the inrush current may reach 55 A per power supply for 10 ms or less.

Physical

Height	9.70 cm (3.82 in)
Width	12.90 cm (5.08 in)
Depth	23.01cm (9.06 in)
Weight	3.288 kg (7.25 lb)

Fan Module

Physical

Height	14.732 cm (5.8 in)
Width	15.748 cm (6.2 in)
Depth	27.305 cm (10.75 in)
Weight	2.948 kg (6.5 lb)

KVM Module

Externally accessible connectors

Custom	Custom cable used for two PS/2 and one video
ACI port	RJ-45 (Avocent Analog KVM switch only)
Ethernet	RJ-45 (Avocent Digital Access KVM switch only)

Physical

Height	2.54 cm (1 in)
Width	5.334 cm (2.1 in)
Depth	28.194 cm (11.1 in)
Weight	0.272 kg (.6 lb)

DRAC/MC Module

Externally accessible connectors

Remote management	Dedicated 10/100 RJ-45 (for integrated Ethernet remote access controller)
Serial	9-pin, DTE, 16550-compatible

Battery

Module battery	CR 2032 3.0-V lithium ion coin cell
----------------	-------------------------------------

Physical

Height	2.54 cm (1 in)
Width	7.493 cm (2.95 in)
Depth	26.03 cm (10.35 in)
Weight	0.363 kg (.8 lb)

PowerConnect 5316M Ethernet Switch Module

Externally accessible connectors

Gb 10/100/1000 Mbps Ethernet	Six autonegotiating RJ-45 uplinks
------------------------------	-----------------------------------

Physical

Height	3.302 cm (1.3 in)
Width	13.081 cm (5.15 in)
Depth	27.432 cm (10.8 in)
Weight	0.816 kg (1.8 lb)

Gb Ethernet Pass-Through Module

Externally accessible connectors

Ethernet	Ten RJ-45 uplinks (for integrated 1-Gbps NICs)
----------	--

NOTE: Pass-through uplinks support 1000 Mbps connection only.

Physical

Height	3.302 cm (1.3 in)
Width	13.081 cm (5.15 in)
Depth	27.432 cm (10.8 in)
Weight	0.816 kg (1.8 lb)

Fibre Channel Pass-Through Module

Externally accessible connectors

Fibre Channel transceiver	Ten 76-pin, 3.5 Gbps, GPIO transceiver receptacles
---------------------------	--

Physical

Height	3.302 cm (1.3 in)
Width	13.081 cm (5.15 in)
Depth	27.432 cm (10.8 in)
Weight	0.816 kg (1.8 lb)

Fibre Channel Switch Module

Externally accessible connectors

Fibre Channel	Four universal (E, F, and FL) autosensing ports
1/2/4 Gb/s Ethernet	RJ-45

Physical

Height	3.302 cm (1.3 in)
Width	13.081 cm (5.15 in)
Depth	27.432 cm (10.8 in)
Weight	1.06 kg (2.35 lb)

Infiniband Pass-Through Module

Externally accessible connectors

Infiniband	Ten 4X ports
------------	--------------

Physical

Height	3.302 cm (1.3 in)
Width	13.081 cm (5.15 in)
Depth	27.432 cm (10.8 in)
Weight	1.8 kg (4 lb)

Environmental

NOTE: For additional information about environmental measurements for specific system configurations, see www.dell.com/environmental_datasheets. The system is not for use in an office environment.

Temperature

Operating

10° to 35°C (50° to 95°F)

NOTE: Decrease the maximum temperature by 1°C (1.8°F) per 300 m (985 ft) above 900 m (2955 ft).

Storage

-40° to 65°C (-40° to 149°F)

Relative humidity

Operating

8% to 85% (noncondensing) with a maximum humidity gradation of 10% per hour

Storage

5% to 95% (noncondensing)

Maximum vibration

Operating

0.25 G at 3–200 Hz for 15 min

Storage

0.5 G at 3–200 Hz for 15 min

Maximum shock

Operating

One shock pulse in the positive z axis (one pulse on each side of the system) of 41 G for up to 2 ms

Storage

Six consecutively executed shock pulses in the positive and negative x, y, and z axes (one pulse on each side of the system) of 71 G for up to 2 ms

Altitude

Operating




-16 to 3048 m (-50 to 10,000 ft)

Storage

-16 to 10,600 m (-50 to 35,000 ft)

Začínáme se systémem

Poznámky, upozornění a výstrahy

-  **POZNÁMKA:** POZNÁMKA označuje důležitou informaci, která vám pomůže při lepším využívání vašeho počítače.
-  **UPOZORNĚNÍ:** UPOZORNĚNÍ poukazuje na možnost poškození hardwaru nebo ztráty dat a poskytuje návod, jak se danému problému vyhnout.
-  **POZOR:** Výstraha („POZOR“) poukazuje na riziko poškození majetku, poranění nebo smrtelného úrazu.

Informace obsažené v tomto dokumentu podléhají změnám bez předchozího upozornění.

© 2006 Dell Inc. Všechna práva vyhrazena.

Reprodukce v jakékoli formě je bez písemného svolení společnosti Dell Computer Corporation přísně zakázána.

Ochranné známky použité v tomto textu: *Dell*, logo *DELL*, a *Dell OpenManage* jsou obchodní značky společnosti Dell Inc.; *Microsoft* a *Windows* jsou registrované obchodní značky a *Windows Server* je obchodní značka společnosti Microsoft Corporation; *Intel* a *Xeon* jsou registrované obchodní značky společnosti Intel Corporation; *SUSE* je registrovaná obchodní značka společnosti Novell, Inc.; *Red Hat* je registrovaná obchodní značka společnosti Red Hat, Inc.

V tomto dokumentu mohou být použity další ochranné známky a obchodní názvy buď s odkazem na právnické osoby a organizace, které uplatňují na dané ochranné známky a obchodní názvy nárok, nebo s odkazem na jejich výrobky. Společnost Dell Inc. nemá vlastnické zájmy vůči ochranným známkám a obchodním názvům jiným než svým vlastním.

Model BMX

Leden 2006

P/N FD316

Rev. A00

Systemové funkce

V této části jsou popsány hlavní hardwarové a softwarové funkce vašeho systému. Jsou v ní obsaženy i informace o doplňujících dokumentech, které příp. potřebujete při instalaci systému, a informace k odborné pomoci.

- Podpora pro až deset serverových modulů. Šasi může podporovat jeden až deset serverových modulů. (Pokud je v šasi nainstalováno méně než deset serverových modulů, je pro řádné chlazení nezbytné použít záslepky.)
- Dell™ Remote Access Controller/Modular Chassis (DRAC/MC), jež poskytuje přístup k rysům správy software systémů.
 - Pro přístup k funkcím správy systémů připojte nulový modemový kabel dodávaný se systémem mezi sériový port správy a externí PC. Informace o správě systému lze získat i pomocí webového prohlížeče připojeného ke správnému portu RJ-45. Software správy systému monitoruje systém a stav serverového modulu.
 - Vestavěné obvody správy systémů, které monitorují funkci větráků systému a kritické napětí a teploty systému. Obvody správy systémů fungují ve spojení se softwarem správy vašeho systému.
- Podpora pro konektivitu I/O včetně prostupných modulů a síťových switch modulů. Nainstalovat lze až čtyři moduly I/O. (Je-li nainstalováno méně než čtyři moduly, slepé moduly I/O jsou nutné pro správné chlazení.) Volitelné dceřinné karty nainstalované v serverových modulech povolují I/O konektivitu.
- Dva moduly větráků systému vyměnitelné za provozu. Každý modul větráku má dva vyměnitelné větráky.
- Dva 2100 wattové zdroje energie vyměnitelné za provozu a dvě napájecí záslepky, nebo čtyři 2100 wattové zdroje energie vyměnitelné za provozu. Dva zdroje napájení poskytují energii systému; další dva zdroje energie zajišťují redundanci.





UPOZORNĚNÍ: 1200 wattové zdroje energie nejsou podporovány.

Funkce serverového modulu

- Jeden nebo dva kusy Intel® Xeon® Processor 5000 Sequence.
- Podpora pro symetrické multiprocesy (SMP), což značně zvyšuje celkovou výkonnost systému díky rozdělení operací procesoru mezi nezávislé procesory. Pro využití této funkce musíte použít operační systém, který podporuje multiprocesy.
- Minimálně 512 MB z 533-MHz nebo 677-MHz (je-li dostupné) DDR II plně-bufferovaných DIMM (FBD) paměťových modulů, rozšiřitelné na maximálně 32 GB po instalaci kombinací 256-MB, 512-MB, 1-GB, 2-GB, či 4-GB dvoucestných prokládaných paměťových modulů v osmi zdířkách pro paměťové moduly na desce systému.

Systém dále podporuje šetření paměti nebo zrcadlení paměti, pokud je všech osm modulových zdířek zaplněno totožnými paměťovými moduly.

- Podpora pro až dva 2,5-palcové, SAS nebo SATA pevné disky vyměnitelné za provozu.
-  **POZNÁMKA:** Pevné disky SAS a SATA nelze promíchat v rámci serverového modulu.
- Integrované interní zrcadlení mechaniky umožňuje zrcadlení dvou disků pomocí integrovaného ovladače RAID.
- Externí port pro podporu zařízení USB pomocí kabelu. USB zařízení jsou myš, klávesnice, flash disk, 1,44-Mb, 3,5-palcová disketová mechanika nebo optická mechanika.
-  **POZNÁMKA:** Podporovány jsou jen disketové USB mechaniky Dell; používejte jen kabel USB 2.0 s délkou nepřekračující 3 metry.
- Integrovaný video sub-systém kompatibilní s videem s ovladačem videa ATI ES1000. Tento video sub-systém obsahuje 16 MB paměti SDRAM (nerozšiřitelná). Maximální rozlišení je 1280 x 1024 x 65 000 barev (neprokládané).
- Obvody správy systémů, které monitorují funkci větráků systému a kritické napětí a teploty systému. Obvody správy systémů fungují ve spojení se softwarem správy vašeho systému.

Více informací o specifických funkcích naleznete v „Technická specifikace“.

Váš systém obsahuje následující software:

- Program nastavení systému pro rychlý přehled a změnu informací o konfiguraci systému. Více informací o tomto programu naleznete v „Používání programu na nastavení systému“ v *Příručce majitele hardwaru*.
- Zlepšené bezpečnostní funkce včetně systémového hesla a hesla pro nastavení, dostupné prostřednictvím programu pro nastavení systému.
- Diagnostika systému pro hodnocení součástí systému a zařízení. Informace o používání diagnostiky systému naleznete v „Používání diagnostiky systému“ v *Příručce majitele hardwaru*.
- Video ovladače pro zobrazování mnoha populárních aplikací v režimu vysokého rozlišení.
- Software a dokumentace správy systémů. Software správy systémů se používá pro správu a monitorování každého jednotlivého serverového modulu i systému jako celku včetně všech serverových modulů, síťových switch modulů, zdrojů napájení a větráků. Software pro správu systémů spravuje systém místně i vzdáleně na síti. Dell doporučuje používat software pro správu systémů dodávaný s tímto systémem.
- Software volitelných řešení pro web-hosting, ukládání do paměti cache nebo vyvažování zátěže. Více informací naleznete v dokumentaci k softwaru řešení

Podporované operační systémy

Váš systém podporuje následující operační systémy:


- Microsoft® Windows® 2000 Server a Advanced Server se Service Pack 4 nebo vyšší
- Microsoft Windows Server™ 2003 Standard Edition, Enterprise Edition, a Web Edition se Service Pack 1 nebo vyšší
- Microsoft Windows Server 2003, Standard a Enterprise x64 Edition
- Red Hat® Enterprise Linux AS, ES, a WS (verze 3) pro Intel x86

- Red Hat Enterprise Linux AS, ES, a WS (verze 4) pro Intel x86
- Red Hat Enterprise Linux pro Intel Extended Memory 64 Technology (Intel EM64T) AS, ES, a WS (verze 4)
- SuSE® Linux Enterprise Server 9 pro Intel EM64T

Další užitečné informace



POZOR: Informační příručka produktu obsahuje důležité bezpečnostní a právní informace. Informace o záruce je součástí tohoto dokumentu nebo je přiložena samostatně.

- *Návod pro instalaci do stojanu* nebo *Pokyny pro instalaci do stojanu* dodané s vaším stojanovým systémem popisují instalaci vašeho systému do stojanu.
 - *Uživatelská příručka k hardwaru* obsahuje informaci o funkcích systému a popisuje řešení problémů se systémem a instalaci nebo výměnu systémových komponent.
 - *Návod pro uživatele Dell OpenManage Baseboard Management Controller* poskytuje podrobné informace o používání BMC.
 - *Příručka pro uživatele Dell Remote Access Controller/Modular Chassis* poskytuje podrobné informace o používání funkcí dálkové správy systému.
 - *Příručka konfigurace* poskytuje informace o konfiguraci systému a serverových modulů ve vašem systému.
 - CD dodaná se systémem obsahují dokumentaci a nástroje pro konfiguraci a správu vašeho systému.
 - Dokumentace k software pro správu systémů popisuje funkce, požadavky, instalaci a základní provoz software.
 - Dokumentace operačního systému popisuje proces instalace (v nezbytném případě), konfigurace a používání softwaru operačního systému.
 - Dokumentace pro jakékoli součásti zakoupené odděleně poskytuje informace pro konfiguraci a instalaci těchto součástí.
 - S počítačem bývají dodávány aktualizace, které popisují změny v počítači, softwaru a/nebo v dokumentaci.
-  **POZNÁMKA:** Neustále kontrolujte aktualizace na support.dell.com a nejprve tyto aktualizace přečtěte, jelikož často nahrazují informace v jiných dokumentech.
- Poznámky a soubory „readme“ mohou být také součástí dodávky a obsahují poslední aktualizace k systému nebo dokumentaci, příp. rozšířené technické materiály určené zkušeným uživatelům a technikům.

Odborná pomoc

Nerozumíte-li některému z postupů popsaných v této příručce nebo nepracuje-li systém podle očekávání, nahlédněte do *Uživatelské příručky k hardwaru*.

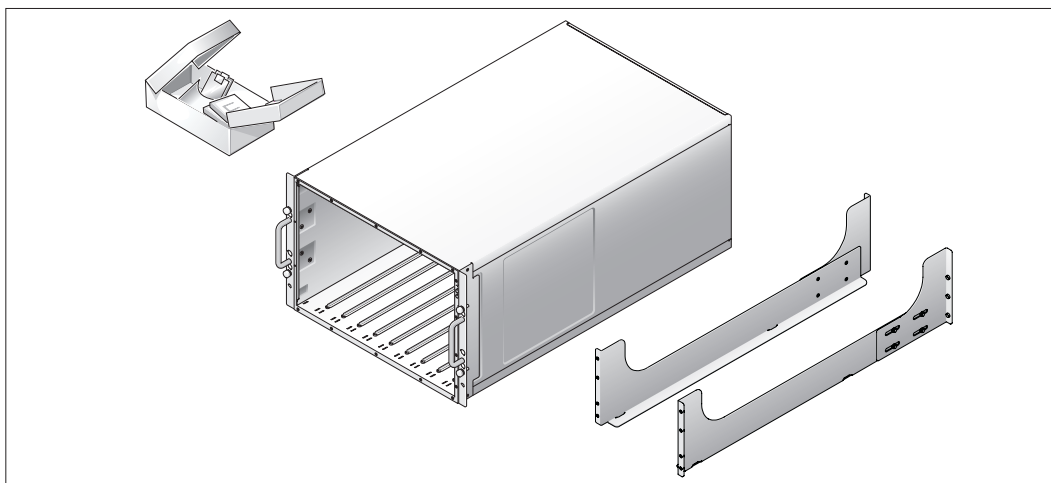
Společnosti Dell rovněž nabízí trénink a certifikaci (Dell Enterprise Training and Certification); pro více informací navštivte www.dell.com/training. Tato služba nemusí být nabízena ve všech regionech.

Instalace a konfigurace

⚠ POZOR: Před provedením následujícího postupu si přečtěte a postupujte podle následujících bezpečnostních pokynů a důležitých předpisů uvedených v *Informační příručce produktu*.

V této části jsou popsány kroky, které je nutné provést při první instalaci vašeho systému.

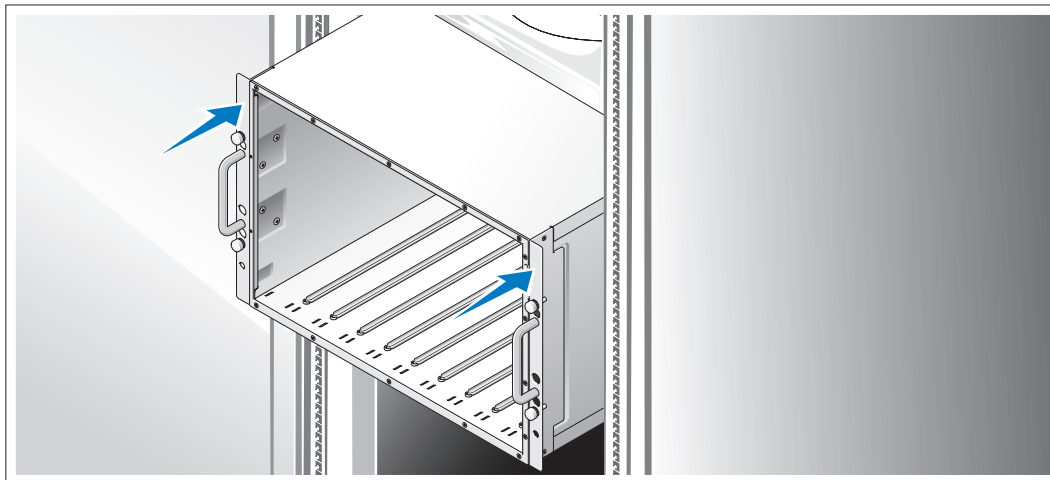
Rozbalení systému



- 1 Rozbalte systém a identifikujte jeho jednotlivé součásti.

Veškerý obalový materiál uschovejte pro případ pozdější potřeby.

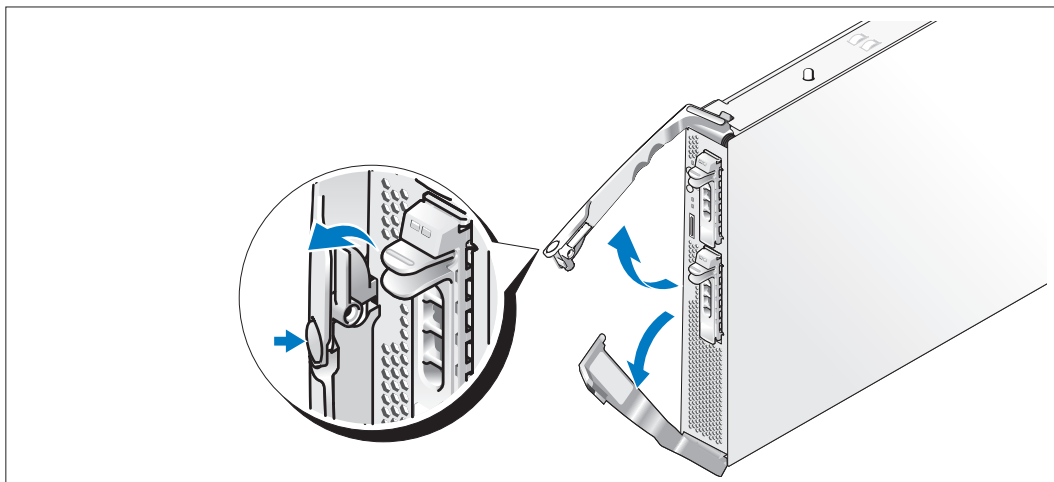
Instalujte systém do stojanu



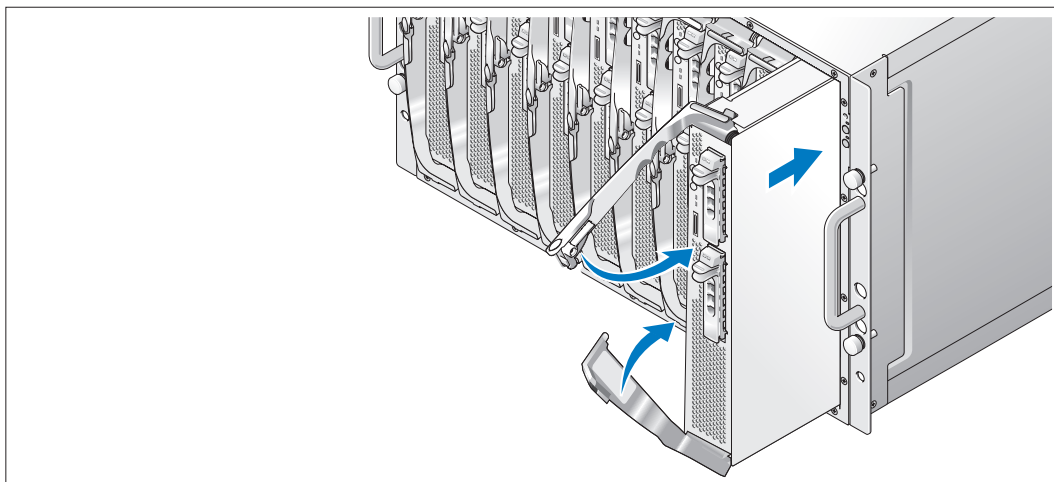
- 2 Nejprve si přečtěte „Bezpečnostní pokyny“ uvedené v instalační dokumentaci k systému, potom proveďte instalaci systému do stojanu.

Pokyny pro instalaci systému do stojanu naleznete v dokumentaci pro instalování stojanu.

Instalace modulu serveru

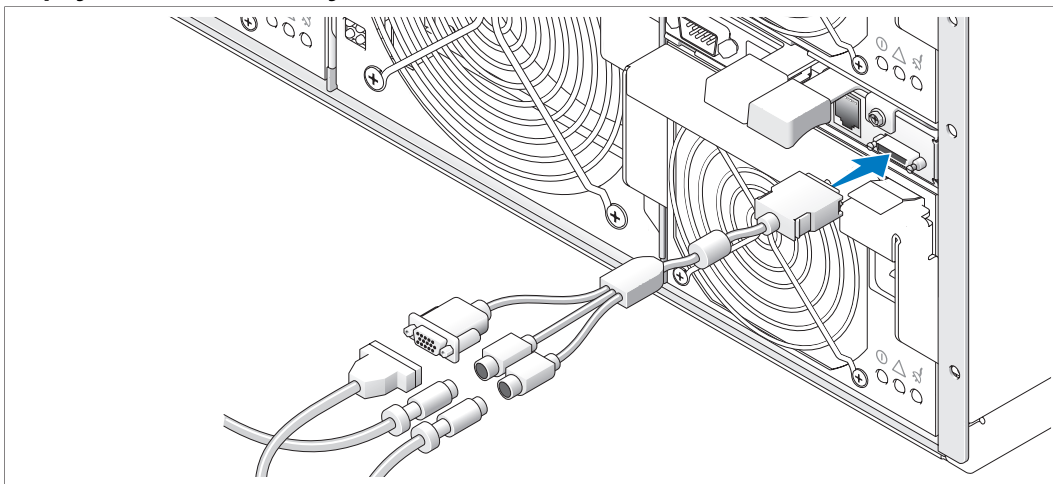


- 3** Před instalací modulů nasměrujte každý modul tak, aby na horní rukojeti bylo logo, a nápis „TOP-SIDE“ na okrajích modulu směřoval nahoru. Stlačte uvolňovací západku uvnitř horní rukojeti. Vytáhněte horní a dolní rukojeť.



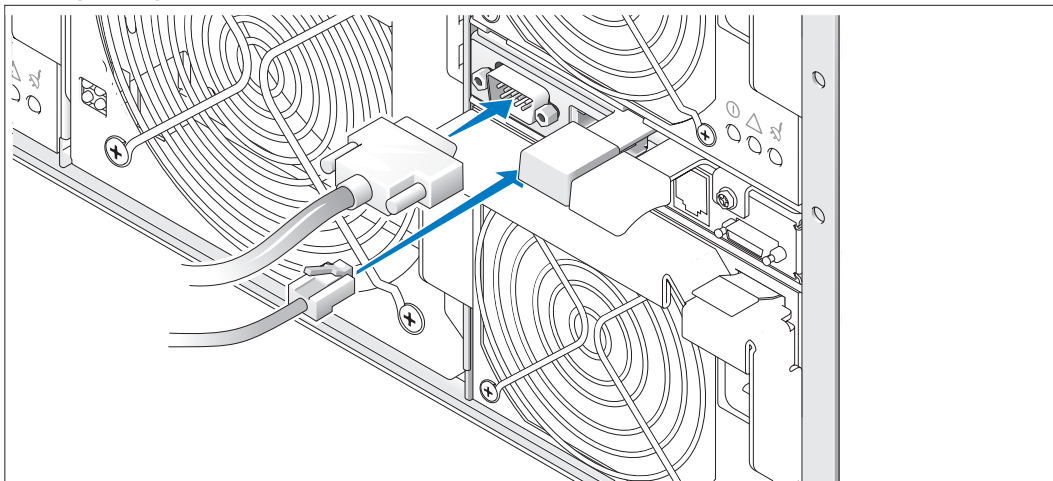
Postupujte zleva doprava a zasouvejte moduly do šasi. Jakmile se otevřené rukojeti dotknou předního panelu šasi, začněte otáčet společně rukojeťmi (dolní rukojeť se zavře jako první), dokud nebude dolní rukojeť lícovat s předním panelem modulu. Pokračujte v otáčení horní rukojeti dolů, dokud nebude lícovat s dolní rukojetí. (Jakmile jsou rukojeti řádně zavřené, uvolňovací západka zajistí obě rukojeti k přednímu panelu.)

Připojení klávesnice, myši a monitoru



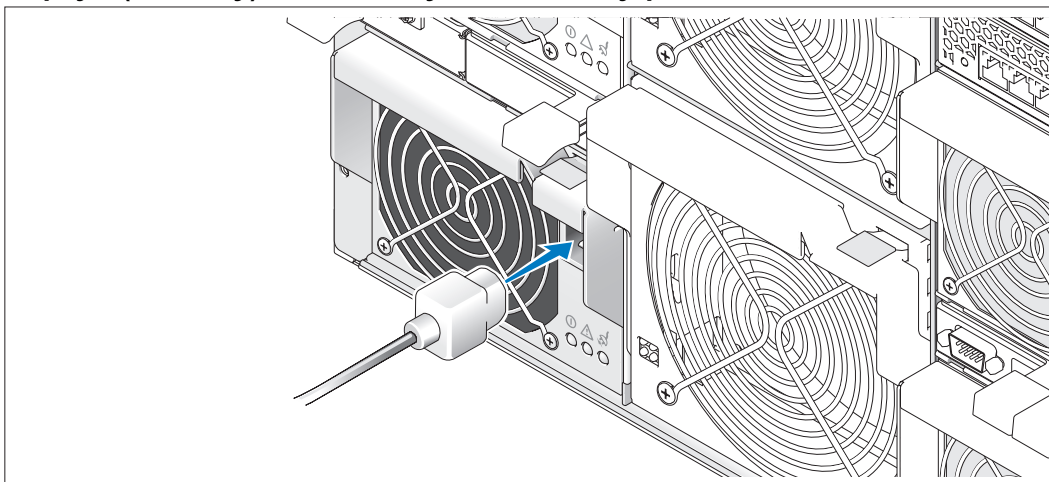
- 4 Připojte příložený kabel k modulu KVM a propojte konektory klávesnice, myši a monitoru (volitelné) ke kabelu.

Připojení systému pro správu



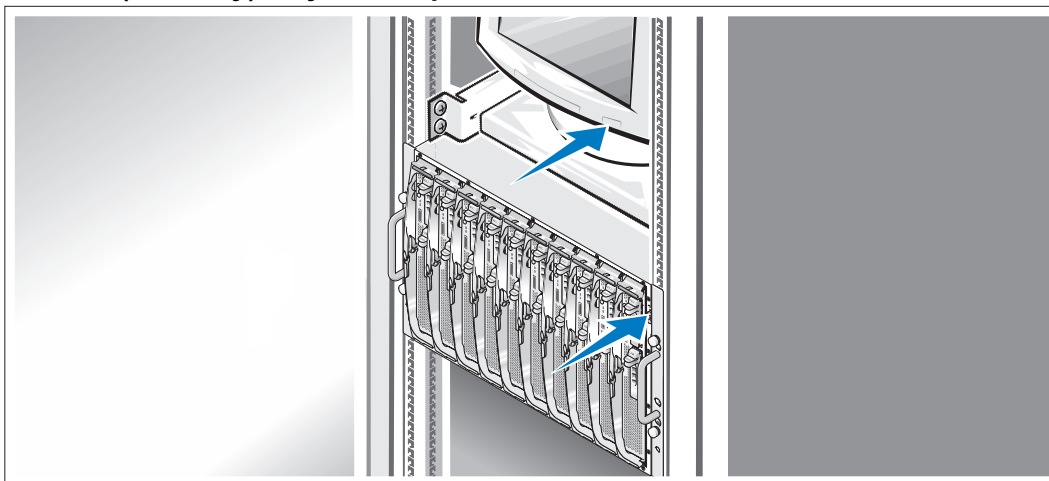
- 5 Připojení sériového kabelu a síťového kabelu z řídicího systému k modulu DRAC/MC.

Připojte (volitelný) monitor a systém ke zdroji proudu



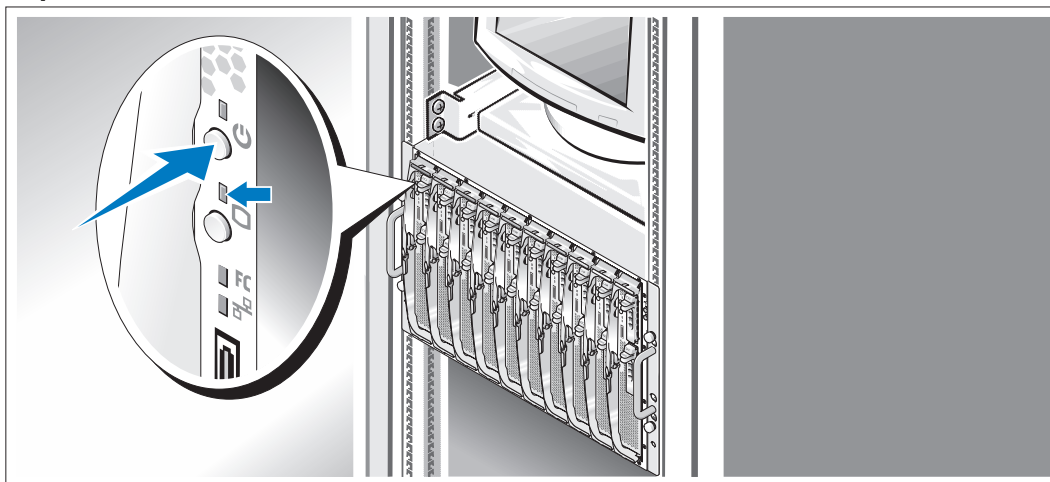
- 6 Zapojte napájecí kabel systému do systému. Poté zasuňte druhý konec kabelu do zásuvky ve zdi nebo jej připojte k samostatnému zdroji napájení, například k UPS (Uninterruptible Power Supply [zdroj nepřerušitelného napájení]) nebo jednotce rozváděče (PDU). Zapojte napájecí kabel monitoru do uzemněné elektrické zásuvky.

Monitor (volitelný) a systém zapněte



- 7 Stiskněte vypínač na monitoru a na šasi. Kontrolky napájení by se měly rozsvítit. Upravte ovládací prvky monitoru tak, aby byl obraz uspokojivý.

Zapnutí modulu serveru



- 8 Stiskněte napájecí tlačítko na každém modulu serveru nebo spusťte napájení modulů pomocí softwaru systémového řízení.

Indikátory KVM na modulech serveru označují, který modul serveru je zobrazen.

Upravte ovládací prvky monitoru tak, aby byl obraz uspokojivý.

Dokončete nastavení operačního systému

Pokud jste zakoupili předinstalovaný operační systém, prostudujte dokumentaci operačního systému dodávanou se systémem. Pro první instalaci operačního systému prostudujte *Rychlý návod na instalaci*. Dříve než začnete s instalací hardwaru či softwaru, který nebyl zakoupen společně se systémem, ujistěte se, že máte nainstalovaný operační systém.

Technická specifikace

Serverový modul

Procesor	
Typ procesoru	Až dva kusy Intel Xeon Processor 5000 Sequence.

Paměť	
Architektura	FBD DDR II DIMM, s dvoucestným prokládáním, určené pro 533- nebo 677-MHz (kde je k dispozici)
Zdíčky paměti modulu	Osm 240-kolíků
Kapacity paměti modulu	256 MB, 512 MB, 1 GB, 2 GB, nebo 4 GB
Minimum RAM	512 MB
Maximum RAM	32 GB

Disky	
Pevné disky	
Konfigurace SAS	Jeden nebo dva 2,5-palcové pevné disky vyměnitelné za provozu
Konfigurace SATA	Jeden nebo dva 2,5-palcové pevné disky vyměnitelné za provozu
	POZNÁMKA: Pevné disky SAS a SATA nelze promíchat v rámci serverového modulu.

Konektory	
Externě přístupné	
Předek	
Uživatel	Podporuje dvě USB zařízení a video přes uživatelský kabel

Video	
Typ videa	ATI ES1000 ovladač videa
Paměť videa	16 MB

Rozměry

Výška	28,575 cm
Šířka	4,241 cm
Hloubka	50,8 cm
Hmotnost (max. konfigurace)	7,257 kg

Baterie

Baterie serverového modulu	CR 2032 3.0-V plochý lithium-ionový článek
----------------------------	--

System

Systémové uzavření

Výška	31,038 cm
Šířka	42,519 cm
Hloubka	76,2 cm
Hmotnost (max. konfigurace)	129,274 kg

Specifikace zdroje napájení

Zdroj napájení AC (na zdroj napájení)

Výkon	2100 W
Napětí	170–264 VAC, 50/60 Hz, 15,8 A při 170 VAC, 9,9 A při 264 VAC
Odvod tepla	3480 BTU/h. maximum
Maximální nárazový proud	Za typických podmínek připojení a při provozním rozpětí okolí celého systému může nárazový proud dosáhnout 55 A na každý zdroj napájení po dobu 10 ms nebo méně.

Rozměry

Výška	9,70 cm
Šířka	12,90 cm
Hloubka	23,01cm
Hmotnost	3,288 kg

Modul větráku

Rozměry

Výška	14,732 cm
Šířka	15,748 cm
Hloubka	27,305 cm
Hmotnost	2,948 kg

Modul KVM

Externě přístupné konektory

Uživatel	Uživatelský kabel používaný pro dva PS/2 a jedno video
Port ACI	RJ-45 (Avocent Analog KVM jen switch)
Ethernet	RJ-45 (Avocent Digital Access KVM jen switch)

Rozměry

Výška	2,54 cm
Šířka	5,334 cm
Hloubka	28,194 cm
Hmotnost	0,272 kg

Modul DRAC/MC

Externě přístupné konektory

Vzdálená správa	Vyhrazený 10/100 RJ-45 (pro integrovaný ovladač dálkového přístupu k Ethernetu)
Sériový	9-kolíkový, DTE, 16550 kompatibilní

Baterie

Baterie modulu	CR 2032 3.0-V plochý lithium-ionový článek
----------------	--

Rozměry

Výška	2,54 cm
Šířka	7,493 cm
Hloubka	26,03 cm
Hmotnost	0,363 kg

PowerConnect 5316M Ethernet Switch Modul

Externě přístupné konektory

Gb 10/100/1000 Mbps Ethernet	Šest vzestupných samovyjednávajících RJ-45
------------------------------	--

Rozměry

Výška	3,302 cm
Šířka	13,081 cm
Hloubka	27,432 cm
Hmotnost	0,816 kg

Gb Ethernet Pass-Through Modul

Externě přístupné konektory

Ethernet	Deset vzestupných RJ-45 (pro integrované 1-Gbps NICs)
----------	--

POZNÁMKA: Průchozí vzestupná spojení podporují jen spojení 1000 Mbps.

Rozměry

Výška	3,302 cm
Šířka	13,081 cm
Hloubka	27,432 cm
Hmotnost	0,816 kg

Průchozí modul s fibrovým kanálem

Externě přístupné konektory

Vysílač s fibrovým kanálem	Deset 76-kolíkových, 3,5 Gbps, GPIO vysílačích zásuvek
----------------------------	--

Rozměry

Výška	3,302 cm
Šířka	13,081 cm
Hloubka	27,432 cm
Hmotnost	0,816 kg

Switch modul s fibrovým kanálem

Externě přístupné konektory

Fibrový kanál	Čtyři univerzální (E, F a FL) samocitlivé porty
1/2/4 Gb/s Ethernet	RJ-45

Rozměry

Výška	3,302 cm
Šířka	13,081 cm
Hloubka	27,432 cm
Hmotnost	1,06 kg

Průchozí modul Infiniband

Externě přístupné konektory

Infiniband	Deset portů 4X
------------	----------------

Rozměry

Výška	3,302 cm
Šířka	13,081 cm
Hloubka	27,432 cm
Hmotnost	1,8 kg

Prostředí

POZNÁMKA: Další informace o měřeních prostředí pro specifické systémové konfigurace naleznete na www.dell.com/environmental_datasheets. Systém se nemá používat v kancelářském prostředí.

Teplota

Provozní	10° až 35°C (50° až 35,00°C) POZNÁMKA: Snižte nejvyšší teplotu o 1°C na každých 300 m nad 900 m.
Skladovací	-40° až 65°C (-40° až 149°F)

Relativní vlhkost

Provozní	8% až 85% (nekondenzující) s maximální stoupavostí vlhkosti 10% za hodinu
Skladovací	5% až 95% (bez kondenzace)

Maximální vibrace

Provozní	0,25 G při 3-200 Hz po dobu 15 min
Skladovací	0,5 G při 3-200 Hz po dobu 15 min

Maximální otřes

Provozní	Jeden nárazový pulz v kladné ose z (jeden pulz na každé straně systému) v hodnotě 41 G po nejvýše 2 ms
Skladovací	Šest následně po sobě provedených nárazových pulzů v pozitivní a negativní ose x, y a z (jeden pulz na každé straně systému) v hodnotě 71 G po nejvýše 2 ms

Nadmořská výška

Provozní	-16 až 3048 m (-50 až 10000 stop)
Skladovací	-16 až 10600 m (-50 až 35000 stop)

Guide de mise en route

Remarques, avis et précautions



REMARQUE : une REMARQUE indique des informations importantes qui peuvent vous aider à mieux utiliser votre ordinateur.



AVIS : un AVIS vous avertit d'un risque de dommage matériel ou de perte de données et vous indique comment éviter le problème.



PRÉCAUTION : une PRÉCAUTION indique un risque potentiel d'endommagement du matériel, de blessure corporelle ou de mort.

Les informations contenues dans ce document peuvent être modifiées sans préavis.

© 2006 Dell Inc. Tous droits réservés.

La reproduction de ce document de quelque manière que ce soit sans l'autorisation écrite de Dell Inc. est strictement interdite.

Marques utilisées dans ce document : *Dell*, le logo *DELL* et *Dell OpenManage* sont des marques de Dell Inc. ; *Microsoft* et *Windows* sont des marques déposées de Microsoft Corporation ; *Windows Server* est une marque de Microsoft Corporation ; *Intel* et *Xeon* sont des marques déposées de Intel Corporation ; *SUSE* est une marque déposée de Novell, Inc. ; *Red Hat* est une marque déposée de Red Hat, Inc.

Tous les autres noms de marques et marques commerciales utilisés dans ce document se rapportent aux sociétés propriétaires des marques et des noms de ces produits. Dell Inc. décline tout intérêt dans l'utilisation des marques déposées et des noms de marques ne lui appartenant pas.

Modèle BMX

Janvier 2006

P/N FD316

Rev. A00

Caractéristiques du système

Cette section décrit les principales caractéristiques du système sur le plan matériel et logiciel. Elle contient également des informations sur les autres documents utiles à la configuration du système et sur l'obtention d'assistance technique.

- Le système prend en charge jusqu'à 10 modules serveurs. Le châssis peut accueillir de un à dix modules serveurs. (Si moins de 10 modules sont installés, les emplacements vides doivent contenir un cache pour assurer un refroidissement correct du système.)
- Le module DRAC/MC (Dell™ Remote Access Controller/Modular Chassis) permet d'utiliser les fonctions logicielles de gestion des systèmes.
 - Pour accéder aux fonctions de gestion des systèmes, connectez le câble null modem fourni avec le système entre le port série et un PC externe. Vous pouvez aussi obtenir des informations sur la gestion des systèmes à l'aide d'un navigateur Web connecté au port de gestion RJ-45. Le logiciel de gestion des systèmes contrôle le système et l'état des modules serveurs.
 - Des circuits intégrés de gestion de systèmes surveillent le fonctionnement des ventilateurs, ainsi que les tensions et les températures critiques des systèmes. Ce circuit de surveillance fonctionne de pair avec le logiciel de gestion de systèmes.
- Le système prend en charge la connectivité des E-S (modules d'intercommunication et de commutation réseau inclus). Il est possible d'installer jusqu'à 4 modules d'E-S. (Si moins de 4 modules sont installés, les emplacements vides doivent contenir un cache pour assurer un refroidissement correct du système.) Des cartes filles (en option) installées dans les modules serveurs permettent d'activer la connectivité des E-S.
- Le système contient deux modules de ventilation enfichables à chaud. Chaque module de ventilation contient deux ventilateurs amovibles.
- Le système peut contenir deux blocs d'alimentation enfichables à chaud de 2100 watts et deux caches, ou quatre blocs d'alimentation enfichables à chaud de 2100 watts. Deux modules alimentent le système tandis que les deux autres fournissent une redondance.




AVIS : les blocs d'alimentation de 1200 watts ne sont pas pris en charge.

Caractéristiques du module serveur

- Un ou deux processeurs Intel® Xeon® 5000.
- Prise en charge du multi-traitement symétrique (SMP), qui améliore considérablement les performances du système en partageant les tâches des processeurs entre des processeurs indépendants. Pour utiliser cette fonctionnalité, vous devez utiliser un système d'exploitation prenant en charge le multi-traitement symétrique.
- Un minimum de 512 Mo sous forme de barrettes de mémoire FB-DIMM (Fully Buffered DIMM) DDR II (533 ou 677 MHz, selon disponibilité), extensibles à un maximum de 32 Go via l'installation de combinaisons de barrettes à deux voies avec imbrication, de 256 Mo, 512 Mo, 1 Go, 2 Go ou 4 Go, dans les huit emplacements de la carte système.

Si les huit emplacements mémoire contiennent des modules identiques, il est possible d'utiliser une mémoire de réserve ou une mise en miroir.

- Prise en charge de deux disques durs SAS ou SATA enfichables à chaud de 2,5 pouces.
- La fonction de mise en miroir intégrée permet de mettre en miroir deux disques par l'intermédiaire du contrôleur RAID intégré.
- Port externe permettant de connecter des périphériques USB à l'aide du câble modulable (souris, clavier, lecteur flash, lecteur de disquette de 1,44 Mo/3,5 pouces ou lecteur optique).

 **REMARQUE** : seuls les lecteurs optiques et les lecteurs de disquette USB fournis par Dell sont pris en charge. Utilisez uniquement un câble compatible USB 2.0 d'une longueur maximale de 3 mètres (118,1 pouces).

- Sous-système vidéo intégré compatible VGA, comprenant un contrôleur vidéo ATI ES1000. Ce sous-système vidéo contient 16 Mo de mémoire vidéo SDRAM (non extensible). La résolution maximale est de 1280 x 1024 x 65 000 couleurs (non-entrelacé).
- Des circuits intégrés de gestion de systèmes surveillant le fonctionnement des ventilateurs, ainsi que les tensions et les températures critiques. Ces circuits de surveillance fonctionnent de pair avec les logiciels de gestion de systèmes.

Pour plus d'informations sur des caractéristiques spécifiques, voir la section “Spécifications techniques”.

Les logiciels suivants sont livrés avec le système :

- Programme de configuration du système permettant de consulter et de modifier rapidement les informations sur la configuration du système. Pour plus d'informations, voir le chapitre “Utilisation du programme de configuration du système”, dans le *Manuel du propriétaire*.
- Fonctions de sécurité améliorées, disponibles dans le programme de configuration du système, permettant de définir un mot de passe système et un mot de passe de configuration.
- Diagnostics permettant de tester les composants et les périphériques du système. Pour plus d'informations sur l'utilisation des diagnostics, voir la section “Exécution des diagnostics du système” dans le *Manuel du propriétaire*.
- Des pilotes vidéo permettant d'afficher les programmes d'application les plus courants en modes haute résolution.
- Logiciels de gestion de systèmes et documentation associée. Les logiciels de gestion des systèmes permettent de gérer et de surveiller chaque module serveur de façon individuelle, mais aussi le système dans son ensemble, en incluant les modules serveurs, les modules de commutation réseau, les blocs d'alimentation et les ventilateurs. Ils peuvent être utilisés pour gérer le système localement ou à distance via le réseau. Dell recommande d'utiliser les logiciels de gestion fournis avec le système.
- Solutions en option pour l'hébergement Web, la mise en cache et l'équilibrage de charge. Consultez la documentation des logiciels pour plus d'informations.

Systèmes d'exploitation pris en charge

Le système prend en charge les systèmes d'exploitation suivants :

- Microsoft® Windows® 2000 Server et Advanced Server avec Service Pack 4 ou suivant
- Microsoft Windows Server™ 2003 Standard Edition, Enterprise Edition et Web Edition avec Service Pack 1 ou suivant
- Microsoft Windows Server 2003 Standard Edition et Enterprise x64 Edition
- Red Hat® Enterprise Linux AS, ES et WS (version 3) pour Intel x86
- Red Hat Enterprise Linux AS, ES et WS (version 4) pour Intel x86
- Red Hat Enterprise Linux pour Intel EM64T (Intel Extended Memory 64 Technology) AS, ES et WS (version 4)
- SuSE® Linux Enterprise Server 9 pour Intel EM64T


Autres informations utiles



PRÉCAUTION : le *Guide d'informations sur le produit* contient d'importantes informations se rapportant à la sécurité et aux réglementations. Les informations sur la garantie se trouvent soit dans ce document, soit à part.

- Le document *Instructions d'installation du rack* ou le *Guide d'installation du rack* fournis avec la solution rack décrivent l'installation du système.
- Le *Manuel du propriétaire* contient des informations sur les caractéristiques du système, ainsi que des instructions relatives au dépannage et à l'installation ou au remplacement de composants.
- Le document *Dell OpenManage Baseboard Management Controller User's Guide* (Guide d'utilisation du contrôleur BMC Dell OpenManage) contient des informations détaillées sur l'utilisation du contrôleur BMC.
- Le document *Dell Remote Access Controller/Modular Chassis User's Guide* (Guide d'utilisation du module DRAC/MC) contient des informations détaillées sur l'utilisation des fonctions de gestion à distance du système.
- Le document *Configuration Guide* (Guide de configuration) contient des informations sur la configuration du système et des modules serveurs.
- Les CD fournis avec le système contiennent des documents et des outils relatifs à la configuration et à la gestion du système.
- La documentation du logiciel de gestion de systèmes comprend des renseignements sur les fonctionnalités, les spécifications, l'installation et le fonctionnement de base du logiciel.
- La documentation du système d'exploitation décrit comment installer (au besoin), configurer et utiliser le système d'exploitation.
- La documentation fournie avec les composants achetés séparément contient des informations permettant de configurer et d'installer ces options.

- Des mises à jour sont parfois fournies avec le système. Elles décrivent les modifications apportées au système, aux logiciels ou à la documentation.

 **REMARQUE** : vérifiez toujours si des mises à jour sont disponibles sur le site support.dell.com et lisez-les en premier, car elles remplacent souvent les informations contenues dans les autres documents.


- Des notes de version ou des fichiers lisez-moi (readme) sont parfois fournis ; ils contiennent des mises à jour de dernière minute apportées au système ou à la documentation, ou des documents de référence technique avancés destinés aux utilisateurs expérimentés ou aux techniciens.

Obtention d'une assistance technique

Si vous ne comprenez pas une procédure décrite dans ce guide ou si le système ne réagit pas comme prévu, consultez le *Manuel du propriétaire*.

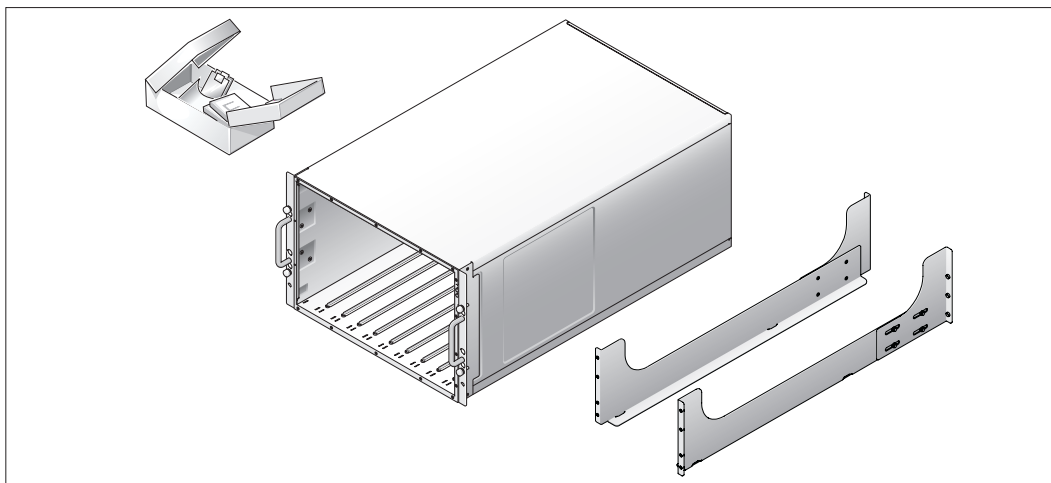
Des formations et certifications Dell Enterprise sont disponibles. Pour plus d'informations, consultez le site www.dell.com/training. Ce service n'est disponible que dans certains pays.

Installation et configuration

 **PRÉCAUTION** : avant d'exécuter la procédure suivante, lisez les consignes de sécurité et les informations importantes sur les réglementations figurant dans le *Guide d'informations sur le produit*. Veillez à les respecter scrupuleusement.

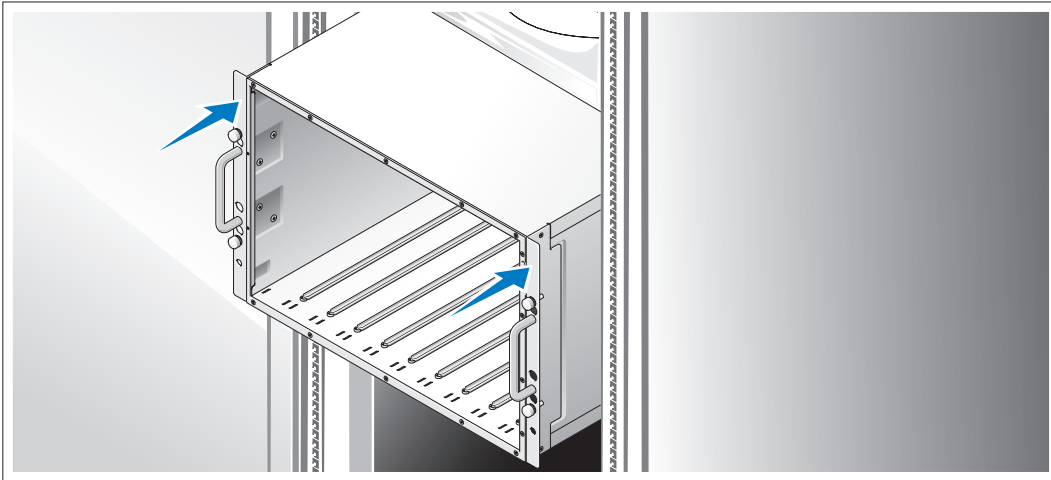
Cette section décrit les étapes à exécuter lors de la configuration initiale du système.

Déballage du système



- 1 Sortez le système de son emballage et identifiez chaque élément fourni.
Conservez les matériaux d'emballage au cas où vous en auriez besoin ultérieurement.

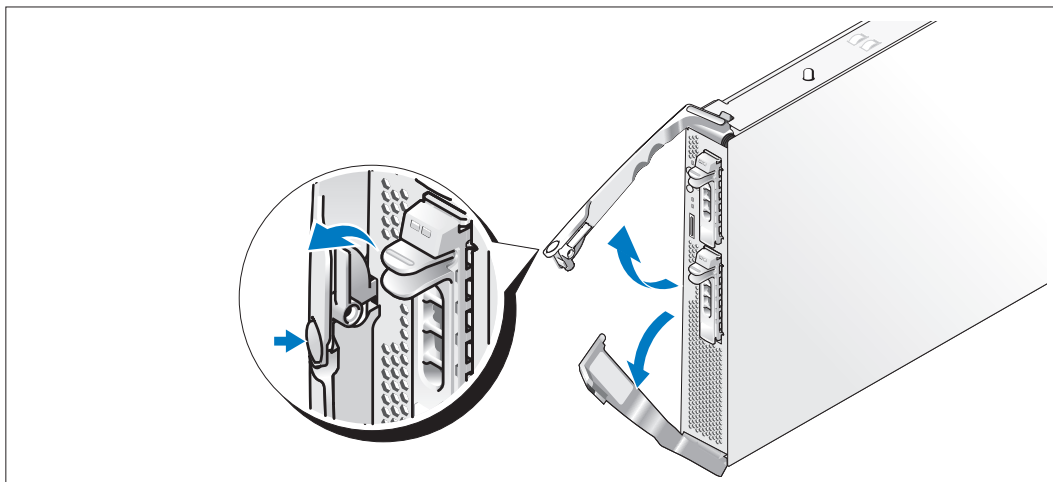
Installation du système dans un rack



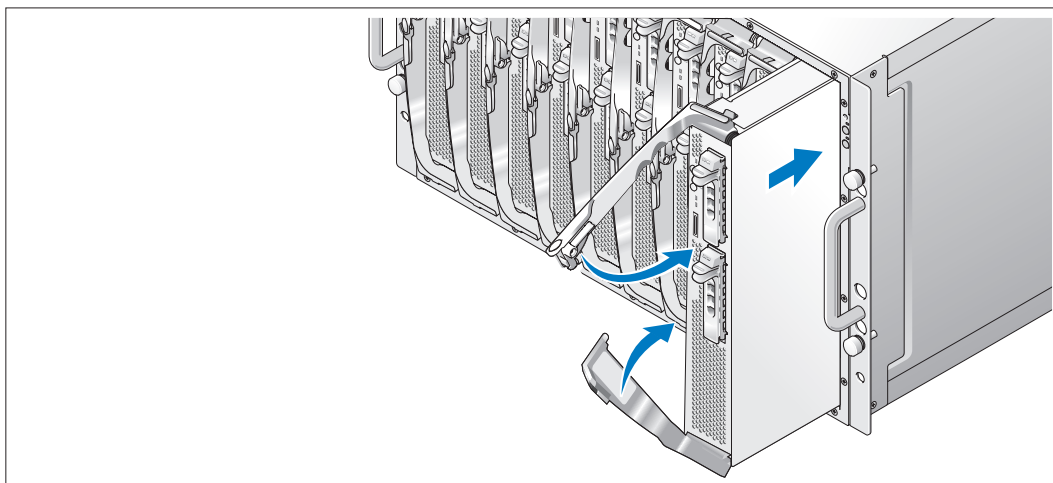
- 2 Commencez par lire les consignes de sécurité qui se trouvent dans la documentation d'installation du rack, puis installez le système dans le rack.

Consultez la documentation d'installation du rack pour obtenir les instructions appropriées.

Installation des modules serveurs

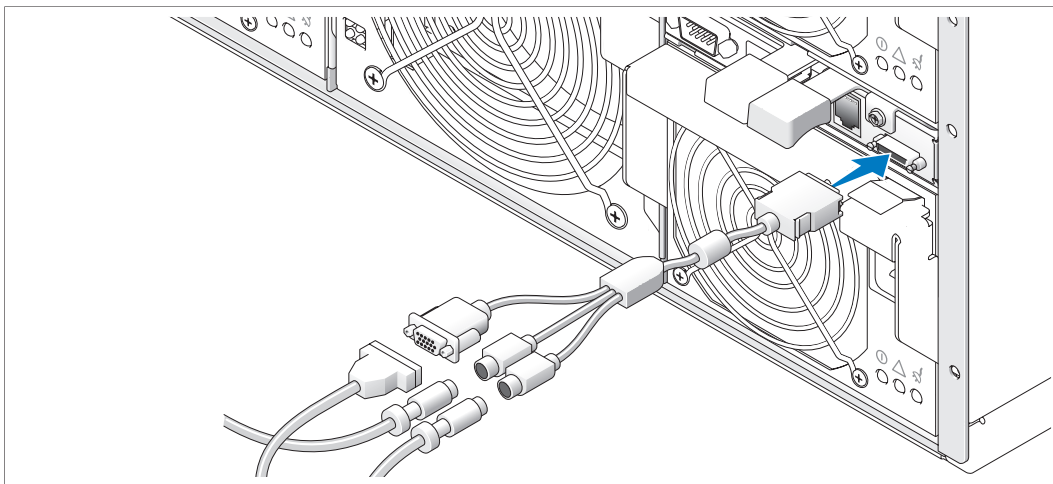


- 3 Avant d'installer chaque module, orientez-le de sorte que la poignée comportant le logo soit placée sur le dessus. L'inscription "TOP-SIDE" doit être orientée vers le haut. Appuyez sur la patte de dégagement située sur la face intérieure de cette poignée. Tirez les poignées supérieure et inférieure.



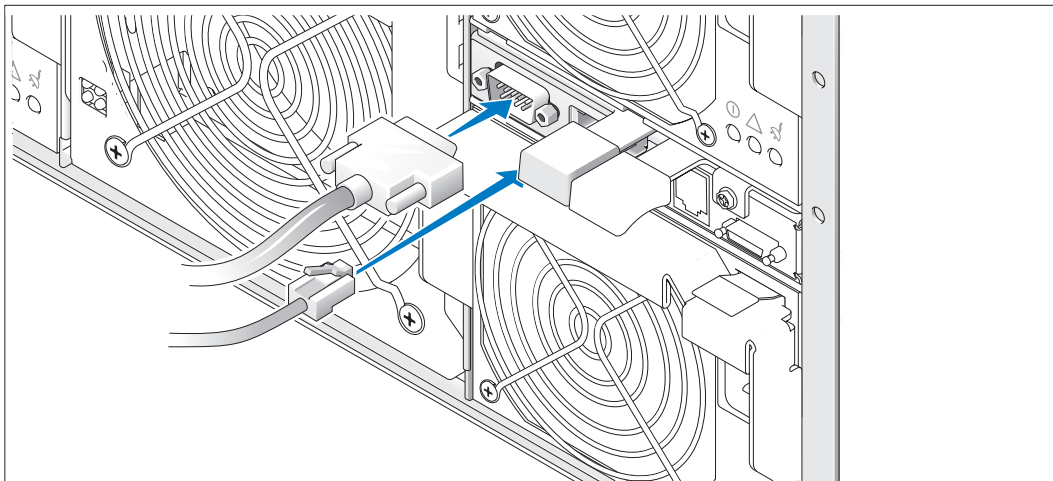
Insérez les modules dans le châssis, en procédant de gauche à droite. Lorsque les poignées ouvertes touchent le panneau avant du châssis, commencez à les faire pivoter en même temps (la poignée inférieure se ferme la première), jusqu'à ce que la poignée inférieure soit calée contre le panneau avant du module. Continuez à pousser la poignée supérieure vers le bas jusqu'à ce qu'elle se cale contre la poignée inférieure. Lorsque les poignées sont correctement fermées, le loquet de dégagement les maintient sur le panneau avant.

Connexion du clavier, de la souris et du moniteur



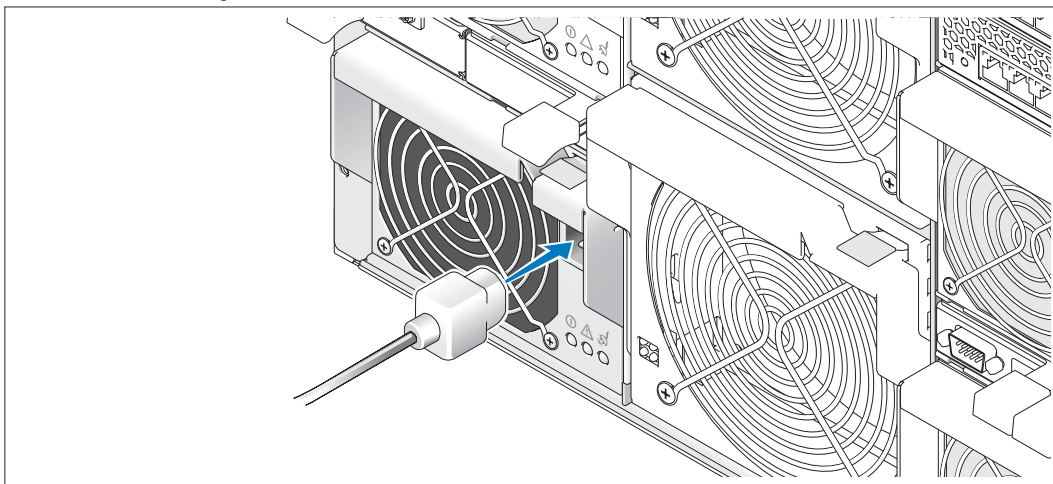
- 4 Connectez le câble modulable au module KVM puis connectez le clavier, la souris et le moniteur (facultatif) au câble.

Connexion du système de gestion



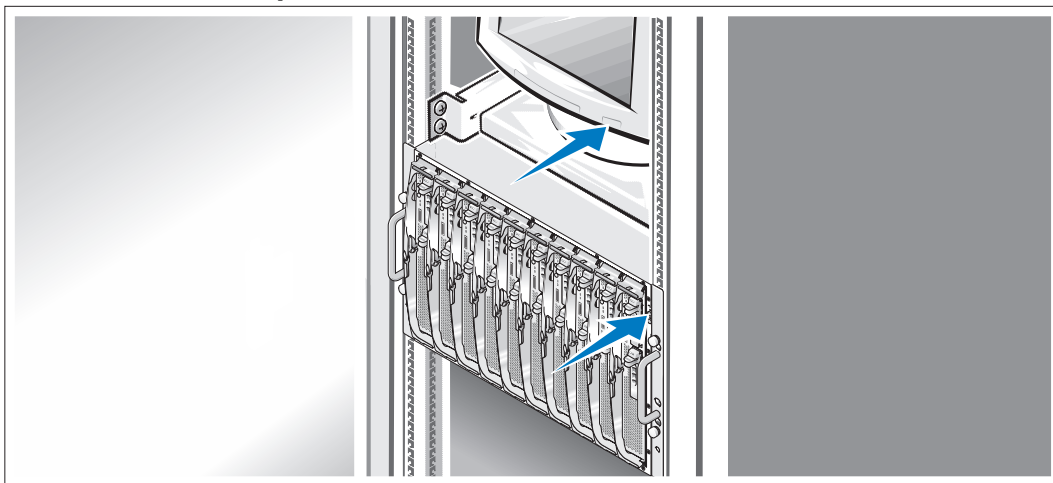
- 5 Connectez les câbles série et réseau du système de gestion au module DRAC/MC.

Branchement du système et du moniteur (facultatif) sur le secteur



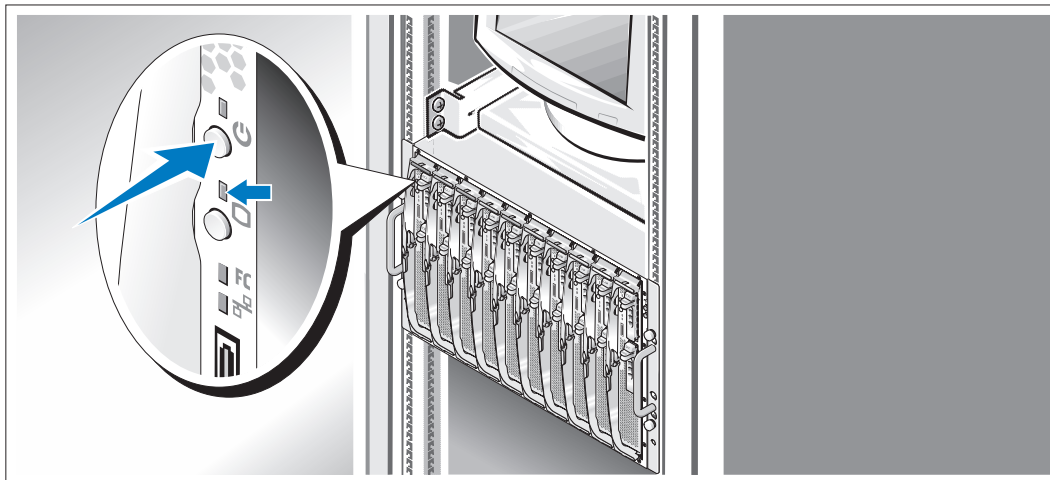
- 6 Branchez le(s) cordon(s) d'alimentation sur le système. Branchez ensuite l'autre extrémité du cordon sur une prise de courant mise à la terre ou sur une source d'alimentation autonome (onduleur ou unité de distribution de l'alimentation). Branchez le cordon d'alimentation du moniteur sur une prise de courant mise à la terre.

Mise sous tension du système et du moniteur (facultatif)



- 7 Appuyez sur le bouton d'alimentation du châssis et sur celui du moniteur. Les voyants d'alimentation doivent s'allumer. Réglez le moniteur jusqu'à ce que l'image affichée soit correcte.

Mise sous tension des modules serveurs



- 8 Mettez chaque module serveur sous tension en appuyant sur le bouton d'alimentation, ou en utilisant le logiciel de gestion des systèmes.

Les voyants KVM des modules serveurs indiquent le module auquel correspond l'image affichée.

Réglez le moniteur jusqu'à ce que l'image affichée soit correcte.

Finalisation de l'installation du système d'exploitation

Si vous avez acheté un système d'exploitation préinstallé, consultez tout d'abord la documentation correspondante, qui vous a été fournie avec le système. Si vous installez un système d'exploitation pour la première fois, consultez le document *Quick Installation Guide* (Guide d'installation rapide). Veillez à installer le système d'exploitation avant tout élément matériel ou logiciel acheté séparément.

Spécifications techniques

Module serveur

Processeur

Type de processeur	Jusqu'à deux processeurs Intel Xeon 5000 Sequence
--------------------	---

Mémoire

Architecture	Barrettes FB-DIMM DDR II à deux voies avec imbrication (533 ou 677 MHz, selon disponibilité)
Supports de module de mémoire	Huit à 240 broches
Modules mémoire compatibles	256 Mo, 512 Mo, 1 Go, 2 Go ou 4 Go
RAM minimale	512 Mo
RAM maximale	32 Go

Lecteurs

Disques durs

Configuration SAS	Un ou deux disques durs enfichables à chaud de 2,5 pouces
Configuration SATA	Un ou deux disques durs enfichables à chaud de 2,5 pouces

REMARQUE : un module serveur ne peut pas contenir à la fois des disques durs de type SAS et SATA.

Connecteurs

Accessibles de l'extérieur

À l'avant

Modulable	Prend en charge deux périphériques USB et un périphérique vidéo, à l'aide du câble modulable
-----------	--

Vidéo

Type de vidéo	Contrôleur vidéo ATI ES1000
Mémoire vidéo	16 Mo

Caractéristiques physiques

Hauteur	28,575 cm (11,25 pouces)
Largeur	4,241 cm (1,67 pouce)
Profondeur	50,8 cm (20 pouces)
Poids (configuration maximale)	7,257 kg (16 livres)

Pile

Pile du module serveur	Pile bouton au lithium-ion CR 2032 (3,0 V)
------------------------	--

Système

Châssis du système

Hauteur	31,038 cm (12,22 pouces)
Largeur	42,519 cm (16,74 pouces)
Profondeur	76,2 cm (30 pouces)
Poids (configuration maximale)	129,274 kg (285 livres)

Module d'alimentation

Bloc d'alimentation CA (selon la tension en vigueur)

Puissance	2100 W
Tension	170-264 VCA, 50/60 Hz, 15,8 A à 170 VCA, 9,9 A à 264 VCA
Dissipation thermique	3480 BTU/heure maximum (877 kcal/h)
Appel de courant maximal	Dans des conditions de lignes typiques et dans toute la gamme ambiante de fonctionnement du système, l'appel de courant peut atteindre 55 A par bloc d'alimentation pendant un maximum de 10 ms.

Caractéristiques physiques

Hauteur	9,70 cm (3,82 pouces)
Largeur	12,90 cm (5,08 pouces)
Profondeur	23,01cm (9,06 pouces)
Poids	3,288 kg (7,25 livres)

Module de ventilation

Caractéristiques physiques

Hauteur	14,732 cm (5,8 pouces)
Largeur	15,748 cm (6,2 pouces)
Profondeur	27,305 cm (10,75 pouces)
Poids	2,948 kg (6,5 livres)

Module KVM

Connecteurs accessibles de l'extérieur

Modulable	Câble modulable pour la connexion de deux périphériques PS/2 et d'un périphérique vidéo
Port ACI	RJ-45 (commutateur KVM analogique Avocent uniquement)
Ethernet	RJ-45 (commutateur KVM à accès numérique Avocent uniquement)

Caractéristiques physiques

Hauteur	2,54 cm (1 pouce)
Largeur	5,334 cm (2,1 pouces)
Profondeur	28,194 cm (11,1 pouces)
Poids	0,272 kg (0,6 livre)

Module DRAC/MC

Connecteurs accessibles de l'extérieur

Gestion à distance	RJ-45 10/100 dédié (pour contrôleur RAC Ethernet intégré)
Série	Connecteur DTE à 9 broches, compatible 16550

Pile

Pile du module	Pile bouton au lithium-ion CR 2032 (3,0 V)
----------------	--

Caractéristiques physiques

Hauteur	2,54 cm (1 pouce)
Largeur	7,493 cm (2,95 pouces)
Profondeur	26,03 cm (10,35 pouces)
Poids	0,363 kg (0,8 livre)

Module commutateur Ethernet PowerConnect 5316M

Connecteurs accessibles de l'extérieur

Ethernet Gigabit 10/100/1000 Mbps Six entrées RJ-45 à négociation automatique

Caractéristiques physiques

Hauteur 3,302 cm (1,3 pouce)
Largeur 13,081 cm (5,15 pouces)
Profondeur 27,432 cm (10,8 pouces)
Poids 0,816 kg (1,8 livre)

Module d'intercommunication Ethernet Gigabit

Connecteurs accessibles de l'extérieur

Ethernet Dix entrées RJ-45 (pour NIC intégrés 1 Gigabit)

REMARQUE : les entrées du module d'intercommunication ne prennent en charge que les connexions à 1000 Mbps.

Caractéristiques physiques

Hauteur 3,302 cm (1,3 pouce)
Largeur 13,081 cm (5,15 pouces)
Profondeur 27,432 cm (10,8 pouces)
Poids 0,816 kg (1,8 livre)

Module d'intercommunication Fibre Channel

Connecteurs accessibles de l'extérieur

Émetteur-récepteur Fibre Channel Dix connecteurs GPIO à 76 broches/3,5 Gbps

Caractéristiques physiques

Hauteur 3,302 cm (1,3 pouce)
Largeur 13,081 cm (5,15 pouces)
Profondeur 27,432 cm (10,8 pouces)
Poids 0,816 kg (1,8 livre)

Module commutateur Fibre Channel

Connecteurs accessibles de l'extérieur

Fibre Channel	Quatre ports universels à détection automatique (E, F et FL)
Ethernet 1/2/4 Gb/s	RJ-45

Caractéristiques physiques

Hauteur	3,302 cm (1,3 pouce)
Largeur	13,081 cm (5,15 pouces)
Profondeur	27,432 cm (10,8 pouces)
Poids	1,06 kg (2,35 livres)

Module d'intercommunication Infiniband

Connecteurs accessibles de l'extérieur

Infiniband	Dix ports 4X
------------	--------------

Caractéristiques physiques

Hauteur	3,302 cm (1,3 pouce)
Largeur	13,081 cm (5,15 pouces)
Profondeur	27,432 cm (10,8 pouces)
Poids	1,8 kg (4 livres)

Environnement

REMARQUE : pour plus d'informations concernant les mesures d'exploitation liées à différentes configurations spécifiques, rendez-vous sur le site www.dell.com/environmental_datasheets.

Le système n'est pas conçu pour être utilisé dans un bureau.

Température

En fonctionnement

De 10° à 35° C (50 à 95° F)

REMARQUE : au-dessus de 900 m (2955 pieds), la température maximale doit être diminuée de 1°C (1,8°F) tous les 300 m (985 pieds).

Stockage

De -40° à 65° C (-40° à 149° F)

Humidité relative

En fonctionnement

De 8% à 85% (sans condensation) avec un gradient d'humidité maximal de 10% par heure

Stockage

De 5% à 95% (sans condensation)

Tolérance maximale aux vibrations

Fonctionnement

0,25 G de 3 à 200 Hz pendant 15 mn

Stockage

0,5 G de 3 à 200 Hz pendant 15 mn

Choc maximal

Fonctionnement

Une impulsion de choc de 41 G pendant un maximum de 2 ms sur l'axe z positif (une impulsion de chaque côté du système)

Stockage

Six chocs consécutifs de 71 G pendant un maximum de 2 ms en positif et négatif sur les axes x, y et z (une impulsion de chaque côté du système)

Altitude

Fonctionnement




De -16 à 3 048 m (-50 à 10 000 pieds)

Stockage

De -16 à 10 600 m (-50 à 35 000 pieds)

Erste Schritte mit dem System

Anmerkungen, Hinweise und Warnungen

-  **ANMERKUNG:** Eine ANMERKUNG macht auf wichtige Informationen aufmerksam, die die Arbeit mit dem Computer erleichtern.
-  **HINWEIS:** Ein HINWEIS warnt vor möglichen Beschädigungen der Hardware oder vor Datenverlust und zeigt auf, wie derartige Probleme vermieden werden können.
-  **VORSICHT:** Hiermit werden Sie darauf hingewiesen, dass das Risiko eines Sachschadens, Personenschadens oder sogar Lebensgefahr besteht.

Irrtümer und technische Änderungen vorbehalten.

© 2006 Dell Inc. Alle Rechte vorbehalten.

Die Reproduktion dieses Dokuments in jeglicher Form ist ohne schriftliche Genehmigung von Dell Inc. streng verboten.

Marken in diesem Text: *Dell*, das *DELL* Logo und *Dell OpenManage* sind Marken von Dell Inc.; *Microsoft* und *Windows* sind eingetragene Marken und *Windows Server* ist eine Marke von Microsoft Corporation; *Intel* und *Xeon* sind eingetragene Marken von Intel Corporation; *SUSE* ist eine eingetragene Marke von Novell, Inc.; *Red Hat* ist eine eingetragene Marke von Red Hat, Inc.

Alle anderen in dieser Dokumentation genannten Marken und Handelsnamen sind Eigentum der jeweiligen Hersteller und Firmen. Dell Inc. erhebt keinen Anspruch auf Marken und Handelsnamen mit Ausnahme der eigenen.

Modell **BMX**

Januar 2006

P/N FD316

Rev. A00

Systemmerkmale

In diesem Kapitel sind die wesentlichen Hardware- und Softwaremerkmale des Systems beschrieben. Ferner erhalten Sie Informationen über weitere nützliche Dokumente, die zur Einrichtung des Systems benötigt werden. Hier erfahren Sie auch, wie Sie technische Unterstützung erhalten können.

- Unterstützung für bis zu zehn Servermodule. Das Gehäuse unterstützt ein bis zehn Servermodule. (Wenn weniger als zehn Servermodule im Gehäuse installiert sind, müssen entsprechende Platzhalter verwendet werden, um ausreichende Kühlung zu gewährleisten.)
- DRAC/MC-Modul (Dell™ Remote Access Controller/Modular Chassis), das Zugriff auf Softwarefunktionen zur Systemverwaltung ermöglicht.
 - Um auf Systemverwaltungsfunktionen zuzugreifen, verbinden Sie die serielle Verwaltungsschnittstelle über das mitgelieferte Nullmodemkabel mit einem externen PC. Sie können Systemverwaltungsinformationen auch mit einem Webbrowser über die RJ-45-Verwaltungsschnittstelle erhalten. Die Systemverwaltungssoftware überwacht den Status des Systems und der Servermodule.
 - Integrierte Systemverwaltungselektronik, die den Betrieb der Systemlüfter sowie kritische Systemspannungen und -temperaturen überwacht. Die Systemverwaltungselektronik funktioniert im Verbund mit der Systemverwaltungssoftware.
- E/A-Unterstützung mit Passthrough- und Netzwerk-Switchmodulen. Bis zu vier E/A-Module können installiert werden. (Wenn weniger als vier Module installiert sind, müssen entsprechende Platzhalter verwendet werden, um ausreichende Kühlung zu gewährleisten.) Optionale Zusatzkarten in den Servermodulen ermöglichen E/A-Verbindungen.
- Zwei hot-plug-fähige Systemlüftermodule. Jedes Lüftermodul umfasst zwei austauschbare Lüfter.
- Zwei hot-plug-fähige 2100-Watt-Netzteile und zwei Netzteilplatzhalter, oder vier hot-plug-fähige 2100-Watt-Netzteile. Zwei Netzteile versorgen das System; mit zwei zusätzlichen Netzteilen wird Redundanz erreicht.



HINWEIS: 1200-Watt-Netzteile werden nicht unterstützt.

Servermodulfunktionen

- Ein oder zwei Prozessoren vom Typ Intel® Xeon® 5000 Sequence.
- Unterstützung für symmetrisches Multiprocessing (SMP); hiermit wird die Systemgesamtleistung erheblich verbessert, indem Rechenoperationen auf unabhängige Prozessoren verteilt werden. Um diese Funktion zu nutzen, muss ein Betriebssystem verwendet werden, das Multiprocessing unterstützt.

- Mindestens 512 MB FBD-Speichermodule (Fully Buffered DIMM, DDR II) mit 533 MHz oder 677 MHz (sofern verfügbar), erweiterbar auf maximal 32 GB durch Installation von Kombinationen aus Speichermodulen (mit Zweibege-Interleaving) der Kapazität 256 MB, 512 MB, 1 GB, 2 GB oder 4 GB in den acht Speichermodulsockeln auf der Systemplatine.

Das System unterstützt außerdem die Speicherfunktionen „Sparing“ (Redundanz) oder „Mirroring“ (Spiegelung), wenn alle acht Speichermodulsockel mit identischen Speichermodulen belegt sind.

- Unterstützung für bis zu zwei hot-plug-fähige SAS- oder SATA-Festplattenlaufwerke (2,5 Zoll).



ANMERKUNG: SAS- und SATA-Festplattenlaufwerke können in einem Servermodul nicht gemischt eingesetzt werden.

- Integrierte interne Laufwerkspiegelung ermöglicht die Spiegelung von zwei Laufwerken durch den integrierten RAID-Controller.
- Externe Schnittstelle zur Unterstützung von USB-Geräten über das Adapterkabel. Zu den USB-Geräten zählen Maus, Tastatur, Flash-Laufwerk, 3,5-Zoll-Diskettenlaufwerk mit 1,44 MB oder ein optisches Laufwerk.



ANMERKUNG: Nur von Dell gelieferte optische und Diskettenlaufwerke mit USB-Schnittstelle werden unterstützt. Verwenden Sie zum Anschließen nur ein USB-2.0-konformes Kabel von nicht mehr als 3 Metern Länge.

- Integriertes VGA-kompatibles Grafiksубsystem mit einem ATI ES1000-Grafikcontroller. Dieses Grafiksубsystem verfügt über einen Grafikspeicher mit 16 MB SDRAM (nicht aufrüstbar). Die maximale Auflösung beträgt 1280 x 1024 bei 65 000 Farben (non-interlaced).
- Systemverwaltungselektronik zur Überwachung der Systemlüfter und der kritischen Systemspannungen und -temperaturen. Die Systemverwaltungselektronik funktioniert im Verbund mit der Systemverwaltungssoftware.

Weitere Informationen zu einzelnen Systemmerkmalen finden Sie unter „Technische Daten“.

Die folgende Software gehört zum Lieferumfang des Systems:

- System-Setup-Programm zum Anzeigen und Ändern der Systemkonfigurationseinstellungen. Weitere Informationen zu diesem Programm finden Sie im Abschnitt „Using the System Setup Program“ (Verwenden des System-Setup-Programms) im *Hardware Owner's Manual* (Hardware-Benutzerhandbuch).
- Verbesserte Sicherheitsfunktionen, einschließlich eines Systemkennworts und eines Setup-Kennworts, die im System-Setup-Programm festgelegt werden.
- Diagnose zum Testen der Systemkomponenten und Geräte. Informationen über den Einsatz der Systemdiagnose erhalten Sie im Abschnitt „Running the System Diagnostics“ (Ausführen der Systemdiagnose) im *Hardware Owner's Manual* (Hardware-Benutzerhandbuch).
- Grafiktreiber zur Darstellung vieler gängiger Anwendungsprogramme in hoher Auflösung.

- Systemverwaltungssoftware und Dokumentation. Mit der Systemverwaltungssoftware werden die einzelnen Servermodule als auch das System als Ganzes verwaltet und überwacht, einschließlich aller Servermodule, der Netzwerk-Switchmodule, der Netzteile und der Lüfter. Die Systemverwaltung ist lokal und per Fernzugriff im Netzwerk möglich. Dell empfiehlt den Einsatz der mit diesem System gelieferten Systemverwaltungssoftware.
- Optionale Softwarelösungen für Web-Hosting, Caching oder Lastausgleich. Nähere Informationen finden Sie in der Softwaredokumentation.

Unterstützte Betriebssysteme

Das System unterstützt die folgenden Betriebssysteme:

- Microsoft® Windows® 2000 Server und Advanced Server mit Service-Pack 4 oder höher
- Microsoft Windows Server™ 2003 Standard, Enterprise und Web Edition mit Service-Pack 1 oder höher
- Microsoft Windows Server 2003, Standard und Enterprise x64 Edition
- Red Hat® Enterprise Linux AS, ES und WS (Version 3) für Intel x86
- Red Hat Enterprise Linux AS, ES und WS (Version 4) für Intel x86
- Red Hat Enterprise Linux für Intel Extended Memory 64-Technologie (Intel EM64T) AS, ES und WS (Version 4)
- SuSE® Linux Enterprise Server 9 für Intel EM64T

Weitere nützliche Informationen



VORSICHT: Das *Product Information Guide* (Produktinformationshandbuch) enthält wichtige Informationen zu Sicherheits- und Betriebsbestimmungen. Garantiebestimmungen können als separates Dokument beigelegt sein.

- Im zusammen mit der Rack-Lösung gelieferten *Rack Installation Guide* (Rack-Installationshandbuch) bzw. in der *Rack Installation Instructions* (Rack-Installationsanleitung) ist beschrieben, wie das System in einem Rack installiert wird.
- Im *Hardware Owner's Manual* (Hardware-Benutzerhandbuch) erhalten Sie Informationen über Systemfunktionen, zur Fehlerbehebung am System und zum Installieren oder Austauschen von Systemkomponenten.
- Das Dokument *Dell OpenManage Baseboard Management Controller User's Guide* (Dell OpenManage Baseboard Management Controller – Benutzerhandbuch) enthält ausführliche Informationen zur Verwendung des BMC.
- Das Dokument *Dell Remote Access Controller/Modular Chassis User's Guide* (Dell Remote Access Controller/Modular Chassis – Benutzerhandbuch) enthält ausführliche Informationen zum Einsatz der Fernverwaltungsfunktionen des Systems.
- Die *Configuration Guide* (Konfigurationsanleitung) enthält Informationen über die Konfiguration des Systems und der darin enthaltenen Servermodule.

- Mitgelieferte CDs enthalten Dokumentation und Dienstprogramme zum Konfigurieren und Verwalten des Systems.
- In der Dokumentation zur Systemverwaltungssoftware sind die Merkmale, die Anforderungen, die Installation und der grundlegende Einsatz der Software beschrieben.
- In der Dokumentation zum Betriebssystem ist beschrieben, wie das Betriebssystem installiert (sofern erforderlich), konfiguriert und verwendet wird.
- Dokumentationen für alle separat erworbenen Komponenten enthalten Informationen zur Konfiguration und zur Installation dieser Zusatzgeräte.
- Möglicherweise sind auch aktualisierte Dokumente beigelegt, in denen Änderungen am System, an der Software oder an der Dokumentation beschrieben sind.



ANMERKUNG: Wenn auf der Website support.dell.com aktualisierte Dokumente vorliegen, lesen Sie diese immer zuerst, denn frühere Informationen werden damit gegebenenfalls ungültig.

- Möglicherweise sind Versionshinweise oder Infodateien vorhanden – diese enthalten Aktualisierungen zum System oder zur Dokumentation bzw. detailliertes technisches Referenzmaterial für erfahrene Benutzer oder Techniker.

Technische Unterstützung

Falls Sie einen Vorgang in diesem Handbuch nicht nachvollziehen können oder das System sich nicht wie erwartet verhält, nehmen Sie das *Hardware Owner's Manual* (Hardware-Benutzerhandbuch) zur Hand.

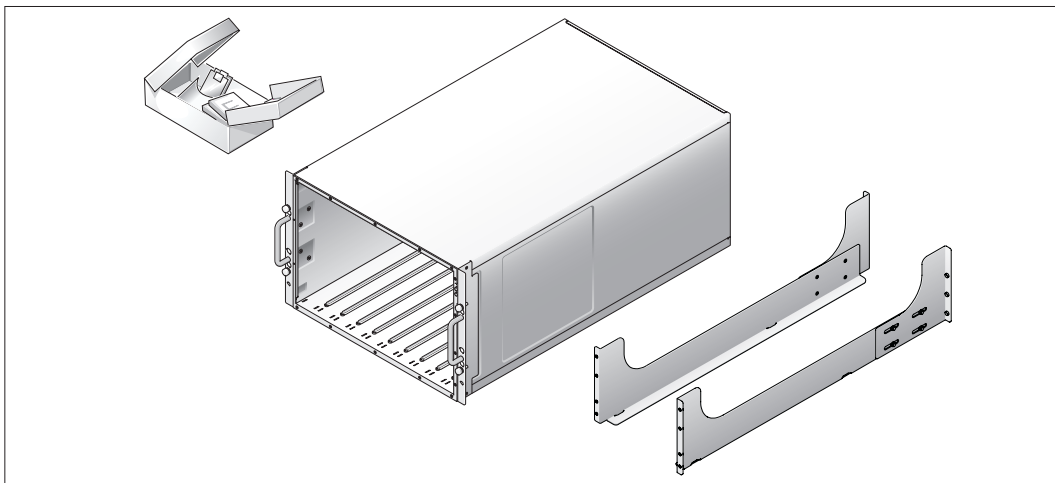
Dell bietet Schulungen und Zertifizierungen für Unternehmen an. Weitere Informationen finden Sie unter www.dell.com/training. Diese Dienstleistungen stehen unter Umständen nicht überall zur Verfügung.

Installation und Konfiguration

⚠ VORSICHT: Bevor Sie mit dem folgenden Vorgang beginnen, lesen und befolgen Sie die Sicherheitshinweise und die Betriebsbestimmungen im *Product Information Guide* (Produktinformationshandbuch).

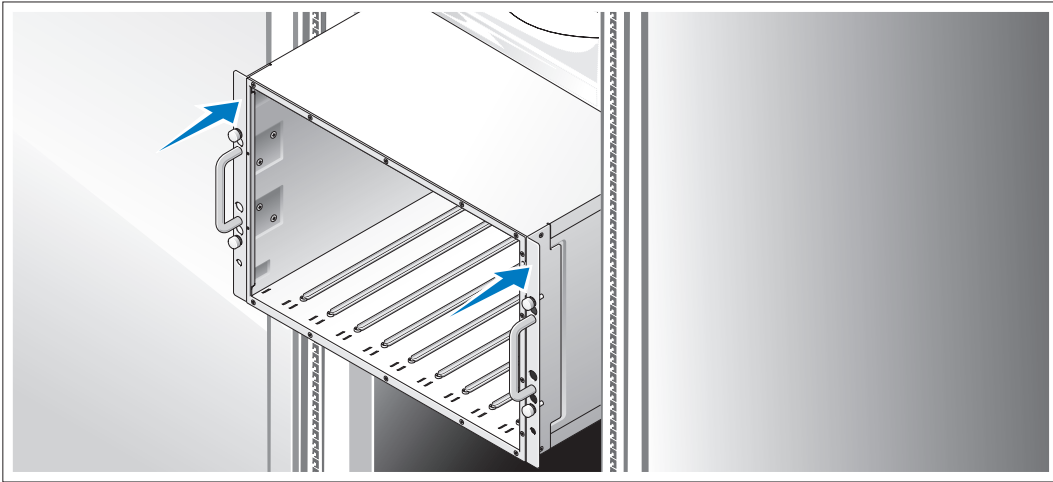
In diesem Abschnitt ist die erstmalige Einrichtung des Systems beschrieben.

Auspacken des Systems



- 1** Entnehmen Sie das System der Verpackung und identifizieren Sie die einzelnen Komponenten. Bewahren Sie das Verpackungsmaterial für möglichen späteren Gebrauch auf.

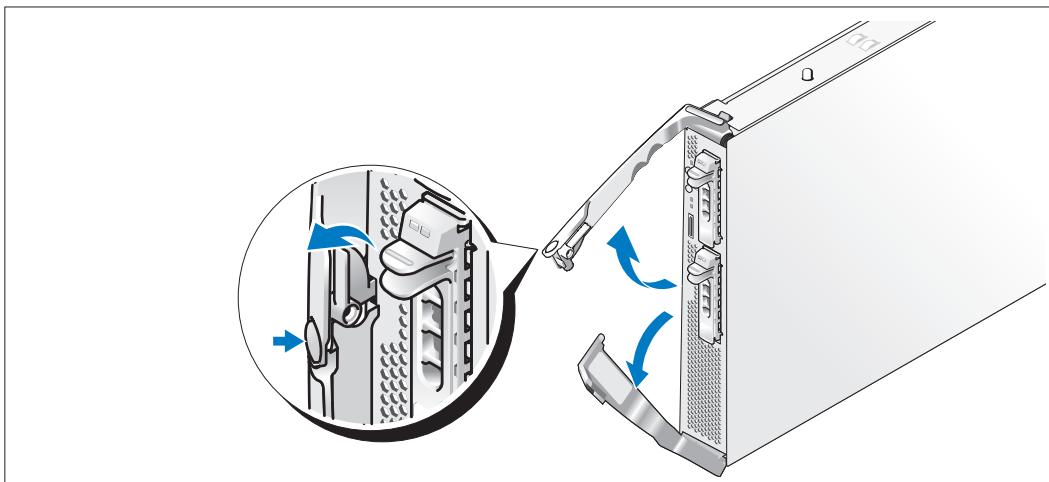
Installation des Systems in einem Rack



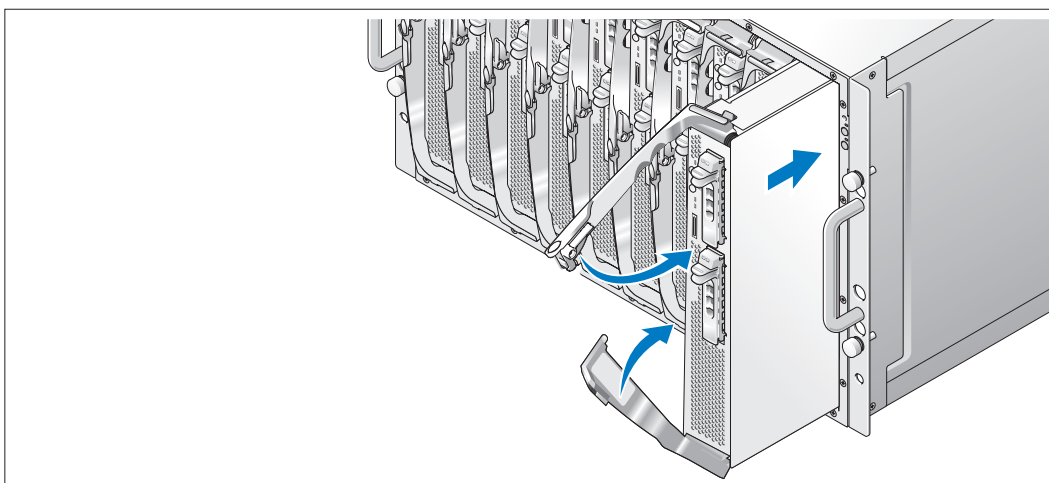
- 2 Lesen Sie die Sicherheitshinweise in der Dokumentation zur Rack-Installation für das System, und installieren Sie dann das System im Rack.

Wie Sie das System in einem Rack installieren, erfahren Sie in der Dokumentation zur Rack-Installation.

Installation der Servermodule

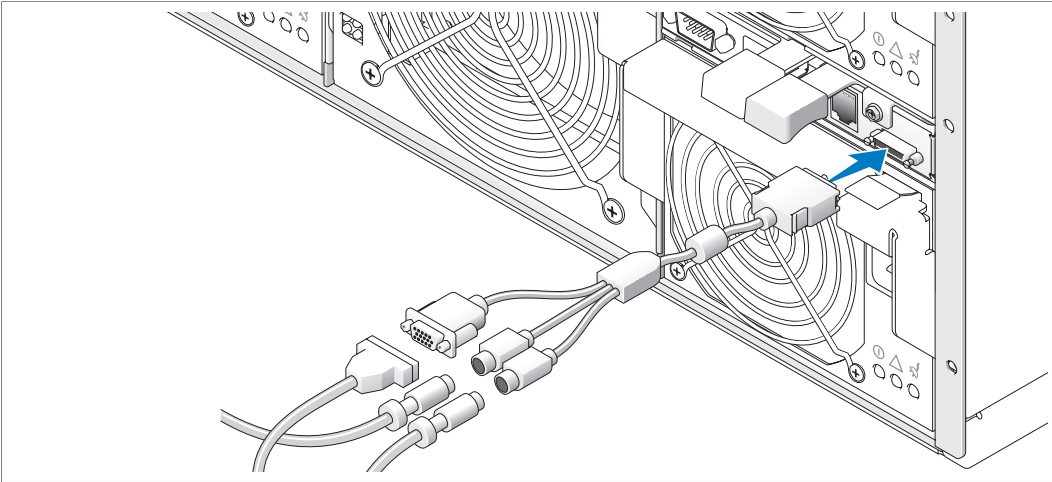


- 3** Bevor Sie die Module installieren, richten Sie jedes Modul so aus, dass sich das Logo auf dem oberen Griff befindet und die Schrift „TOP-SIDE“ auf der Modulkante nach oben weist. Drücken Sie auf die Freigabeklinke auf der Innenseite des oberen Griffs. Ziehen Sie den oberen und den unteren Griff nach außen.



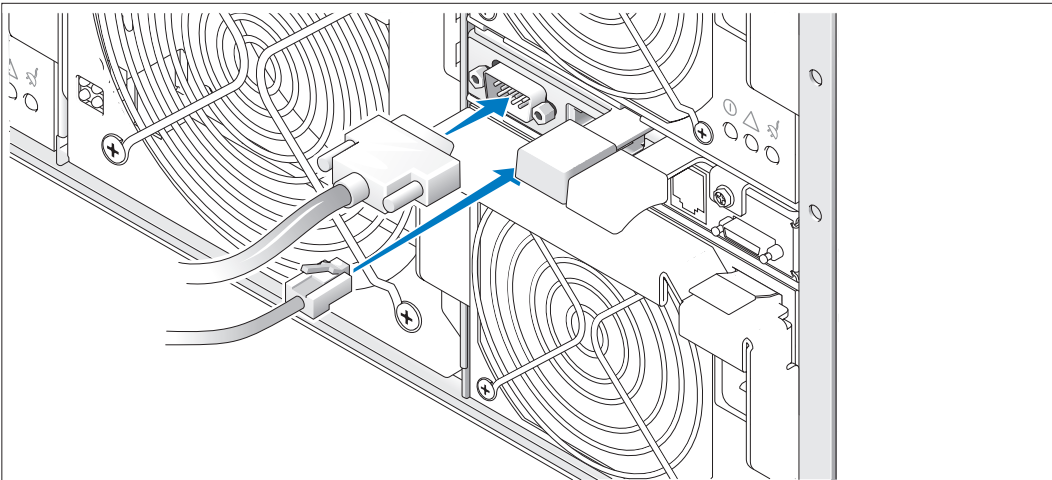
Schieben Sie die Module in das Gehäuse, wobei Sie von links nach rechts vorgehen. Wenn die geöffneten Griffe die Frontplatte des Gehäuses berühren, beginnen Sie beide Griffe nach innen zu schwenken (der untere Griff schließt zuerst), bis der untere Griff mit der Frontplatte des Moduls abschließt. Schwenken Sie den oberen Griff weiter nach unten, bis er mit dem unteren Griff abschließt. (Die vollständig geschlossenen Griffe werden von der Freigabeklinke an der Frontplatte gesichert.)

Anschließen von Tastatur, Maus und Bildschirm



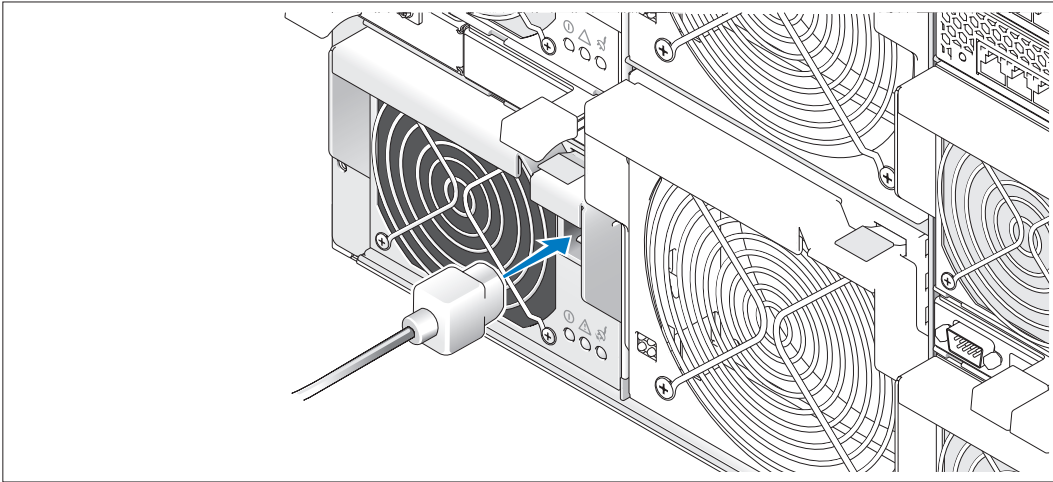
- 4 Verbinden Sie das Adapterkabel mit dem KVM-Modul, und schließen Sie dann die Tastatur, die Maus und den Bildschirm (optional) am Adapterkabel an.

Anschließen des Verwaltungssystems



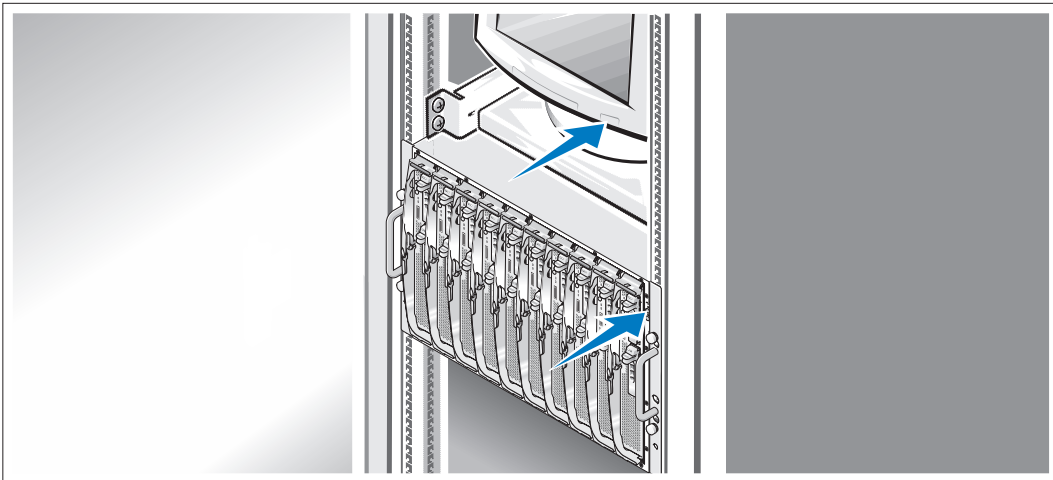
- 5 Verbinden Sie das serielle Kabel und das Netzkabel vom Verwaltungssystem mit dem DRAC/MC-Modul.

Anschließen des Systems und des Bildschirms (optional) an das Stromnetz



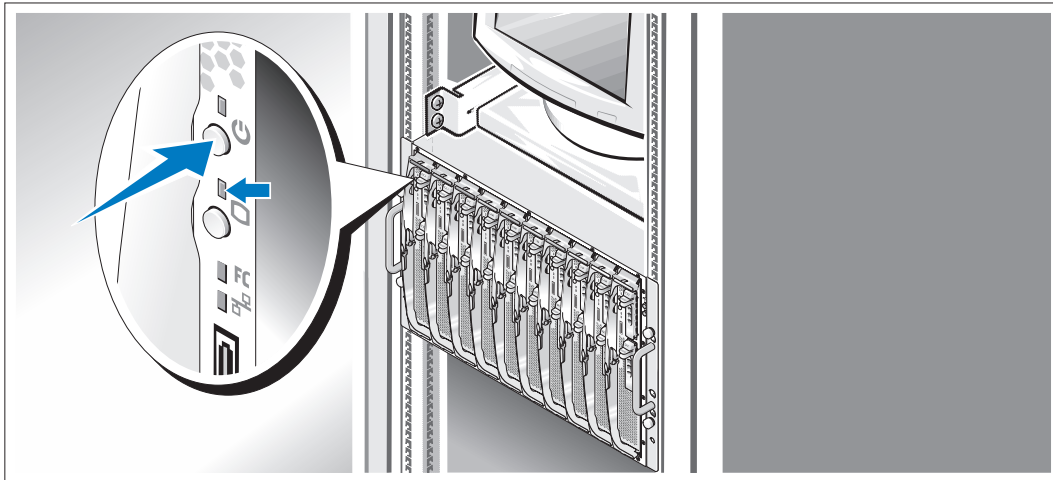
- 6 Verbinden Sie das bzw. die Netzstromkabel mit dem System. Schließen Sie dann das andere Ende des Kabels an eine geerdete Steckdose oder eine separate Stromquelle an, etwa eine unterbrechungsfreie Stromversorgung (USV) oder einen Stromverteiler (PDU). Schließen Sie das Netzstromkabel des Bildschirms an eine geerdete Steckdose an.

Einschalten des Systems und des Bildschirms (optional)



- 7 Drücken Sie den Netzschalter am Gehäuse und am Bildschirm. Daraufhin sollten die Betriebsanzeigen aufleuchten. Stellen Sie den Bildschirm ein, bis die Anzeige zufriedenstellend ist.

Einschalten der Servermodule



- 8 Drücken Sie an jedem Servermodul den Netzschalter, oder schalten Sie die Module mit der Systemverwaltungssoftware ein.

Anhand der KVM-Anzeigen auf den Servermodulen lässt sich feststellen, für welches Modul die Bildschirmausgabe erfolgt.

Stellen Sie den Bildschirm ein, bis die Anzeige zufriedenstellend ist.

Einrichtung des Betriebssystems

Wenn das Betriebssystem vorinstalliert ist, lesen Sie die zusammen mit dem System gelieferte Dokumentation zum Betriebssystem. Wie Sie ein Betriebssystem erstmalig installieren, erfahren Sie in der *Quick Installation Guide* (Kurz-Installationsanleitung). Das Betriebssystem muss installiert sein, bevor Sie andere, nicht zusammen mit dem System erworbene Hardware oder Software installieren.

Technische Daten

Servermodul

Prozessor	
Prozessortyp	Bis zu zwei Prozessoren vom Typ Intel Xeon 5000 Sequence

Speicher	
Architektur	FBD DDR II-DIMMs, mit Zweiwege-Interleaving, für Betrieb mit 533 oder 677 MHz (sofern verfügbar)
Speichermodulesockel	Achtmal 240-polig
Speichermodulegrößen	256 MB, 512 MB, 1 GB, 2 GB oder 4 GB
RAM (Minimum)	512 MB
RAM (Maximum)	32 GB

Laufwerke	
Festplattenlaufwerke	
SAS-Konfiguration	Ein oder zwei hot-plug-fähige Festplattenlaufwerke (2,5 Zoll)
SATA-Konfiguration	Ein oder zwei hot-plug-fähige Festplattenlaufwerke (2,5 Zoll)
	ANMERKUNG: SAS- und SATA-Festplattenlaufwerke können in einem Servermodul nicht gemischt eingesetzt werden.

Anschlüsse	
Extern zugänglich	
Vorderseite	
Adapter	Unterstützung für zwei USB-Geräte und Bildschirm über Adapterkabel

Grafik	
Grafiktyp	ATI ES1000-Grafikcontroller
Grafikspeicher	16 MB

Abmessungen und Gewicht

Höhe	28.575 cm
Breite	4.241 cm
Tiefe	50.8 cm
Gewicht (maximale Konfiguration)	7.257 kg

Batterie

Servermodulbatterie	CR 2032, 3,0-V-Lithium-Ionen-Knopfzelle
---------------------	---

System

Systemgehäuse

Höhe	31.038 cm
Breite	42.519 cm
Tiefe	76.2 cm
Gewicht (maximale Konfiguration)	129.274 kg

Netzteilmodul

Wechselstromnetzteil (je Netzteil)

Leistung	2100 W
Spannung	170-264 VAC, 50/60 Hz, 15,8 A bei 170 VAC, 9,9 A bei 264 VAC
Wärmeabgabe	Maximal 3480 BTU/h
Maximaler Einschaltstrom	Unter typischen Leitungsbedingungen und über den gesamten Umgebungsbetriebsbereich des Systems kann der Einschaltstrom pro Netzteil (über einen Zeitraum von 10 ms oder weniger) 55 A erreichen.

Abmessungen und Gewicht

Höhe	9,70 cm
Breite	12,90 cm
Tiefe	23,01cm
Gewicht	3,288 kg

Lüftermodul

Abmessungen und Gewicht

Höhe	14.732 cm
Breite	15.748 cm
Tiefe	27.305 cm
Gewicht	2.948 kg

KVM-Modul

Extern zugängliche Anschlüsse

Adapter	Adapterkabel für zwei PS/2-Geräte und einen Bildschirm
ACI-Port	RJ-45 (Nur Avocent Analog KVM-Switch)
Ethernet	RJ-45 (Nur Avocent Digital Access KVM-Switch)

Abmessungen und Gewicht

Höhe	2.54 cm
Breite	5.334 cm
Tiefe	28.194 cm
Gewicht	0.272 kg

DRAC/MC-Modul

Extern zugängliche Anschlüsse

Fernverwaltung	Reservierter 10/100 RJ-45-Anschluss (für integrierten Ethernet-Remote-Access-Controller)
Seriell	9-polig, DTE, 16550-kompatibel

Batterie

Modulbatterie	CR 2032, 3,0-V-Lithium-Ionen-Knopfzelle
---------------	---

Abmessungen und Gewicht

Höhe	2,54 cm
Breite	7,493 cm
Tiefe	26,03 cm
Gewicht	0,363 kg

PowerConnect 5316M Ethernet-Switchmodul

Extern zugängliche Anschlüsse

Gb-10/100/1000-Mbit/s-Ethernet Sechs RJ-45-Uplinks mit Autonegotiation

Abmessungen und Gewicht

Höhe 3.302 cm
Breite 13.081 cm
Tiefe 27.432 cm
Gewicht 0.816 kg

Gb-Ethernet-Passthrough-Modul

Extern zugängliche Anschlüsse

Ethernet Zehn RJ-45-Uplinks (für integrierte 1-Gbit/s-NICs)
ANMERKUNG: Passthrough-Uplinks unterstützen
nur 1000-Mbit/s-Verbindungen.

Abmessungen und Gewicht

Höhe 3.302 cm
Breite 13.081 cm
Tiefe 27.432 cm
Gewicht 0.816 kg

Fibre-Channel-Passthrough-Modul

Extern zugängliche Anschlüsse

Fibre-Channel-Transceiver Zehn GPI0-Transceiver-Anschlüsse
mit 3,5 Gbit/s, 76 Pins

Abmessungen und Gewicht

Höhe 3.302 cm
Breite 13.081 cm
Tiefe 27.432 cm
Gewicht 0.816 kg

Fibre-Channel-Switchmodul

Extern zugängliche Anschlüsse

Fibre-Channel Vier universelle Ports (E, F und FL)
mit automatischer Erkennung

Fibre-Channel-Switchmodul (Fortsetzung)

1/2/4 Gbit/s Ethernet RJ-45

Abmessungen und Gewicht

Höhe 3.302 cm

Breite 13.081 cm

Tiefe 27.432 cm

Gewicht 1.06 kg

Infiniband Passthrough-Modul

Extern zugängliche Anschlüsse

Infiniband Zehn 4X-Ports

Abmessungen und Gewicht

Höhe 3.302 cm

Breite 13.081 cm

Tiefe 27.432 cm

Gewicht 1.8 kg

Umgebung

ANMERKUNG: Weitere Informationen zu Umgebungsbedingungen bei verschiedenen Systemkonfigurationen finden Sie unter www.dell.com/environmental_datasheets. Das System ist nicht zur Verwendung in Büroumgebungen vorgesehen.

Temperatur

Betrieb

10 bis 35 °C

ANMERKUNG: Oberhalb von 900 m muss von der maximalen Temperatur 1 °C pro 300 m abgezogen werden.

Lagerung

-40 bis 65 °C

Relative Luftfeuchtigkeit

Betrieb

8 % bis 85 % (nicht-kondensierend) mit einem Anstieg der Luftfeuchtigkeit von 10 % pro Stunde

Lagerung

5 bis 95 % (nicht kondensierend)

Maximale Erschütterung

Während des Betriebs

0,25 G bei 3 bis 200 Hz, 15 min lang

Bei Lagerung

0,5 G bei 3 bis 200 Hz, 15 min lang

Maximale Stoßeinwirkung

Während des Betriebs

Ein Stoß von 41 G in der positiven z-Achse (ein Stoß auf jeder Seite des Systems) über einen Zeitraum von bis zu 2 ms.

Bei Lagerung

Sechs hintereinander ausgeführte Stöße mit 71 G von bis zu 2 ms Dauer in positiver und negativer X-, Y- und Z-Richtung (ein Stoß auf jeder Seite des Systems).

Höhe über NN

Während des Betriebs




-16 bis 3048 m

Bei Lagerung

-16 bis 10 600 m

Τα πρώτα βήματα Με το σύστημά σας

Σημείωση, Ειδοποίηση και Προσοχή

-  **ΣΗΜΕΙΩΣΗ:** Η ένδειξη ΣΗΜΕΙΩΣΗ υποδεικνύει σημαντικές πληροφορίες που σας βοηθούν να χρησιμοποιήσετε πιο σωστά τον υπολογιστή σας.
-  **ΕΙΔΟΠΟΙΗΣΗ:** Η ένδειξη ΕΙΔΟΠΟΙΗΣΗ υποδεικνύει είτε πιθανή βλάβη του υλικού είτε απώλεια δεδομένων και σας πληροφορεί πώς να αποφύγετε το πρόβλημα.
-  **ΠΡΟΣΟΧΗ:** Η ένδειξη ΠΡΟΣΟΧΗ υποδεικνύει την πιθανότητα υλικής ζημιάς, προσωπικού τραυματισμού ή θανάτου.

**Οι πληροφορίες που περιέχονται στο παρόν έγγραφο ενδέχεται να αλλάξουν χωρίς προηγούμενη ειδοποίηση.
© 2006 Dell Inc. Με επιφύλαξη κάθε νόμιμου δικαιώματος.**

Απαγορεύεται αυστηρώς η αναπαραγωγή με οποιονδήποτε τρόπο χωρίς την έγγραφη άδεια της Dell Inc.

Εμπορικά σήματα που χρησιμοποιούνται σε αυτό το κείμενο: *Dell*, το λογότυπο *DELL* και το *Dell OpenManage* είναι εμπορικά σήματα της Dell Inc. *Microsoft* και *Windows* είναι σήματα κατατεθέντα και *Windows Server* είναι εμπορικό σήμα της Microsoft Corporation. *Intel* και *Xeon* είναι σήματα κατατεθέντα της Intel Corporation. *SUSE* είναι σήμα κατατεθέν της Novell, Inc.. *Red Hat* είναι σήμα κατατεθέν της Red Hat, Inc.

Στο παρόν έγγραφο ενδέχεται να χρησιμοποιούνται άλλα εμπορικά σήματα και εμπορικές ονομασίες για αναφορά στις οντότητες που διεκδικούν τα σήματα και τις ονομασίες ή για αναφορά στα προϊόντα τους. Η Dell Inc. αποποιείται οποιοδήποτε συμφέρον ιδιοκτησίας από εμπορικά σήματα και εμπορικές ονομασίες εκτός από αυτά που έχει στην κατοχή της.

Μοντέλο BMX

Ιανουάριος 2006

P/N FD316

Rev. A00

Χαρακτηριστικά συστήματος

Η ενότητα αυτή περιγράφει τα κύρια χαρακτηριστικά λογισμικού και υλικού του συστήματός σας. Παρέχει επίσης πληροφορίες σχετικά με άλλα έγγραφα που ενδέχεται να χρειαστείτε για τη ρύθμιση του συστήματός σας και σχετικά με τον τρόπο λήψης τεχνικής βοήθειας.

- Υποστήριξη έως και δέκα μονάδων διακομιστή. Ο σκελετός μπορεί να υποστηρίξει έως και δέκα μονάδες διακομιστή. (Εάν στο σκελετό είναι εγκατεστημένες λιγότερες από δέκα μονάδες διακομιστή, απαιτούνται κενές μονάδες διακομιστή για την κατάλληλη ψύξη.)
- Ελεγκτής απομακρυσμένης πρόσβασης/Αρθρωτός σκελετός της Dell™ (DRAC/MC), ο οποίος παρέχει πρόσβαση στα χαρακτηριστικά λογισμικού διαχείρισης συστήματος.
 - Για να προσπελάσετε τα χαρακτηριστικά διαχείρισης συστήματος, συνδέστε το μηδενικό καλώδιο μόντεμ, το οποίο παρέχεται με το σύστημα, ανάμεσα στη σειριακή θύρα διαχείρισης και έναν εξωτερικό προσωπικό υπολογιστή. Μπορείτε να λάβετε πληροφορίες διαχείρισης του συστήματος μέσω ενός προγράμματος ανάγνωσης ιστοσελίδων Web που είναι συνδεδεμένο στη θύρα διαχείρισης RJ-45. Το λογισμικό διαχείρισης συστημάτων παρακολουθεί το σύστημα και την κατάσταση της μονάδας του διακομιστή.
 - Ενσωματωμένη διάταξη κυκλωμάτων διαχείρισης συστημάτων, η οποία παρακολουθεί τη λειτουργία των ανεμιστήρων του συστήματος, καθώς και τις κρίσιμες θερμοκρασίες και τάσεις του συστήματος. Η διάταξη κυκλωμάτων διαχείρισης συστημάτων λειτουργεί σε συνδυασμό με το δικό σας λογισμικό διαχείρισης συστημάτων.
- Υποστήριξη για συνδεσιμότητα I/O συμπεριλαμβανομένων μονάδων με το χαρακτηριστικό pass-through και μονάδων μεταγωγέα δικτύου. Μπορούν να εγκατασταθούν έως και τέσσερις μονάδες I/O. (Εάν στο σκελετό είναι εγκατεστημένες λιγότερες από τέσσερις μονάδες, απαιτούνται κενές μονάδες I/O για την κατάλληλη ψύξη.) Προαιρετικές θυγατρικές κάρτες που υπάρχουν εγκατεστημένες στις μονάδες διακομιστή, παρέχουν τη συνδεσιμότητα I/O.
- Δύο μονάδες ανεμιστήρων συστήματος, θερμής σύνδεσης. Κάθε μονάδα ανεμιστήρα έχει δύο ανεμιστήρες με δυνατότητα αντικατάστασης.
- Δύο παροχές τροφοδοσίας, 2100 watt, θερμής σύνδεσης, και δύο κενές παροχές τροφοδοσίας, ή τέσσερις παροχές τροφοδοσίας, 2100 watt, θερμής σύνδεσης. Οι δύο παροχές τροφοδοσίας παρέχουν το ρεύμα στο σύστημα, ενώ οι δύο πρόσθετες παροχές τροφοδοσίας είναι εφεδρικές.



ΠΡΟΣΟΧΗ: Δεν υποστηρίζονται παροχές τροφοδοσίας 1200 watt.

Χαρακτηριστικά μονάδας διακομιστή

- Ένας ή δύο επεξεργαστές Intel® Xeon® της σειράς 5000.
- Υποστήριξη για συμμετρική πολυ-επεξεργασία (SMP), η οποία βελτιώνει θεαματικά τη συνολική απόδοση του συστήματος καταμερίζοντας τις επεξεργαστικές εργασίες σε ανεξάρτητους επεξεργαστές. Για να εκμεταλλευτείτε αυτό το χαρακτηριστικό, πρέπει να χρησιμοποιείτε ένα λειτουργικό σύστημα που να υποστηρίζει την πολυ-επεξεργασία.
- Κατ' ελάχιστον 512 MB στα 533 MHz ή 677 MHz (όταν είναι διαθέσιμα) μονάδων μνήμης DDR II Fully Buffered DIMM (FBD), με δυνατότητα αναβάθμισης σε 32 GB το μέγιστο, με εγκατάσταση συνδυασμών 256 MB, 512 MB, 1 GB, 2-GB, ή 4 GB μονάδων μνήμης διεμπλοκής δύο δρόμων στις οκτώ υποδοχές μονάδων μνήμης επάνω στην πλακέτα του συστήματος.
Το σύστημα υποστηρίζει επίσης πλεόνασμα ή κατοπτρικό είδωλο μνήμης, αν και οι οκτώ υποδοχές μονάδων μνήμης κατέχονται από όμοιες μονάδες μνήμης.
- Υποστήριξη έως και δύο μονάδες σκληρού δίσκου 2,5 ιντσών, SAS ή SATA, θερμής σύνδεσης.



ΣΗΜΕΙΩΣΗ: Μέσα στην ίδια μονάδα διακομιστή δεν είναι δυνατό να αναμιχθούν σκληροί δίσκοι SAS και SATA.

- Ενσωματωμένο κατοπτρικό είδωλο εσωτερικής μονάδας επιτρέπει το σχηματισμό ειδώλου για δύο δίσκους μέσω του ενσωματωμένου ελεγκτή RAID.
- Μία εξωτερική θύρα για την υποστήριξη συσκευών USB με χρήση του προσαρμοσμένου καλωδίου. Οι συσκευές USB περιλαμβάνουν ένα ποντίκι, ένα πληκτρολόγιο, μία μονάδα μνήμης flash, μία μονάδα δισκέτας 1,44 MB, των 3,5 ιντσών ή μια μονάδα οπτικού δίσκου.



ΣΗΜΕΙΩΣΗ: Υποστηρίζονται μόνο μονάδες δισκέτας USB και μονάδες οπτικών δίσκων που παρέχονται από την Dell. Χρησιμοποιείτε μόνο καλώδιο συμβατό με USB 2.0 με μήκος που δεν υπερβαίνει τα 3 μέτρα (118,1 ίντσες).

- Ένα ενσωματωμένο υποσύστημα οθόνης συμβατό με VGA με ελεγκτή οθόνης ATI ES1000. Αυτό το υποσύστημα οθόνης περιέχει 16 MB μνήμης οθόνης SDRAM (χωρίς δυνατότητα αναβάθμισης). Η μέγιστη ανάλυση είναι 1280 x 1024 x 65.000 χρώματα (χωρίς διεμπλοκή).
- Ομάδα ηλεκτρικών κυκλωμάτων για τη διαχείριση συστημάτων. Η ομάδα αυτή παρακολουθεί τη λειτουργία των ανεμιστήρων του συστήματος, καθώς και τις κρίσιμες θερμοκρασίες και τάσεις του συστήματος. Η ομάδα ηλεκτρικών κυκλωμάτων για τη διαχείριση συστημάτων λειτουργεί σε συνδυασμό με το λογισμικό διαχείρισης συστημάτων.

Για περισσότερες πληροφορίες σχετικά με συγκεκριμένα χαρακτηριστικά, ανατρέξτε στο “Τεχνικές προδιαγραφές.”

Με το σύστημά σας περιλαμβάνεται το παρακάτω λογισμικό:

- Ένα πρόγραμμα Εγκατάστασης συστήματος για γρήγορη προβολή και πληροφορίες για τη μεταβολή της διαμόρφωσης του συστήματος. Για περισσότερες πληροφορίες σχετικά με αυτό το πρόγραμμα, ανατρέξτε στη “Χρήση του Προγράμματος εγκατάστασης συστήματος” στο *Εγχειρίδιο κατόχου υλικού*.
- Βελτιωμένα χαρακτηριστικά ασφάλειας, συμπεριλαμβανομένου ενός κωδικού πρόσβασης στο σύστημα και ενός κωδικού για την εγκατάσταση, τα οποία είναι διαθέσιμα μέσω του προγράμματος Εγκατάστασης συστήματος.

- Διαγνωστικά προγράμματα συστήματος για την αξιολόγηση συστατικών στοιχείων και συσκευών του συστήματος. Για περισσότερες πληροφορίες σχετικά με τη χρήση των διαγνωστικών προγραμμάτων, ανατρέξτε στην “Εκτέλεση των διαγνωστικών προγραμμάτων του συστήματος” στο *Εγχειρίδιο κατόχου υλικού*.
- Προγράμματα οδήγησης οθόνης για την εμφάνιση πολλών δημοφιλών προγραμμάτων εφαρμογών σε λειτουργίες υψηλής απόδοσης.
- Λογισμικό και τεκμηρίωση για τη διαχείριση συστημάτων. Το λογισμικό διαχείρισης συστημάτων χρησιμοποιείται για τη διαχείριση και την παρακολούθηση κάθε ξεχωριστής μονάδας διακομιστή, καθώς και του συστήματος ως σύνολο, συμπεριλαμβανομένων των μονάδων διακομιστή, των μονάδων μεταγωγή δικτύου, των τροφοδοσιών και των ανεμιστήρων. Το λογισμικό διαχείρισης συστημάτων διαχειρίζεται το σύστημα τοπικά και απομακρυσμένα σε ένα δίκτυο. Η Dell συνιστά να χρησιμοποιείτε το λογισμικό διαχείρισης συστημάτων που παρέχεται με αυτό το σύστημα.
- Προαιρετικό λογισμικό λύσεων για φιλοξενία στο Web, ενεργοποίηση κρυφής μνήμης ή ισοστάθμιση φορτίου. Ανατρέξτε στην τεκμηρίωση του λογισμικού λύσεών σας για περισσότερες πληροφορίες.

Λειτουργικά συστήματα που υποστηρίζονται

Το σύστημά σας υποστηρίζει τα παρακάτω λειτουργικά συστήματα:

- Microsoft® Windows® 2000, εκδόσεις Server και Advanced Server με Service Pack 4 ή νεότερη έκδοση
- Microsoft Windows Server™ 2003, εκδόσεις Standard, Enterprise και Web με Service Pack 1 ή νεότερη έκδοση
- Microsoft® Windows Server™ 2003, έκδοση Standard και Enterprise x64
- Red Hat® Enterprise Linux AS, ES και WS (έκδοση 3) για Intel x86
- Red Hat Enterprise Linux AS, ES και WS (έκδοση 4) για Intel x86
- Red Hat Enterprise Linux για την τεχνολογία Extended Memory 64 της Intel (Intel EM64T) AS, ES, και WS (έκδοση 4)
- SuSE® Linux Enterprise Server 9 για Intel EM64T

Άλλες πληροφορίες που ενδέχεται να χρειαστείτε

⚠ ΠΡΟΣΟΧΗ: Ο *Οδηγός πληροφοριών προϊόντος* παρέχει σημαντικές πληροφορίες για την ασφάλεια και τους ρυθμιστικούς κανόνες. Οι πληροφορίες για την εγγύηση ενδέχεται να συμπεριλαμβάνονται μέσα σε αυτό το έγγραφο ή ως ξεχωριστό έγγραφο.

- Ο *Οδηγός εγκατάστασης σε ράφι* ή οι *Οδηγίες εγκατάστασης σε ράφι* που συνοδεύουν τη δική σας λύση σε ράφι περιγράφουν τον τρόπο εγκατάστασης τους συστημάτων σας σε ράφι.
- Το *Εγχειρίδιο κατόχου υλικού* παρέχει πληροφορίες σχετικά με τα χαρακτηριστικά του συστήματος και περιγράφει την αντιμετώπιση προβλημάτων του συστήματός σας και την εγκατάσταση ή την αντικατάσταση συστατικών στοιχείων του συστήματος.
- Ο *Οδηγός χρήστη ελεγκτή διαχείρισης πλακέτας βάσης (BMC) OpenManage της Dell* παρέχει λεπτομερείς πληροφορίες σχετικά με τη χρήση του ελεγκτή BMC.

- Ο Οδηγός χρήστη *Ελεγκτή απομακρυσμένης πρόσβασης/αρθρωτού σκελετού της Dell* παρέχει λεπτομερείς πληροφορίες σχετικά με τη χρήση των χαρακτηριστικών απομακρυσμένης διαχείρισης του συστήματος.
- Ο Οδηγός διαμόρφωσης παρέχει πληροφορίες για τη διαμόρφωση του συστήματός σας και των μονάδων διακομιστή στο σύστημά σας.
- Τα CD που συνοδεύουν το σύστημά σας παρέχουν τεκμηρίωση και εργαλεία για τη ρύθμιση παραμέτρων και τη διαχείριση του συστήματός σας.
- Η τεκμηρίωση του λογισμικού διαχείρισης συστημάτων περιγράφει τα χαρακτηριστικά, τις απαιτήσεις, την εγκατάσταση και τη βασική λειτουργία του λογισμικού.
- Η τεκμηρίωση του λειτουργικού συστήματος περιγράφει τον τρόπο εγκατάστασης (εάν είναι απαραίτητο), διαμόρφωσης και χρήσης του λογισμικού του λειτουργικού συστήματος.
- Η τεκμηρίωση για συστατικά στοιχεία που τυχόν αγοράσατε ξεχωριστά παρέχει πληροφορίες για τη ρύθμιση παραμέτρων και την εγκατάσταση αυτών των επιλογών.
- Μερικές φορές παρέχονται ενημερωμένες εκδόσεις μαζί με το σύστημα, για να περιγράψουν αλλαγές στο σύστημα, το λογισμικό ή/και την τεκμηρίωση.



ΣΗΜΕΙΩΣΗ: Ελέγχετε πάντοτε για ενημερωμένες εκδόσεις στην τοποθεσία **support.dell.com** και να διαβάσετε πρώτα τις ενημερωμένες εκδόσεις επειδή πολύ συχνά καθιστούν ξεπερασμένες τις πληροφορίες άλλων εγγράφων.

- Σημειώσεις έκδοσης ή αρχεία readme ενδέχεται να περιλαμβάνονται για να παρέχουν τις τελευταίες ενημερώσεις για το σύστημα, όπως επίσης τεκμηρίωση ή προχωρημένο υλικό αναφοράς για τεχνικά θέματα που προορίζονται για έμπειρους χρήστες ή τεχνικούς.

Λήψη τεχνικής βοήθειας

Εάν δεν κατανοείτε μια διαδικασία του οδηγού αυτού ή αν το σύστημα δεν λειτουργεί με τον αναμενόμενο τρόπο, ανατρέξτε στο *Εγχειρίδιο κατόχου υλικού*.

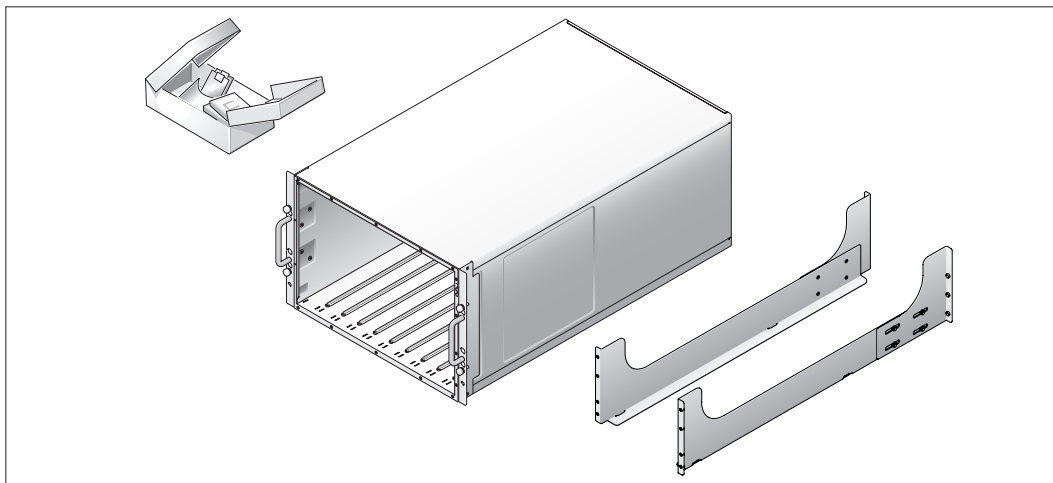
Είναι διαθέσιμη η Επιχειρηματική εκπαίδευση και πιστοποίηση της Dell. Για περισσότερες πληροφορίες, ανατρέξτε στη διεύθυνση www.dell.com/training. Η υπηρεσία αυτή ενδέχεται να μην προσφέρεται σε όλες τις τοποθεσίες.

Εγκατάσταση και ρύθμιση παραμέτρων

⚠ ΠΡΟΣΟΧΗ: Προτού πραγματοποιήσετε την παρακάτω διαδικασία, διαβάστε και ακολουθήστε τις οδηγίες ασφαλείας και τους σημαντικούς ρυθμιστικούς κανόνες στον *Οδηγό πληροφοριών προϊόντος*.

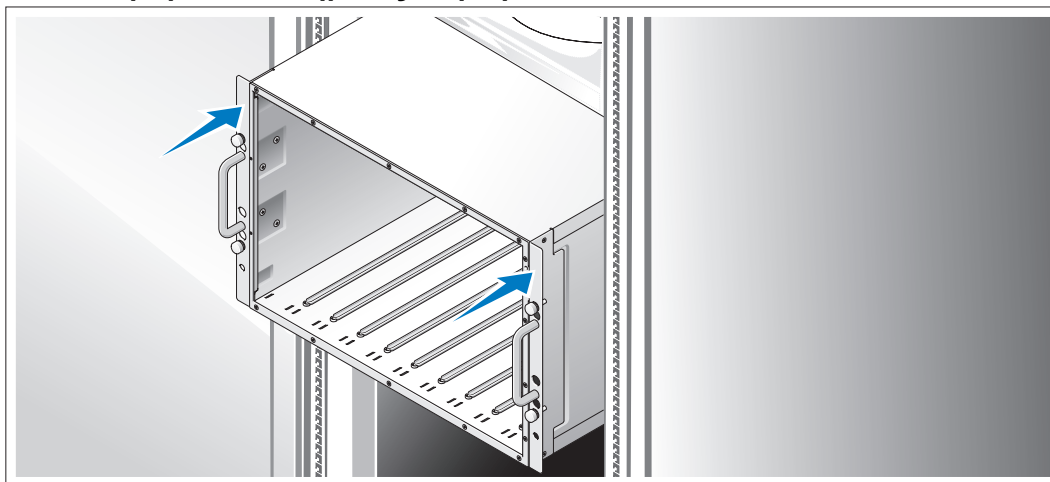
Η ενότητα αυτή περιγράφει τα βήματα που απαιτούνται για την αρχική ρύθμιση των παραμέτρων του συστήματός σας.

Ανοιγμα της συσκευασίας του συστήματος



- 1** Ανοίξτε τη συσκευασία του συστήματός σας και αναγνωρίστε κάθε αντικείμενο. Φυλάξτε όλα τα υλικά που σας αποστάληκαν για την περίπτωση που θα τα χρειαστείτε αργότερα.

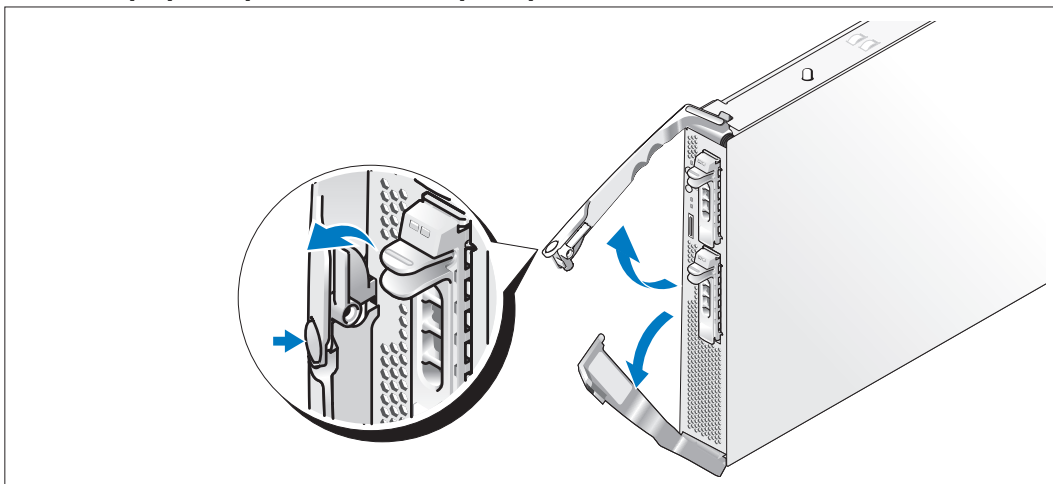
Τοποθέτηση του συστήματος σε ράφι



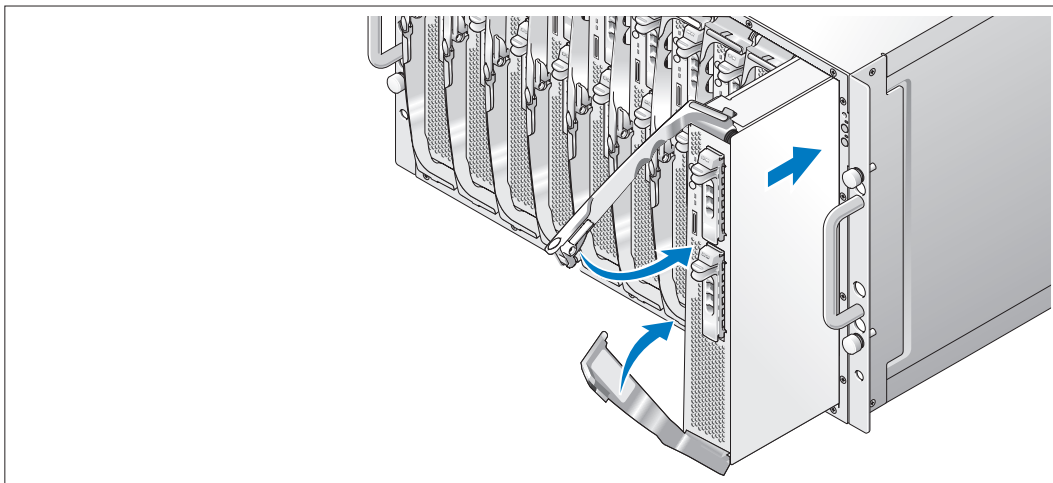
- 2 Τοποθετήστε το σύστημα σε ράφι αφού ολοκληρώσετε την ανάγνωση των “Οδηγιών ασφαλείας” που βρίσκονται στην τεκμηρίωση εγκατάστασης σε ράφι για το σύστημά σας.

Για οδηγίες σχετικά με την εγκατάσταση του συστήματός σας σε ράφι, ανατρέξτε στην τεκμηρίωση εγκατάστασης σε ράφι.

Τοποθέτηση των μονάδων διακομιστή

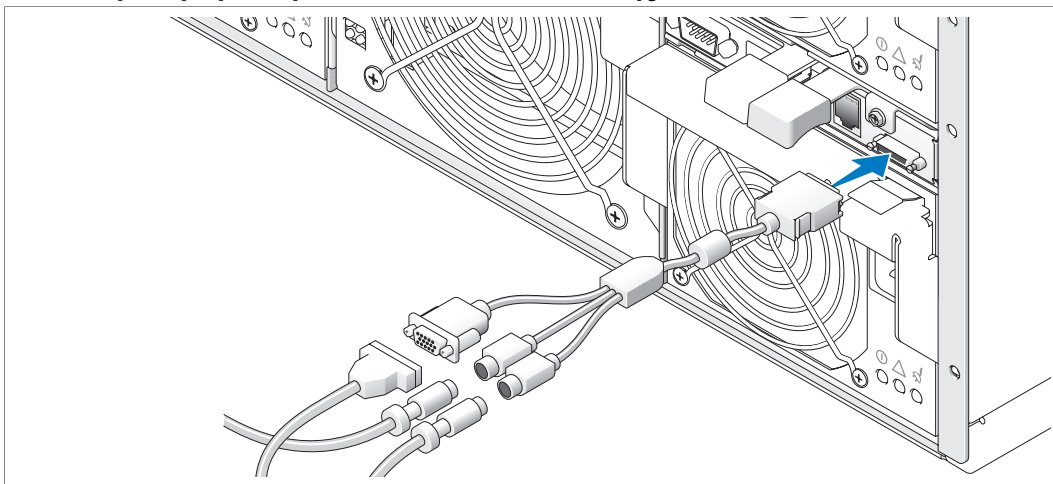


- 3** Πριν τοποθετήσετε τις μονάδες, στρέψτε κάθε μονάδα έτσι ώστε το λογότυπο να βρίσκεται στην επάνω λαβή και η ένδειξη “TOP-SIDE” στην πλευρά της μονάδας να βλέπει προς τα επάνω. Πιέστε το μάνταλο απελευθέρωσης στην εσωτερική πλευρά της επάνω λαβής. Τραβήξτε προς τα έξω την επάνω και την κάτω λαβή.



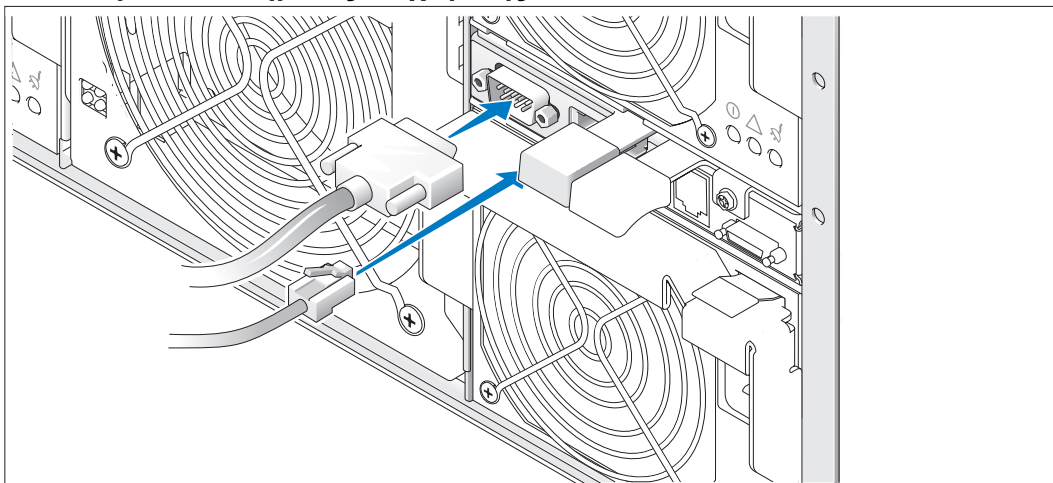
Ξεκινώντας από αριστερά προς τα δεξιά, σύρετε τις μονάδες μέσα στο σκελετό. Όταν οι ανοιχτές λαβές έρθουν σε επαφή με το μπροστινό πλαίσιο του σκελετού, αρχίστε να περιστρέφετε τις λαβές μαζί (η κάτω λαβή θα κλείσει πρώτη), ώσπου η κάτω λαβή να ακουμπήσει στο μπροστινό πλαίσιο της μονάδας. Συνεχίστε να περιστρέφετε την επάνω λαβή προς τα κάτω, ώσπου να ακουμπήσει στην κάτω λαβή. (Όταν οι λαβές κλείσουν εντελώς, το μάνταλο απελευθέρωσης θα ασφαλίσει και τις δύο λαβές στο μπροστινό πλαίσιο.)

Σύνδεση πληκτρολογίου, ποντικιού και οθόνης



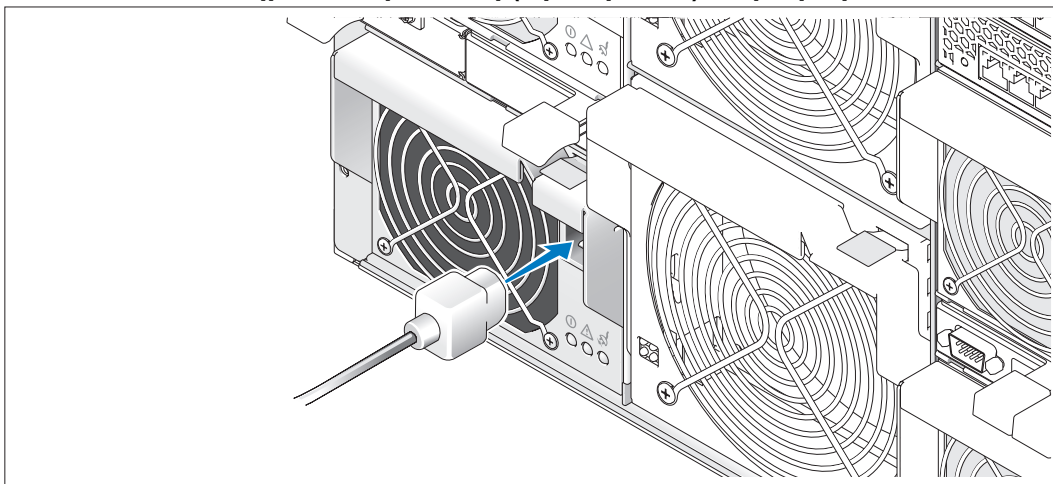
- 4 Συνδέστε το προσαρμοσμένο καλώδιο στη μονάδα KVM και στη συνέχεια συνδέστε το πληκτρολόγιο, το ποντίκι και την οθόνη (προαιρετικά) στο προσαρμοσμένο καλώδιο.

Σύνδεση του συστήματος διαχείρισης



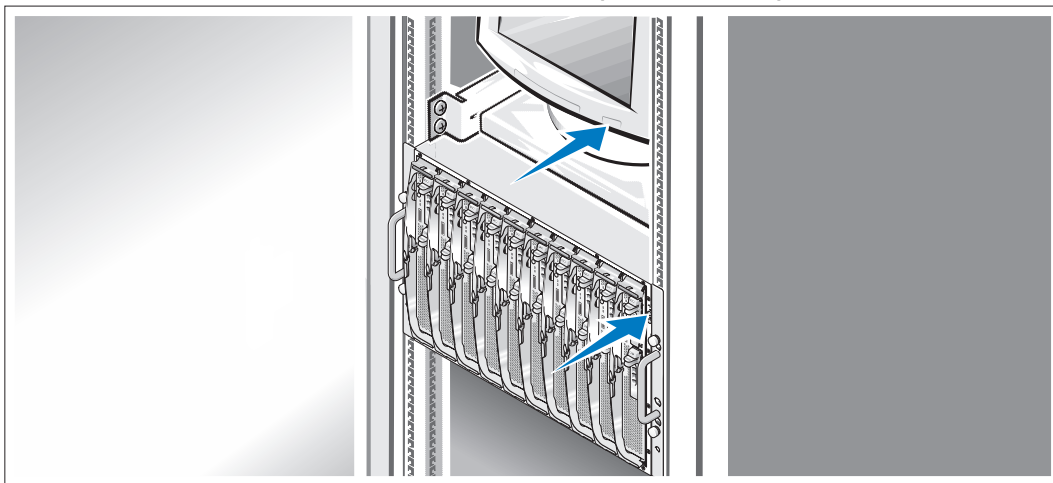
- 5 Συνδέστε το σειριακό καλώδιο και το καλώδιο δικτύου από το σύστημα διαχείρισης στη μονάδα DRAC/MC.

Συνδέστε το σύστημα και την οθόνη (προαιρετικά) στην τροφοδοσία



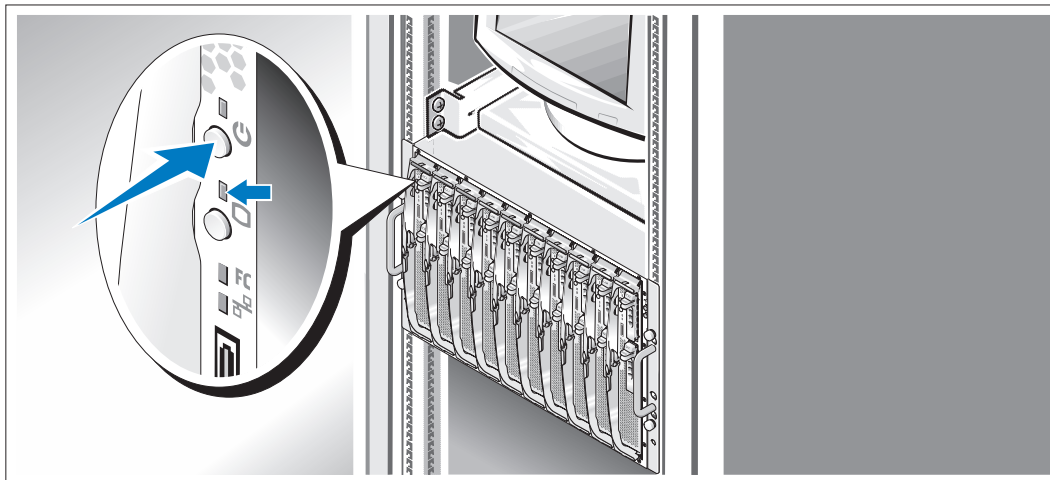
- 6 Συνδέστε το καλώδιο(α) τροφοδοσίας στο σύστημα. Στη συνέχεια, τοποθετήστε την άλλη άκρη του καλωδίου σε γειωμένο ρευματοδότη ή σε ξεχωριστή πηγή ηλεκτρικού ρεύματος, όπως είναι ένα σύστημα αδιάλειπτης τροφοδοσίας (UPS) ή μια μονάδα διανομής ρεύματος (PDU). Συνδέστε το καλώδιο τροφοδοσίας της οθόνης σε γειωμένο ρευματοδότη.

Ενεργοποιήστε το σύστημα και την οθόνη (προαιρετικά)



- 7 Πιέστε το κουμπί τροφοδοσίας στο σκελετό και την οθόνη. Θα πρέπει να ανάψουν οι ενδείξεις λειτουργίας. Ρυθμίστε τα κουμπιά ελέγχου της οθόνης ώσπου η εικόνα που εμφανίζεται να σας ικανοποιεί.

Ενεργοποίηση των μονάδων διακομιστή



- 8** Πιέστε το κουμπί τροφοδοσίας σε κάθε μονάδα διακομιστή ή ενεργοποιήστε τις μονάδες χρησιμοποιώντας το λογισμικό διαχείρισης συστημάτων.

Οι ενδείξεις KVM στις μονάδες διακομιστών δείχνουν ποια οθόνη μονάδας διακομιστή εμφανίζεται.

Ρυθμίστε τα κουμπιά ελέγχου της οθόνης ώσπου η εικόνα που εμφανίζεται να σας ικανοποιεί.

Ολοκληρώστε την εγκατάσταση του λειτουργικού συστήματος

Εάν έχετε αγοράσει ένα προεγκατεστημένο λειτουργικό σύστημα, ανατρέξτε στην τεκμηρίωση του λειτουργικού συστήματος που συνοδεύει το σύστημά σας. Για να εγκαταστήσετε ένα λειτουργικό σύστημα για πρώτη φορά, ανατρέξτε στον *Οδηγό γρήγορης εγκατάστασης*. Βεβαιωθείτε ότι το λειτουργικό σύστημα είναι εγκατεστημένο, πριν να εγκαταστήσετε υλικό ή λογισμικό που δεν έχετε αγοράσει μαζί με το σύστημα.

Τεχνικές προδιαγραφές

Μονάδα διακομιστή

Επεξεργαστής

Τύπος επεξεργαστή Έως δύο επεξεργαστές Intel Xeon της σειράς 5000.

Μνήμη

Αρχιτεκτονική Μονάδες μνήμης FBD DDR II DIMM, με διεμπλοκή δύο δρόμων, υπολογισμένες για λειτουργία στα 533- ή 677 MHz (όταν είναι διαθέσιμα)

Υποδοχές μονάδων μνήμης Οκτώ με 240 ακίδες

Χωρητικότητες μονάδων μνήμης 256 MB, 512 MB, 1 GB, 2 GB ή 4 GB

Ελάχιστη μνήμη RAM 512 MB

Μέγιστη μνήμη RAM 32 GB

Μονάδες

Μονάδες σκληρού δίσκου

Διαμόρφωση SAS Μία ή δύο μονάδες σκληρού δίσκου 2,5 ιντσών, θερμής σύνδεσης

Διαμόρφωση SATA Μία ή δύο μονάδες σκληρού δίσκου 2,5 ιντσών, θερμής σύνδεσης

ΣΗΜΕΙΩΣΗ: Μέσα στην ίδια μονάδα διακομιστή δεν είναι δυνατό να αναμιχθούν σκληροί δίσκοι SAS και SATA.

Συζευκτήρες

Εξωτερικής πρόσβασης

Εμπρός

Προσαρμοσμένοι Υποστήριξη δύο συσκευών USB και οθόνης μέσω προσαρμοσμένου καλωδίου

Οθόνη

Τύπος οθόνης Ελεγκτής οθόνης ATI ES1000

Μνήμη οθόνης 16 MB

Φυσικά χαρακτηριστικά	
Ύψος	28,575 εκ. (11,25 ίντσες)
Μήκος	4,241 εκ. (1,67 ίντσες)
Πλάτος	50,8 εκ. (20 ίντσες)
Βάρος (μέγιστη διαμόρφωση)	7,257 kg (16 λίβρες)

Μπαταρία

Μπαταρία μονάδας διακομιστή	CR 2032 3,0 V ιόντος λιθίου σε σχήμα νομίσματος
-----------------------------	---

Σύστημα

Περίβλημα συστήματος

Ύψος	31,038 εκ. (12,22 ίντσες)
Μήκος	42,519 εκ. (16,74 ίντσες)
Πλάτος	76,2 εκ. (30 ίντσες)
Βάρος (μέγιστη διαμόρφωση)	129,274 kg (285 λίβρες)

Μονάδα τροφοδοσίας

Τροφοδοσία AC (ανά παροχή τροφοδοσίας)

Ηλεκτρική ισχύς σε Watt	2100 W
Τάση	170–264 VAC, 50/60 Hz, 15,8 A στα 170 VAC, 9,9 A στα 264 VAC
Έκλυση θερμότητας	3480 BTU/ώρα το μέγιστο
Μέγιστο ρεύμα εισροής	Κάτω από τυπικές συνθήκες γραμμής και πάνω από την περιοχή λειτουργίας περιβάλλοντος ολόκληρου του συστήματος, το ρεύμα εισροής μπορεί να αγγίξει τα 55 A ανά παροχή τροφοδοσίας για 10 ms ή λιγότερο.

Φυσικά χαρακτηριστικά

Ύψος	9,70 εκ. (3,82 ίντσες)
Μήκος	12,90 εκ. (5,08 ίντσες)
Πλάτος	23,01 εκ. (9,06 ίντσες)
Βάρος	3,288 kg (7,25 λίβρες)

Μονάδα ανεμιστήρα

Φυσικά χαρακτηριστικά

Ύψος	14,732 εκ. (5,8 ίντσες)
Μήκος	15,748 εκ. (6,2 ίντσες)
Πλάτος	27,305 εκ. (10,75 ίντσες)
Βάρος	2,948 kg (6,5 λίβρες)

Μονάδα KVM

Συζευκτικές εξωτερικής πρόσβασης

Προσαρμοσμένοι	Προσαρμοσμένο καλώδιο που χρησιμοποιείται για δύο PS/2 και μία οθόνη
Θύρα ACI	RJ-45 (Μόνο αναλογικός μεταγωγέας KVM Avocent)
Ethernet	RJ-45 (Μόνο μεταγωγέας ψηφιακής πρόσβασης KVM Avocent)

Φυσικά χαρακτηριστικά

Ύψος	2,54 εκ. (1 ίντσα)
Μήκος	5,334 εκ. (2,1 ίντσες)
Πλάτος	28,194 εκ. (11,1 ίντσες)
Βάρος	0,272 kg (0,6 λίβρες)

Μονάδα DRAC/MC

Συζευκτικές εξωτερικής πρόσβασης

Απομακρυσμένη διαχείριση	Ειδικοί 10/100 RJ-45 (για ενσωματωμένο ελεγκτή απομακρυσμένης πρόσβασης Ethernet)
Σειριακή	9 ακίδων, DTE, συμβατή με 16550

Μπαταρία

Μπαταρία μονάδας	CR 2032 3,0 V ιόντος λιθίου σε σχήμα νομίσματος
------------------	---

Φυσικά χαρακτηριστικά

Ύψος	2,54 εκ. (1 ίντσες)
Μήκος	7,493 εκ. (2,95 ίντσες)
Πλάτος	26,03 εκ. (10,35 ίντσες)
Βάρος	0,363 kg (0,8 λίβρες)

Μονάδα μεταγωγέα Ethernet PowerConnect 5316M

Συζευκτήρες εξωτερικής πρόσβασης

Ethernet Gb 10/100/1000 Mbps	Έξι ανερχόμενες ζεύξεις RJ-45 αυτόματης διαπραγμάτευσης
------------------------------	---

Φυσικά χαρακτηριστικά

Ύψος	3,302 εκ. (1,3 ίντσες)
Μήκος	13,081 εκ. (5,15 ίντσες)
Πλάτος	27,432 εκ. (10,8 ίντσες)
Βάρος	0,816 kg (1,8 λίβρες)

Μονάδα Ethernet Gb με λειτουργία Pass-Through

Συζευκτήρες εξωτερικής πρόσβασης

Ethernet	Δέκα ανερχόμενες ζεύξεις RJ-45 (για ενσωματωμένες κάρτες διασύνδεσης δικτύου 1 Gbps)
----------	--

ΣΗΜΕΙΩΣΗ: Οι ανερχόμενες ζεύξεις με τη λειτουργία Pass-through υποστηρίζουν μόνο σύνδεση 1000 Mbps.

Φυσικά χαρακτηριστικά

Ύψος	3,302 εκ. (1,3 ίντσες)
Μήκος	13,081 εκ. (5,15 ίντσες)
Πλάτος	27,432 εκ. (10,8 ίντσες)
Βάρος	0,816 kg (1,8 λίβρες)

Μονάδα καναλιού ινών με λειτουργία Pass-Through

Συζευκτήρες εξωτερικής πρόσβασης

Πομποδέκτης καναλιού ινών	Δέκα υποδοχές πομποδέκτη GPIO, 76 ακίδων, 3,5 Gbps
---------------------------	--

Φυσικά χαρακτηριστικά

Ύψος	3,302 εκ. (1,3 ίντσες)
Μήκος	13,081 εκ. (5,15 ίντσες)
Πλάτος	27,432 εκ. (10,8 ίντσες)
Βάρος	0,816 kg (1,8 λίβρες)

Μονάδα μεταγωγέα καναλιού ινών

Συζευκτικές εξωτερικής πρόσβασης

Κανάλι ινών	Τέσσερις θύρες παγκόσμιας αυτόματης ανίχνευσης (E, F και FL)
Ethernet 1/2/4 Gb/s	RJ-45

Φυσικά χαρακτηριστικά

Ύψος	3,302 εκ. (1,3 ίντσες)
Μήκος	13,081 εκ. (5,15 ίντσες)
Πλάτος	27,432 εκ. (10,8 ίντσες)
Βάρος	1,06 kg (2,35 λίβρες)

Μονάδα Infiniband με λειτουργία Pass-Through

Συζευκτικές εξωτερικής πρόσβασης

Infiniband	Δέκα θύρες 4X
------------	---------------

Φυσικά χαρακτηριστικά

Ύψος	3,302 εκ. (1,3 ίντσες)
Μήκος	13,081 εκ. (5,15 ίντσες)
Πλάτος	27,432 εκ. (10,8 ίντσες)
Βάρος	1,8 kg (4 λίβρες)

Χαρακτηριστικά περιβάλλοντος

ΣΗΜΕΙΩΣΗ: Για επιπλέον πληροφορίες σχετικά με τις περιβαλλοντικές μετρήσεις για συγκεκριμένες διαμορφώσεις συστήματος, επισκεφτείτε τη διεύθυνση www.dell.com/environmental_datasheets. Το σύστημα δεν προορίζεται για χρήση σε περιβάλλον γραφείου.

Θερμοκρασία

Λειτουργίας

10° έως 35°C (50° έως 95°F)

ΣΗΜΕΙΩΣΗ: Μειώστε τη μέγιστη θερμοκρασία κατά 1°C (1,8°F) για κάθε 300 μέτρα (985 πόδια) πάνω από τα 900 μέτρα (2.955 πόδια).

Αποθήκευσης

-40° έως 65°C (-40° έως 149°F)

Σχετική υγρασία

Λειτουργίας

8% έως 85% (χωρίς συμπύκνωση) με μέγιστη βαθμίδα υγρασίας 10% ανά ώρα

Αποθήκευσης

5% έως 95% (χωρίς συμπύκνωση)

Μέγιστη ταλάντευση

Λειτουργίας

0,25 G στα 3–200 Hz για 15 λεπτά

Αποθήκευσης

0,5 G στα 3–200 Hz για 15 λεπτά

Μέγιστη δόνηση

Λειτουργίας

Ένας παλμός δόνησης στο θετικό τμήμα του άξονα z (ένας παλμός στην κάθε πλευρά του συστήματος) των 41 G για έως και 2 ms

Αποθήκευσης

Έξι διαδοχικά εκτελεσμένοι παλμοί δόνησης στο θετικό και αρνητικό τμήμα των αξόνων x, y και z (ένας παλμός στην κάθε πλευρά του συστήματος) των 71 G για έως και 2 ms

Υψόμετρο

Λειτουργίας

-16 έως 3.048 μέτρα (-50 έως 10.000 πόδια)

Αποθήκευσης

-16 έως 10.600 μέτρα (-50 έως 35.000 πόδια)

Rozpoczęcie pracy z systemem

Uwagi, pouczenia i przestrogi



UWAGA: UWAGA oznacza ważną informację, która pomoże lepiej wykorzystać komputer.



POUCZENIE: POUCZENIE wskazuje na możliwość uszkodzenia sprzętu lub utraty danych i informuje o sposobie uniknięcia problemu.



OSTRZEŻENIE: OSTRZEŻENIE wskazuje na możliwość zaistnienia sytuacji niebezpiecznej, której skutkiem mogą być uszkodzenia sprzętu, obrażenia ciała lub śmierć.

Informacje zamieszczone w tym dokumencie mogą zostać zmienione bez uprzedzenia.

© 2006 Dell Inc. Wszystkie prawa zastrzeżone.

Zabrania się powielania w jakiegokolwiek postaci bez pisemnej zgody firmy Dell Inc.

Znaki towarowe użyte w niniejszym tekście: *Dell*, logo *DELL* oraz *Dell OpenManage* są znakami towarowymi firmy Dell Inc.; *Microsoft* oraz *Windows* są zarejestrowanymi znakami towarowymi, a *Windows Server* jest znakiem towarowym firmy Microsoft Corporation; *Intel* oraz *Xeon* są zarejestrowanymi znakami towarowymi firmy Intel Corporation; *SUSE* jest zarejestrowanym znakiem handlowym firmy Novell, Inc.; *Red Hat* jest zarejestrowanym znakiem handlowym firmy Red Hat, Inc.

W niniejszym tekście mogą występować inne znaki towarowe i nazwy handlowe odnoszące się zarówno do podmiotów mających prawo do tych znaków i nazw, jak i do ich produktów. Dell Inc. nie zgłasza roszczeń do innych znaków i nazw handlowych poza swoimi.

Model BMX

Styczeń 2006

P/N FD316

Rev. A00

Funkcje systemu

Ta sekcja opisuje najważniejsze cechy sprzętu i oprogramowania wchodzącego w skład systemu. Dostarcza ona również informacji o innych dokumentach niezbędnych podczas konfiguracji systemu oraz informuje o sposobie uzyskania pomocy technicznej.

- Obsługa aż do dziesięciu modułów serwera. Ta obudowa może obsłużyć od jednego do dziesięciu modułów serwera. (Jeżeli w obudowie zainstalowanych jest mniej niż dziesięć modułów serwera, dla zachowania prawidłowego chłodzenia wymagane są zaślepki zamykające puste miejsca na moduły serwera).
- Kontroler zdalnego dostępu/obudowa modułu Dell™ (DRAC/MC) zapewniające dostęp do oprogramowania używanego do zarządzania systemami.
 - Aby uzyskać dostęp do funkcji zarządzania systemami, proszę podłączyć kabel modemu zerowego dostarczony wraz z systemem pomiędzy do szeregowego portu zarządzania i komputera zewnętrznego. Informacje dotyczące zarządzania systemem można również uzyskać poprzez przeglądarkę internetową podłączoną do portu zarządzania RJ-45. Oprogramowanie do zarządzania systemami monitoruje status systemu i modułu serwera.
 - Wbudowane obwody zarządzania systemami, które monitorują działanie wentylatorów systemu, jak również napięcie krytyczne i temperaturę krytyczną systemu. Obwody zarządzania systemami pracują w połączeniu z oprogramowaniem do zarządzania systemami.
- Obsługa połączeń I/O (wejście/wyjście) włącznie z modułami przelotowymi oraz modułami przełączników sieciowych. Istnieje możliwość instalacji aż do czterech modułów I/O. (Jeżeli w obudowie zainstalowanych jest mniej niż cztery moduły I/O, dla zachowania prawidłowego chłodzenia wymagane są zaślepki zamykające puste miejsca na moduły). Podłączenie modułu I/O możliwe jest po zainstalowaniu w modułach serwera dodatkowych kart podrzędnych.
- Dwa wentylatory do chłodzenia systemu podłączane podczas pracy urządzenia. Każdy moduł wentylatora posiada dwa wymienne wentylatory.
- Dwa zasilacze o mocy 2100 W, podłączane podczas pracy urządzenia oraz dwie zaślepki dla zasilaczy, lub cztery zasilacze o mocy 2100 W podłączane podczas pracy urządzenia. Dwa zasilacze zapewniają zasilanie systemu, natomiast dwa dodatkowe zasilacze zapewniają zasilanie nadmiarowe.



POUCZENIE: Zasilacze o mocy 1200 W nie są obsługiwane przez system.

Funkcje modułu serwera

- Jeden lub dwa procesory Intel® Xeon® 5000.
- Obsługa funkcji symetrycznego wieloprzetwarzania (SMP), która ogromnie poprawia ogólną wydajność systemu dzieląc operacje procesora pomiędzy niezależne procesory. Aby móc korzystać z tej funkcji, konieczne jest posiadanie systemu operacyjnego obsługującego wieloprzetwarzanie.
- Min. 512 MB z 533 lub 677 (jeżeli takowe są dostępne) MHz, całkowicie buforowana pamięć DIMM (FBD), rozszerzalna do maks. 32 GB poprzez zainstalowanie kombinacji dwukierunkowych modułów pamięci 256-MB, 512-MB, 1-GB, 2 -GB lub 4GB z przeplotem w ośmiu gniazdach przeznaczonych na moduły pamięci dostępnych na płycie systemowej.

System obsługuje również funkcje pozwalające na oszczędzanie pamięci lub tworzenie kopii zwierciadlanej pamięci, jeżeli we wszystkich gniazdach zostaną zainstalowane identyczne moduły pamięci.

- Obsługa aż do dwóch 2,5-calowych dysków twardych SAS lub SATA podłączanych podczas pracy urządzenia.



UWAGA: W obrębie jednego modułu serwera nie można instalować razem dysków twardych SAS i SATA.

- Funkcja kopii zwierciadlanej wbudowanego dysku wewnętrznego pozwala na tworzenie kopii zwierciadlanej dwóch dysków poprzez zintegrowany kontroler RAID.
- Port zewnętrzny przeznaczony do obsługi urządzeń USB podłączonych poprzez kabel własny. Urządzenia USB obejmują mysz, klawiaturę, napęd flash, stację dyskietek 3,5 calowych o pojemności 1,44 MB lub napęd optyczny.



UWAGA: Obsługiwane są tylko stacje dyskietek USB oraz napędy optyczne firmy Dell, proszę używać tylko kabla zgodnego ze standardem USB 2.0, którego długość nie przekracza 3 metrów (118,1 cali).

- Zintegrowany podsystem kompatybilny z grafiką VGA z kontrolerem grafiki ATI ES1000. Ten podsystem grafiki posiada 16 MB pamięci SDRAM dla grafiki (nie może być rozbudowany). Maksymalna rozdzielczość wynosi 1280 x 1024 x 65,000 kolorów (bez przeplotu).
- Obwody zarządzania systemami, które monitorują działanie wentylatorów systemu, jak również napięcie krytyczne i temperaturę krytyczną systemu. Obwody zarządzania systemami pracują w połączeniu z oprogramowaniem do zarządzania systemami.

Aby uzyskać więcej informacji o poszczególnych funkcjach, proszę zapoznać się z rozdziałem „Specyfikacja techniczna.”

System zawiera następujące oprogramowanie:

- Program do konfiguracji systemu umożliwiający szybkie obejrzenie i zmianę informacji o konfiguracji systemu. Więcej informacji o tym programie znaleźć można w rozdziale „Korzystanie z programu konfiguracji systemu” w *Podręczniku użytkownika sprzętu*.
- Udoskonalone funkcje zabezpieczeń, obejmujące hasło systemu i hasło konfiguracji, dostępne poprzez program konfiguracji systemu.


- Diagnostyka systemu umożliwiająca ocenę elementów systemu oraz urządzeń. Więcej informacji na temat diagnostyki systemu znaleźć można w rozdziale “Uruchamianie diagnostyki systemu” w *Podręczniku użytkownika sprzętu*.
- Sterowniki grafiki umożliwiające wyświetlanie wielu popularnych aplikacji w trybach wysokiej rozdzielczości.
- Oprogramowanie do zarządzania systemem oraz dokumentacja. Oprogramowanie do zarządzania systemem używane jest do zarządzania i monitorowania poszczególnych modułów serwerów oraz systemu jako całości, wraz z modułami serwerów, modułami przełączników sieciowych, zasilaczami i wentylatorami. Oprogramowanie do zarządzania systemem umożliwia lokalne i zdalne zarządzanie systemem w sieci. Firma Dell zaleca stosowanie programu do zarządzania systemami dostarczonego wraz z systemem.
- Opcjonalne oprogramowanie do rozwiązań w zakresie tworzenia i użytkowania serwerów www, buforowania oraz równoważenia obciążenia. W celu uzyskania dalszych informacji proszę zapoznać się z dokumentacją dostarczoną wraz z odnośnym oprogramowaniem.

Obsługiwane systemy operacyjne


Ten system obsługuje następujące systemy operacyjne:

- Microsoft® Windows® 2000 Server oraz Advanced Server wraz z dodatkiem Service Pack 4 lub nowszym.
- Microsoft Windows Server™ 2003 Standard Edition, Enterprise Edition oraz Web Edition Server wraz z dodatkiem Service Pack 1 lub nowszym.
- Microsoft Windows Server 2003 Standard oraz Enterprise x64
- Red Hat® Enterprise Linux AS, ES oraz WS (wersja 3) dla Intel x86
- Red Hat Enterprise Linux AS, ES oraz WS (wersja 4) dla Intel x86
- Red Hat Enterprise Linux dla technologii rozszerzonej pamięci Intel EM 64T, AS, ES i WS (wersja 4).
- SUSE® Linux Enterprise Server 9 dla Intel EM64T

Inne przydatne informacje

 **OSTRZEŻENIE:** *Przewodnik z informacjami o produkcji* dostarcza ważnych informacji dotyczących bezpieczeństwa oraz informacji prawnych. Informacje dotyczące gwarancji mogą zostać zamieszczone w tym dokumencie lub dostarczone jako oddzielny dokument.

- *Instrukcja instalacji stelażu* lub *Przewodnik instalacji stelażu* dostarczony wraz ze stelażem opisuje sposób instalacji systemu na stelażu.
- *Podręcznik użytkownika sprzętu* dostarcza informacji o funkcjach systemu i opisuje sposób rozwiązywania problemów zaistniałych podczas użytkowania systemu oraz sposób instalacji lub wymiany elementów systemu.
- *Podręcznik użytkownika modułu BMC Dell OpenManage* dostarcza szczegółowych informacji dotyczących modułu BMC.
- *Podręcznik użytkownika kontrolera zdalnego dostępu/obudowy modułowej firmy Dell* dostarcza szczegółowych informacji dotyczących funkcji zdalnego zarządzania systemem.
- *Przewodnik po konfiguracji* dostarcza informacji dotyczących konfigurowania systemu oraz modułów serwerów w obrębie systemu.
- Płyta CD dołączona do systemu dostarcza dokumentacji i narzędzi niezbędnych do konfigurowania systemu i zarządzania nim.
- Dokumentacja dołączona do oprogramowania do zarządzania systemem opisuje funkcje, wymagania instalacyjne i podstawowe działanie oprogramowania.
- Dokumentacja systemu operacyjnego opisuje, w jaki sposób zainstalować (w razie konieczności), skonfigurować oraz użytkować oprogramowanie systemu operacyjnego.
- Dokumentacja dołączona do innych, osobno zakupionych elementów, dostarcza informacje na temat konfigurowania i instalowania tych opcji.
- Czasem wraz z systemem dostarczane są aktualizacje opisujące zmiany w oprogramowaniu systemowym i/lub dokumentacji.

 **UWAGA:** Proszę zawsze szukać aktualizacji na stronie support.dell.com i czytać je, ponieważ aktualizacje często pojawiają się na stronie internetowej z wyprzedzeniem w stosunku do innych dokumentów.

- Informacje handlowe o wersji systemu lub pliki readme mogą być dołączone do systemu w celu dostarczenia uaktualnień wprowadzonych do systemu lub dokumentacji w ostatniej chwili lub mogą stanowić zaawansowany materiał referencyjny przeznaczony dla doświadczonych użytkowników lub personelu technicznego.

Uzyskiwanie pomocy technicznej

Jeżeli nie rozumieją Państwo procedur opisanych w tym przewodniku lub jeżeli system nie działa zgodnie z oczekiwaniami, proszę zapoznać się z *Podręcznikiem użytkownika sprzętu*.

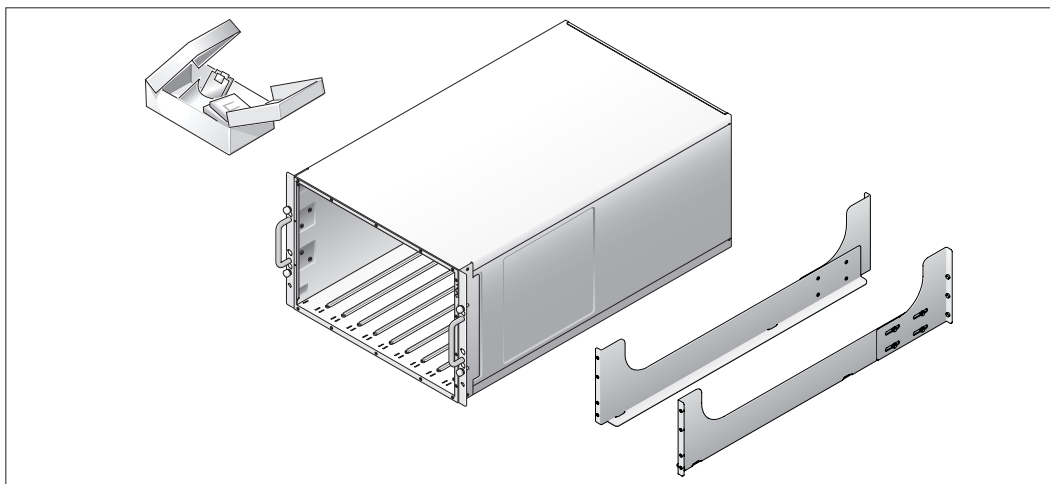
Dostępne są również szkolenia i certyfikaty firmy Dell Enterprise – proszę odwiedzić stronę internetową www.dell.com/training w celu uzyskania dalszych informacji. Ta usługa może nie być dostępna we wszystkich miejscach.

Instalacja i konfiguracja

⚠ OSTRZEŻENIE: Przed wykonaniem poniższej procedury należy przeczytać i zastosować się do instrukcji bezpieczeństwa oraz ważnych informacji prawnych zamieszczonych w *Przewodnik z informacjami o produkcie*.

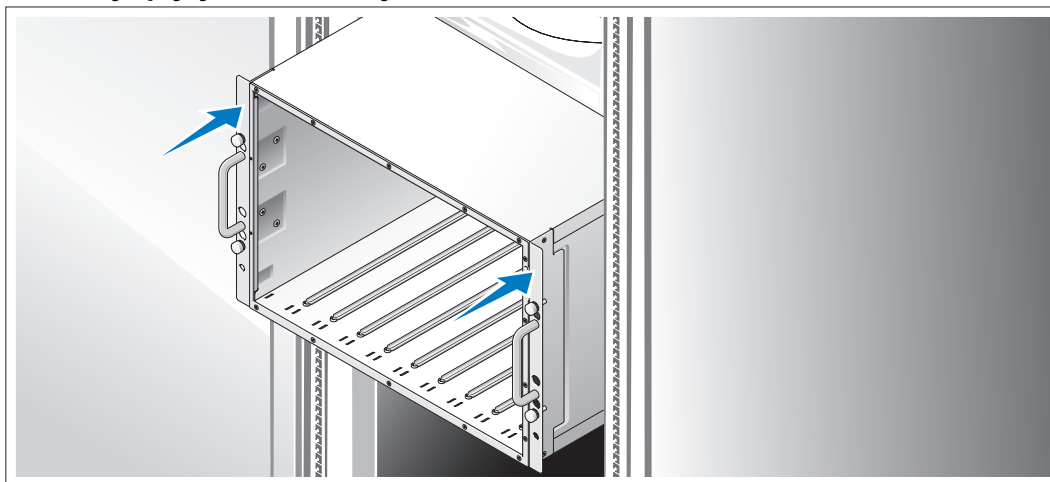
Ta sekcja opisuje czynności, które wymagane są podczas konfigurowania systemu po raz pierwszy.

Rozpakowanie systemu



- 1 Proszę rozpakować system i zidentyfikować jego poszczególne elementy.
Zachowaj wszystkie opakowania na wypadek potrzeby późniejszego ich wykorzystania.

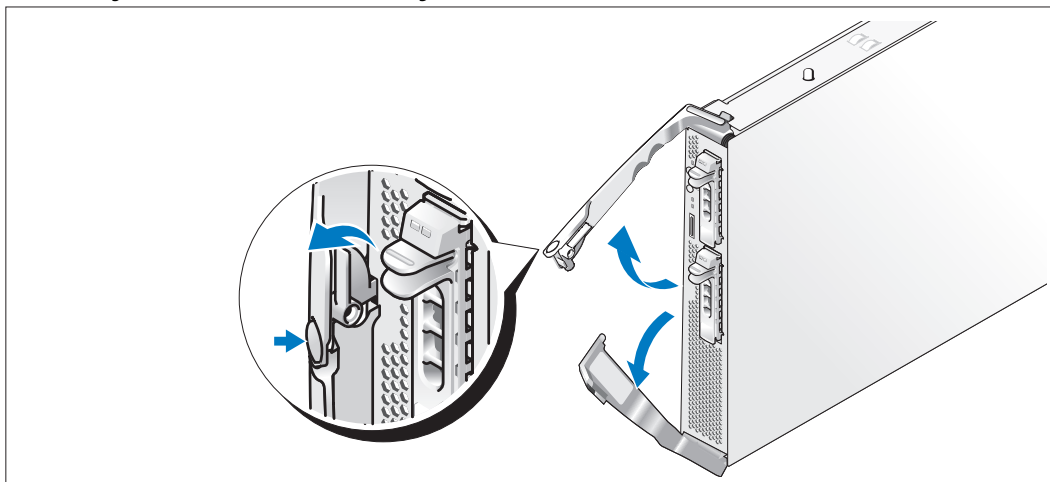
Instalacja płyty montażowej na stelażu



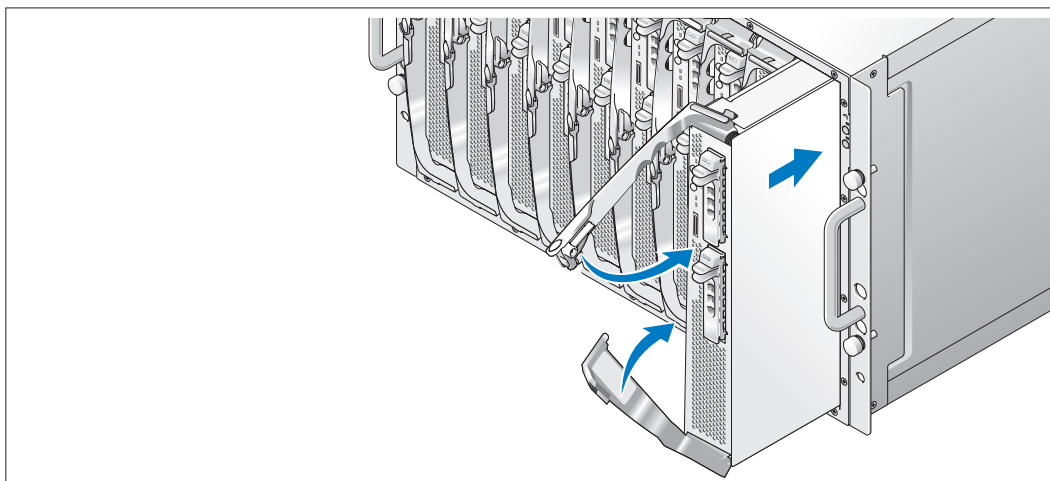
- 2 Po przeczytaniu “Instrukcji dotyczących bezpieczeństwa” przedstawionych w dokumentacji instalacyjnej stelażu przeznaczonego dla systemu, proszę zainstalować system na stelażu.

W celu uzyskania instrukcji dotyczących instalowania systemu w stelażu, należy przejrzeć dokumentację instalacji stelaża.

Instalacja modułów serwerowych

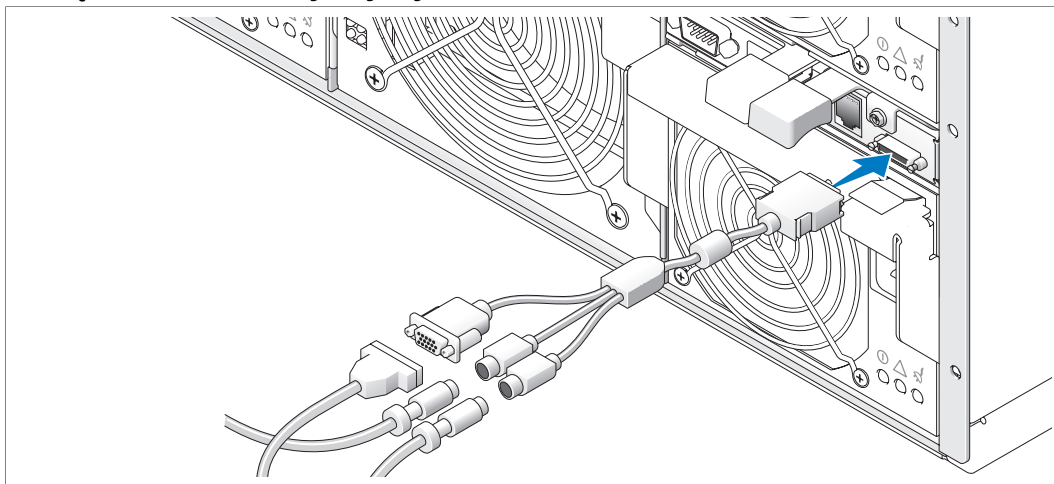


- 3** Przed zainstalowaniem modułów proszę umieścić je w takiej pozycji, aby na górnym uchwycie znajdowało się logo a „Górna-Strona” krawędzi modułu skierowana była ku górze. Proszę wcisnąć zatrzask zwalniający znajdujący się wewnątrz górnego uchwytu.



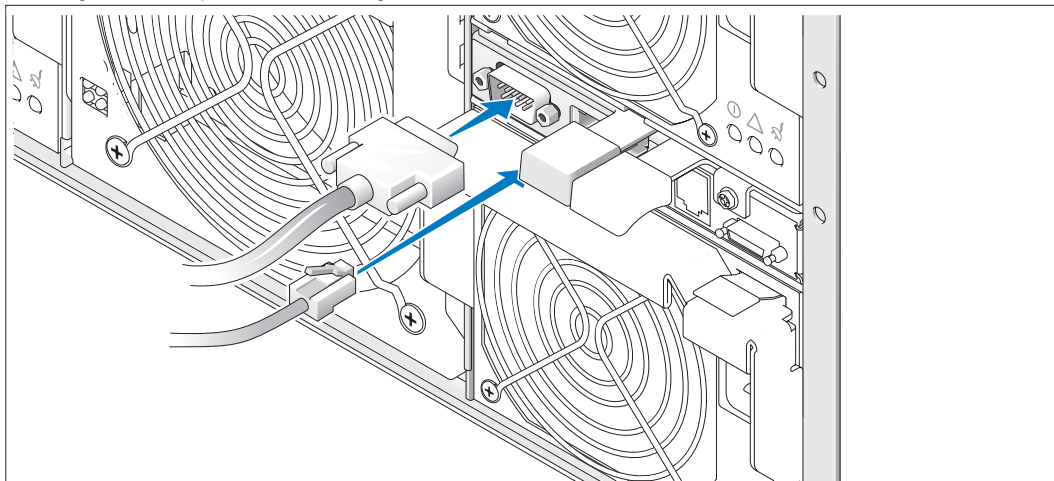
Począwszy od strony lewej do prawej, proszę wsuwać moduły w obudowy. Gdy otwarte uchwyty zetkną się z przednim panelem płyty, proszę zacząć razem przekręcać uchwyty (niższy uchwyt zamknie pierwszy), aż niższy uchwyt będzie w równej linii z przednim panelem modułu. Następnie proszę przykręcić górny uchwyt w dół, aż będzie w równej linii z niższym uchwytem. (Gdy uchwyty są całkowicie zamknięte, zatrzask zwalniający przytrzymuje oba uchwyty do przedniego panelu.)

Podłączenie klawiatury, myszy i monitora



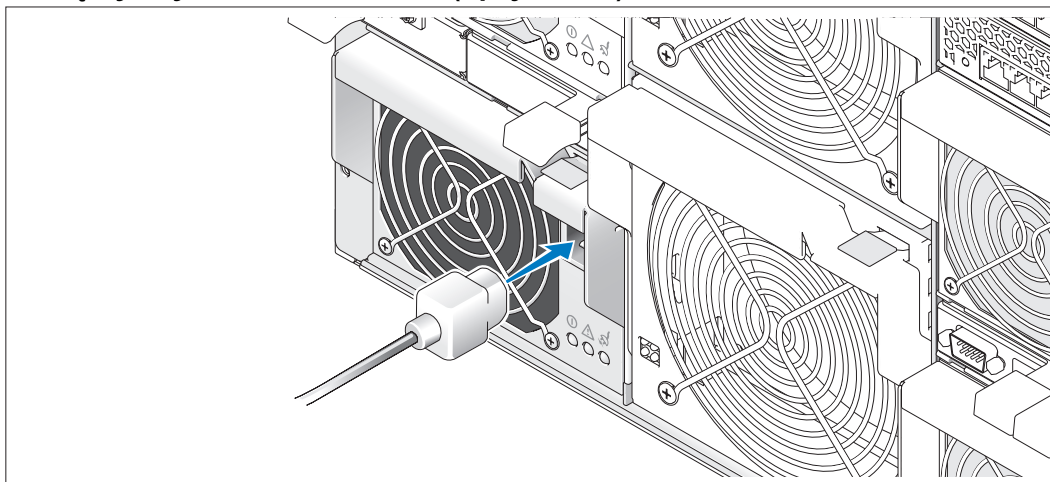
- 4 Proszę podłączyć kabel własny urządzenia do modułu KVM, a następnie podłączyć złącza klawiatury, myszy i monitora (opcjonalnie).

Podłączanie systemu zarządzania



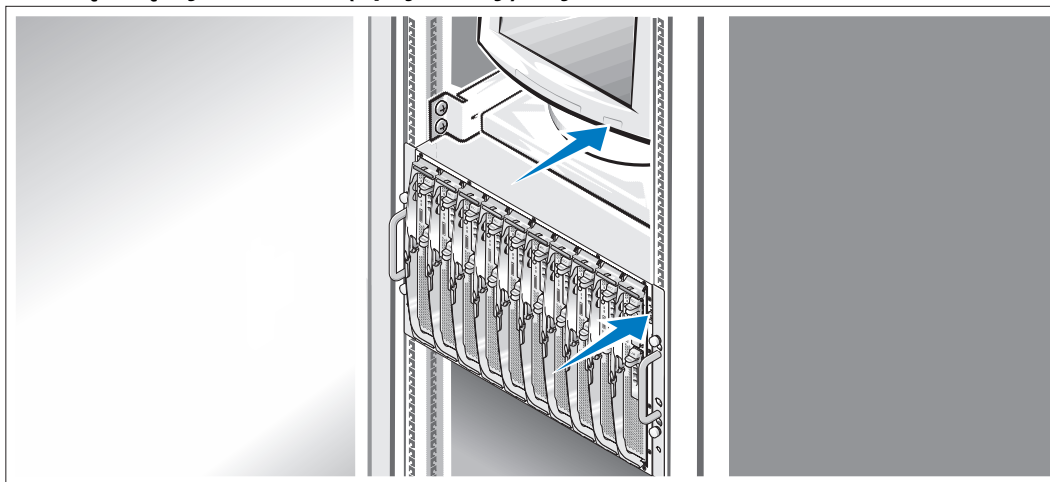
- 5 Proszę podłączyć kabel szeregowy i kabel sieciowy do systemu zarządzającego i modułu DRAC/MC.

Podłączyć system oraz monitor (opcjonalne) do zasilania



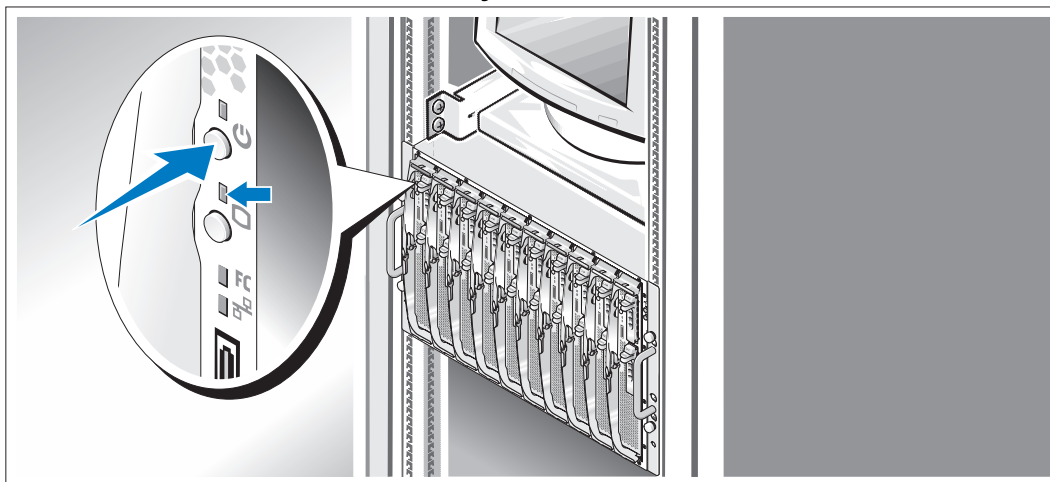
- 6 Podłączyć kable zasilania do systemu. Następnie podłączyć drugą końcówkę tych kabli do uziemionego gniazdka zasilania lub oddzielnego źródła zasilania, jak np. do zasilania bezprzerwowego (UPS) lub do jednostki rozdziału zasilania (PDU). Kabel monitora podłączyć do uziemionego gniazdka zasilania.

Proszę włączyć monitor (opcjonalny) i system



- 7 Proszę nacisnąć przycisk zasilania na monitorze i systemie. Powinny zaświecić się wskaźniki zasilania. Proszę wyregulować ustawienia monitora aż do uzyskania odpowiedniego obrazu.

Uruchomienie modułów serwerowych



- 8 Proszę nacisnąć przycisk zasilania na każdym module serwerowym lub uruchomić moduły przy użyciu oprogramowania do zarządzania systemami.

Wskaźniki KVM na modułach serwerowych pokazują, z którego modułu serwerowego jest wyświetlany obraz.

Proszę wyregulować ustawienia monitora aż do uzyskania odpowiedniego obrazu.

Zakończenie konfiguracji systemu operacyjnego

Jeżeli zakupili Państwo system operacyjny zainstalowany fabrycznie, proszę zapoznać się z dokumentacją systemu operacyjnego dostarczonego wraz z systemem. Aby zainstalować system operacyjny po raz pierwszy, należy zapoznać się z *Przewodnikiem Szybkiej Instalacji*. Przed instalacją sprzętu lub oprogramowania nie nabytego wraz z systemem, należy upewnić się, czy w komputerze został zainstalowany system operacyjny.

Specyfikacja techniczna

Moduł serwerowy

Procesor	
Typ procesora	Jeden lub dwa procesory Intel® Xeon® 5000.

Pamięć	
Architektura	Moduły FBD DDR II DIMM z przeplotem dwukierunkowym o częstotliwości 533- lub 677-MHz (gdy takowa jest dostępna).
Gniazda modułów pamięci	osiem gniazd 240-pinowych
Pojemność modułów pamięci	256 MB, 512 MB, 1 GB, 2 GB lub 4 GB
Minimum RAM	512 MB
Maksimum RAM	32 GB

Napędy	
Dyski twarde	
Konfiguracja SAS	Jeden lub dwa 2,5 calowe dyski twarde podłączane podczas pracy urządzenia.
Konfiguracja SATA	Jeden lub dwa 2,5 calowe dyski twarde podłączane podczas pracy urządzenia. UWAGA: W obrębie jednego modułu serwera nie można instalować razem dysków twardych SAS i SATA.

Złącza	
Dostępne z zewnątrz	
Przednie	
Własne	Obsługuje dwa urządzenia USB oraz grafikę poprzez kabel własny.

Grafika	
Typ grafiki	Kontroler grafiki ATI ES1000
Pamięć grafiki	16 MB

Cechy fizyczne

Wysokość	28.575 cm (11.25 cali)
Szerokość	4.241 cm (1.67 cala)
Głębokość	50.8 cm (20 cali)
Waga (konfiguracja maksymalna)	7.257 kg (16 funtów)

Bateria

Bateria modułu serwerowego	Ogniwo li-ion CR 2032 3.0-V
----------------------------	-----------------------------

System

Obudowa systemu

Wysokość	31.038 cm (12.22 cali)
Szerokość	42.519 cm (16.74 cali)
Głębokość	76.2 cm (30 cali)
Waga (konfiguracja maksymalna)	129.274 kg (285 funtów)

Moduł zasilacza

Zasilacz AC (do zasilania prądem zmiennym)

Moc	2100 W
Napięcie	170–264 VAC, 50/60 Hz, 15.8 A przy 170 VAC, 9.9 A przy 264 VAC
Rozproszenie ciepła	3480 BTU/godz. - max.
maks. napięcie przy włączeniu	Przy typowych warunkach dla całego zakresu uwarunkowań otoczenia dla systemu, prąd przy włączeniu może osiągnąć 55 A dla każdego zasilacza przy 10 ms lub mniej.

Cechy fizyczne

Wysokość	9.70 cm (3.82 cali)
Szerokość	12.90 cm (5.08 cali)
Głębokość	23.01cm (9.06 cali)
Waga	3.288 kg (7.25 funtów)

Moduł wentylatora

Cechy fizyczne

Wysokość	14.732 cm (5.8 cali)
Szerokość	15.748 cm (6.2 cali)
Głębokość	27.305 cm (10.75 cali)
Waga	2.948 kg (6.5 funtów)

Moduł KVM

Złącza dostępne z zewnątrz

Własne	Kabel własny używany dla dwóch złącz PS/2 oraz jednego złącza grafiki
Port ACI	RJ-45 (tylko przełączniki analogowe KVM firmy Avocent)
Ethernet	RJ-45 (tylko cyfrowe przełączniki dostępu KVM firmy Avocent)

Cechy fizyczne

Wysokość	2.54 cm (1 cal)
Szerokość	5.334 cm (2.1cali)
Głębokość	28.194 cm (11.1 cali)
Waga	0.272 kg (.6 funtów)

Moduł DRAC/MC

Złącza dostępne z zewnątrz

Zarządzanie zdalne	10/100 RJ-45 (dla zintegrowanego kontrolera dostępu zdalnego dla sieci Ethernet)
Szeregowy	9-pinowy, DTE, kompatybilny z 16550

Bateria

Bateria modułu	Ogniwo li-ion CR 2032 3.0-V
----------------	-----------------------------

Cechy fizyczne

Wysokość	2.54 cm (1 cal)
Szerokość	7.493 cm (2.95 cali)
Głębokość	26.03 cm (10.35 cali)
Waga	0.363 kg (.8 funtów)

Moduł przełącznika sieci Ethernet PowerConnect 5316M

Złącza dostępne z zewnątrz

Gb 10/100/1000 Mbps Ethernet	Sześć złącz połączenia nadrzędnego RJ-45 z funkcją automatycznego uzgadniania
------------------------------	---

Cechy fizyczne

Wysokość	3.302 cm (1.3 cala)
Szerokość	13.081 cm (5.15 cali)
Głębokość	27.432 cm (10.8 cali)
Waga	0.816 kg (1.8 funta)

Gigabitowy moduł przelotowy sieci Ethernet

Złącza dostępne z zewnątrz

Ethernet	Dziesięć złącz połączenia nadrzędnego RJ-45 (dla zintegrowanej 1-GB karty NIC) UWAGA: Obsługa złącz przelotowych połączenia nadrzędnego tylko dla połączeń o prędkości 1000 Mbps.
----------	---

Cechy fizyczne

Wysokość	3.302 cm (1.3 cala)
Szerokość	13.081 cm (5.15 cali)
Głębokość	27.432 cm (10.8 cali)
Waga	0.816 kg (1.8 funta)

Światłowodowy moduł przelotowy

Złącza dostępne z zewnątrz

Światłowodowy nadajnik-odbiornik	Dziesięć 76-pinowych gniazd urządzeń nadawczo-odbiorczych GP10 (3,5 Gbps)
----------------------------------	---

Cechy fizyczne

Wysokość	3.302 cm (1.3 cala)
Szerokość	13.081 cm (5.15 cali)
Głębokość	27.432 cm (10.8 cali)
Waga	0.816 kg (1.8 funta)

światłowodowy moduł przełącznika

Złącza dostępne z zewnątrz

światłowód	Cztery uniwersalne (E, F i FL) porty z funkcją automatycznego wykrywania
1/2/4 Gb/s Ethernet	RJ-45

Cechy fizyczne

Wysokość	3.302 cm (1.3 cala)
Szerokość	13.081 cm (5.15 cali)
Głębokość	27.432 cm (10.8 cali)
Waga	1.06 kg (2.35 funtów)

Moduł przelotowy Infiniband

Złącza dostępne z zewnątrz

Infiniband	Dziesięć portów 4X
------------	--------------------

Cechy fizyczne

Wysokość	3.302 cm (1.3 cala)
Szerokość	13.081 cm (5.15 cali)
Głębokość	27.432 cm (10.8 cali)
Waga	1.8 kg (4 funty)

Warunki panujące w otoczeniu

UWAGA: Dla uzyskania dodatkowych informacji o warunkach panujących w otoczeniu dla poszczególnych konfiguracji systemu, proszę odwiedzić stronę internetową www.dell.com/environmental_datasheets Ten system nie nadaje się do użytku w otoczeniu biurowym.

Temperatura:

Podczas eksploatacji	10° do 35°C (50° do 95°F) UWAGA: Temperaturę maksymalną należy obniżyć o 1°C (1.8°F) na każde 300 m (985 stóp) dla wysokości przekraczającej 900 m (2955 stóp).
Podczas przechowywania	-40° do 65°C (-40° do 149°F)

Wilgotność względna

Podczas eksploatacji	8% do 85% (bez kondensacji) przy maksymalnym gradiencie wilgotności wynoszącym 10% na godzinę
Podczas przechowywania	5% do 95% (przy braku kondensacji)

Maksymalne natężenie wibracji

Podczas eksploatacji	0.25 G przy 3–200 Hz przez 15 min
Podczas przechowywania	0,5 G przy 3–200 Hz przez 15 min

Maksymalne wstrząsy


Podczas eksploatacji	Jeden wstrząs na osi dodatniej (jeden wstrząs po każdej stronie systemu) o sile 41 G aż do 2 ms
Podczas przechowywania	Sześć kolejnych wstrząsów na osi dodatniej i ujemnej x, z oraz osi z (jeden wstrząs po każdej stronie systemu) o sile 71 G aż do 2 ms


Wysokość


Podczas eksploatacji	-16 do 3048 m (-50 do 10,000 stóp)
Podczas przechowywania	-16 do 10 600 m (-50 do 35,000 stóp)

Начало работы с системой

Примечания, замечания и предупреждения

 **ПРИМЕЧАНИЕ:** Содержит важную информацию, которая поможет использовать компьютер более эффективно.

 **ВНИМАНИЕ:** Указывает на возможность повреждения оборудования или потери данных и объясняет, как этого избежать.

 **ПРЕДУПРЕЖДЕНИЕ:** Указывает на потенциальную опасность повреждения, получения легких травм или угрозу для жизни.

Информация в этом документе может быть изменена без уведомления.

© 2006 Dell Inc. Все права защищены.

Воспроизведение любой части данного документа любым способом без письменного разрешения корпорации Dell Inc. строго воспрещается.

Товарные знаки, использованные в этом документе: *Dell*, логотип *DELL* и *Dell OpenManage* являются товарными знаками корпорации Dell Inc.; *Microsoft* и *Windows* являются охраняемыми товарными знаками, а *Windows Server* – товарным знаком корпорации Microsoft; *Intel* и *Xeon* являются охраняемыми товарными знаками корпорации Intel; *SUSE* является охраняемым товарным знаком корпорации Novell, Inc.; *Red Hat* является охраняемым товарным знаком корпорации Red Hat, Inc.

Остальные товарные знаки и названия продуктов могут использоваться в этом руководстве для обозначения компаний, заявляющих права на товарные знаки и названия, или продуктов этих компаний. Корпорация Dell Inc. не заявляет прав ни на какие товарные знаки и названия, кроме собственных.

Модель **BMX**

Январь 2006 г.

P/N FD316

Rev. A00

Характеристики системы

В этом разделе описываются основные компоненты аппаратного и программного обеспечения системы. Кроме того, в нем содержится информация о других документах, которые могут быть полезны при настройке системы, и о порядке получения технической поддержки.

- Поддержка до десяти серверных модулей. В корпусе можно установить от одного до десяти серверных модулей. (Если в корпусе установлено менее десяти серверных модулей, то для обеспечения правильного охлаждения следует использовать заглушки для серверных модулей.)
- Контроллер удаленного доступа/модульный корпус Dell™ (DRAC/MC), обеспечивающий доступ к функциям программного обеспечения управления системой.
 - Для доступа к функциям управления системой соедините с помощью нуль-модемного кабеля, поставляемого вместе с системой, последовательный порт управления и внешний ПК. Информацию по управлению можно получить также с помощью веб-браузера, подключенного к порту управления RJ-45. Программное обеспечение управления системой обеспечивает мониторинг состояния системы и серверных модулей.
 - Встроенная схема управления системой, контролирующая работу вентиляторов, а также напряжение питания и рабочую температуру системы. Схема управления системой работает совместно с программным обеспечением управления системой.
- Поддержка связи модуля ввода/вывода, включая модули транзита данных и сетевые коммутационные модули. Можно установить до четырех модулей ввода/вывода. (Если в корпусе установлено менее четырех модулей, то для обеспечения правильного охлаждения следует использовать заглушки для модулей ввода/вывода.) Связь модуля ввода/вывода обеспечивают дополнительные вспомогательные платы, установленные в серверных модулях.
- Два системных вентиляторных модуля с возможностью “горячей” замены. Каждый вентиляторный модуль оборудован двумя съемными вентиляторами.
- Два блока питания на 2100 ватт с возможностью “горячей” замены и две заглушки для блоков питания или четыре блока питания на 2100 ватт с возможностью “горячей” замены. Два блока питания обеспечивают подачу питания в систему; два дополнительных блока питания являются резервными.



ВНИМАНИЕ: Блоки питания на 1200 ватт не поддерживаются.

Характеристики серверных модулей

- Один или два процессора Intel® Xeon® серии 5000.
- Поддержка симметричной многопроцессорной обработки (SMP), которая значительно повышает общую производительность системы благодаря распределению вычислительных операций между независимыми процессорами. Чтобы воспользоваться преимуществами этой функции, необходима операционная система, поддерживающая многопроцессорную обработку.
- Модули памяти DDR II fully-buffered DIMM (FBD) с частотой 533 МГц или 677 МГц (при наличии) объемом 512 Мб с возможностью расширения до 32 Гб посредством установки комбинации модулей памяти с двухуровневым чередованием объемом 256 Мб, 512 Мб, 1 Гб, 2-Гб или 4 Гб в восемь разъемов для модулей памяти на системной плате.

Кроме того, если во все восемь разъемов для модулей памяти вставлены идентичные модули, система поддерживает резервирование или зеркальное отображение памяти.

- Поддержка до двух 2,5-дюймовых жестких дисков SAS или SATA с возможностью “горячей” замены.



ПРИМЕЧАНИЕ: В одном серверном модуле нельзя одновременно устанавливать жесткие диски SAS и SATA.

- Функция интегрированного зеркального отображения внутренних дисков, которая позволяет отображать два диска посредством встроенного RAID-контроллера.
- Внешний порт для поддержки USB-устройств посредством специального кабеля. В число USB-устройств входят мышь, клавиатура, флэш-устройство, 3,5-дюймовый дисковод гибких дисков емкостью 1,44 Мб и дисковод оптических дисков.



ПРИМЕЧАНИЕ: Поддерживаются только USB-дисководы для гибких дисков и оптических дисков, поставляемые корпорацией Dell. Используйте только кабель, совместимый с интерфейсом USB 2.0, длиной не более 3 метров.

- Встроенная VGA-совместимая видеоподсистема с видеоконтроллером ATI ES1000. Эта видеоподсистема содержит 16 Мб видеопамяти SDRAM (без возможности расширения). Максимальное разрешение – 1280 x 1024 x 65 000 цветов (с прогрессивной разверткой).
- Схема управления системой, контролирующая работу вентиляторов, а также напряжение электропитания и рабочую температуру системы. Схема управления системой работает совместно с программным обеспечением управления системой.

Более подробную информацию об отдельных компонентах см. в разделе “Технические характеристики”.

С системой поставляется следующее программное обеспечение:

- Программа настройки системы для быстрого просмотра и изменения информации о конфигурации системы. Дополнительную информацию об этой программе можно найти в разделе “Использование программы настройки системы” из *Руководства пользователя оборудования*.
- Программа настройки системы предоставляет расширенные возможности защиты, включая системный пароль и пароль программы настройки.
- Средства диагностики системы для оценки состояния компонентов системы и устройств. Информацию об использовании средств диагностики системы можно найти в разделе “Запуск диагностики системы” *Руководства по установке системы и устранению неисправностей*.
- Видеодрайверы для отображения многих популярных прикладных программ в режимах с высоким разрешением.
- Документация и программное обеспечение для управления системой. Программное обеспечение управления системой используется для управления и мониторинга каждого отдельного серверного модуля, а также системы в целом, включая все серверные модули, сетевые коммутационные модули, блоки питания и вентиляторы. Программное обеспечение управления системой обеспечивает локальное и удаленное управление системой в сети. Корпорация Dell рекомендует использовать программное обеспечение управления системой, входящее в комплект поставки данной системы.
- Программное обеспечение с дополнительными решениями по веб-хостингу, кэшированию и выравниванию загрузки. Более подробную информацию см. в документации к программному обеспечению.

Поддерживаемые операционные системы

Система поддерживает следующие операционные системы:

- Microsoft® Windows® 2000 Server и Advanced Server с пакетом обновления Service Pack 4 или выше
- Microsoft Windows Server™ 2003 Standard Edition, Enterprise Edition и Web Edition с пакетом обновления Service Pack 1 или выше
- Microsoft Windows Server 2003, Standard и Enterprise x64 Edition
- Red Hat® Enterprise Linux AS, ES и WS (версии 3) для Intel x86
- Red Hat Enterprise Linux AS, ES и WS (версии 4) для Intel x86
- Red Hat Enterprise Linux для технологии Extended Memory 64 корпорации Intel (Intel EM64T) AS, ES и WS (версии 4)
- SuSE® Linux Enterprise Server 9 для Intel EM64T

Дополнительная полезная информация



ПРЕДУПРЕЖДЕНИЕ: В *Информационное руководство по продуктам* приведена важная информация о безопасности, а также нормативная информация. Гарантийная информация может включаться в состав данного документа или в отдельный документ.

- Документы *Руководство по установке в стойку* или *Инструкции по установке в стойку*, поставляемые со стойкой, описывают процедуру монтажа системы в стойку.
- В документе *Руководство пользователя оборудования* предоставляется информация о характеристиках системы и описан порядок устранения неисправностей системы и установки или замены ее компонентов.
- В документе *Руководство пользователя контроллера управления системной платой Dell OpenManage* приведена подробная информация об использовании контроллера BMC.
- В документе *Руководство пользователя контроллера удаленного доступа/модульного корпуса Dell* приведена подробная информация об использовании функций удаленного управления системой.
- В документе *Руководство по настройке* представлена информация по настройке системы и серверных модулей системы.
- На компакт-дисках, поставляемых вместе с системой, имеются программные средства для настройки системы и управления ею, а также соответствующая документация.
- Документация по программному обеспечению управления системой, в которой описаны функции, требования, процедура установки программного обеспечения и принципы работы с ним.

- В документации по операционной системе содержится описание установки (при необходимости), настройки и использования ОС.
- Информацию о конфигурировании и установке дополнительных устройств, которые были приобретены отдельно, можно найти в документации на эти устройства.
- Обновления документов иногда прилагаются к системе для предоставления описания изменений, внесенных в систему, программное обеспечение и/или в документацию.



ПРИМЕЧАНИЕ: Рекомендуется регулярно проверять наличие обновлений на веб-сайте **support.dell.com** и в первую очередь изучать содержащуюся в них информацию, поскольку часто она является более приоритетной по отношению к информации в других документах.

- В комплект поставки могут включаться файлы с информацией о версии или файлы “Readme” с описанием последних обновлений и изменений в системе или с дополнительной технической информацией, предназначенной для опытных пользователей и технических специалистов.

Получение технической поддержки

В случае непонимания приведенной в настоящем руководстве процедуры или неправильной работы системы, см. документ *Руководство пользователя оборудования*.

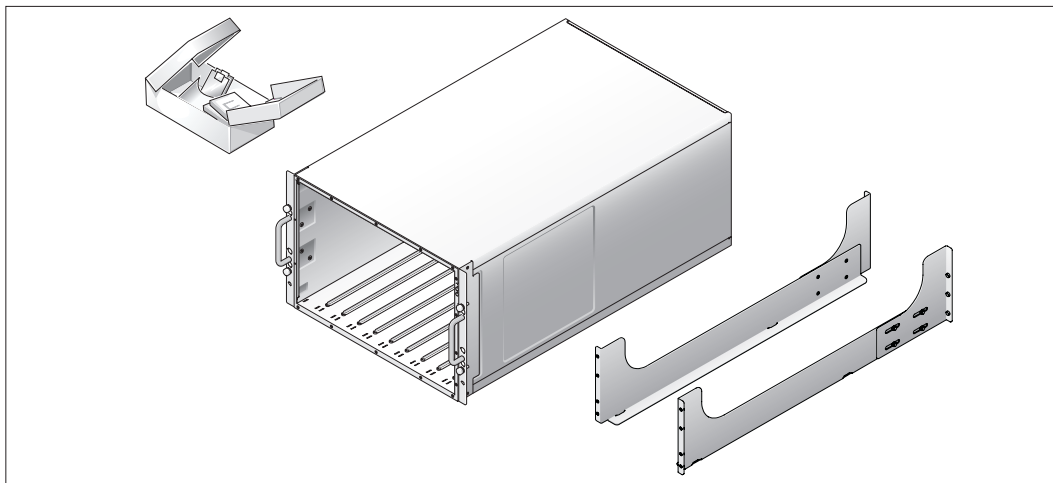
С программой обучения и сертификации Enterprise Training & Certification корпорации Dell можно ознакомиться на сайте **www.dell.com/training**. Услуги обучения и сертификации, возможно, доступны не во всех регионах.

Установка и настройка

⚠ ПРЕДУПРЕЖДЕНИЕ: Перед выполнением описанных ниже процедур ознакомьтесь с инструкциями по технике безопасности и важной нормативной информацией в документе *Информационное руководство по продуктам*.

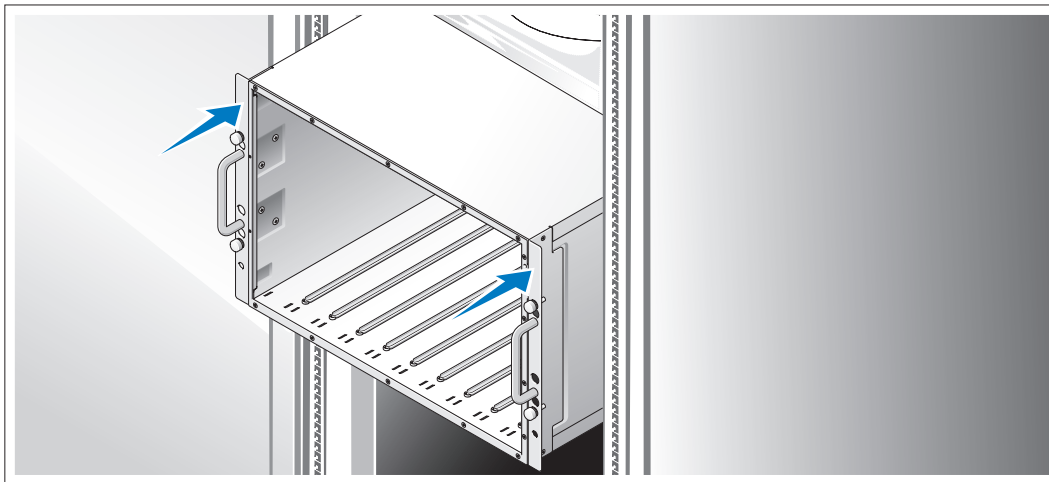
В данном разделе описываются действия, необходимые для первоначальной установки системы.

Распаковка системы



- 1** Распакуйте систему и идентифицируйте каждый элемент.
Сохраните все упаковочные материалы, так как они могут понадобиться в дальнейшем.

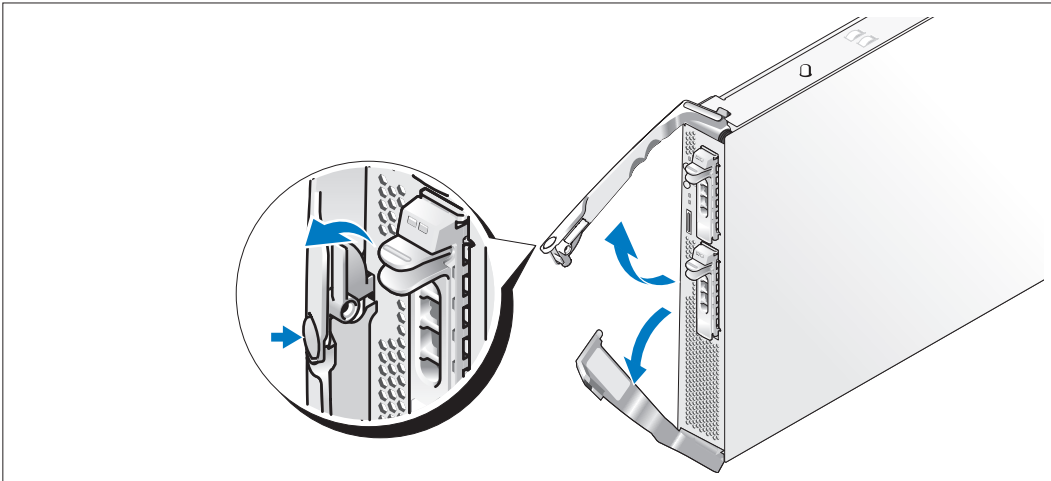
Установка системы в стойку



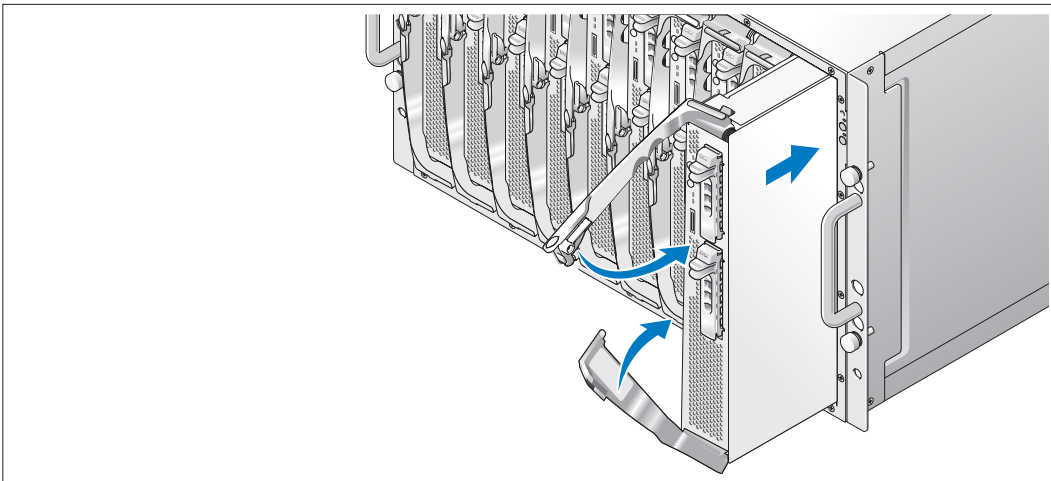
- 2 Установите систему в стойку после ознакомления с “Инструкциями по технике безопасности”, представленными в документации по установке системы в стойку.

Инструкции по установке системы в стойку можно найти в документации по установке в стойку.

Установка серверных модулей

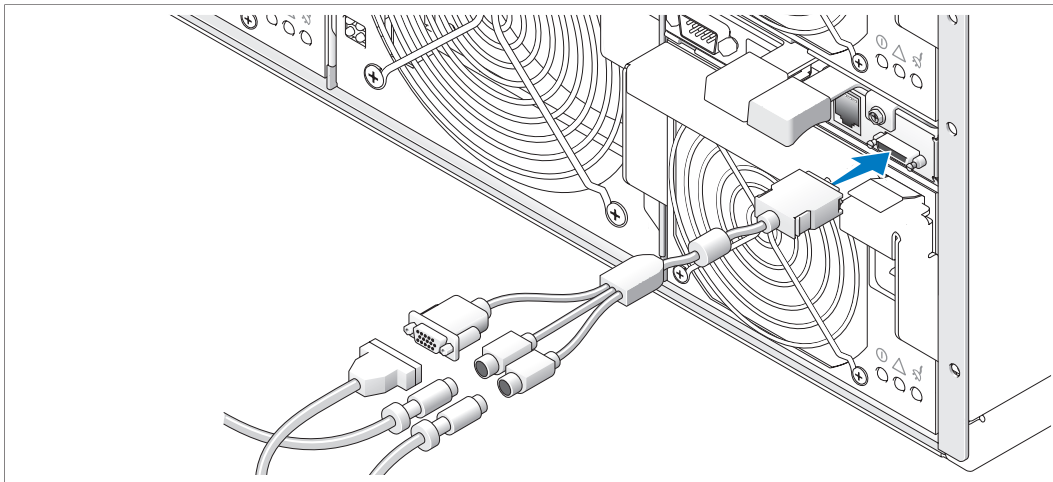


- 3** Перед установкой модулей необходимо ориентировать каждый модуль таким образом, чтобы логотип располагался на верхней ручке, а надпись “TOP-SIDE” (ВЕРХ) на торце модуля была направлена вверх. Нажмите защелку, расположенную на внутренней стороне верхней ручки. Выдвиньте верхнюю и нижнюю ручки.



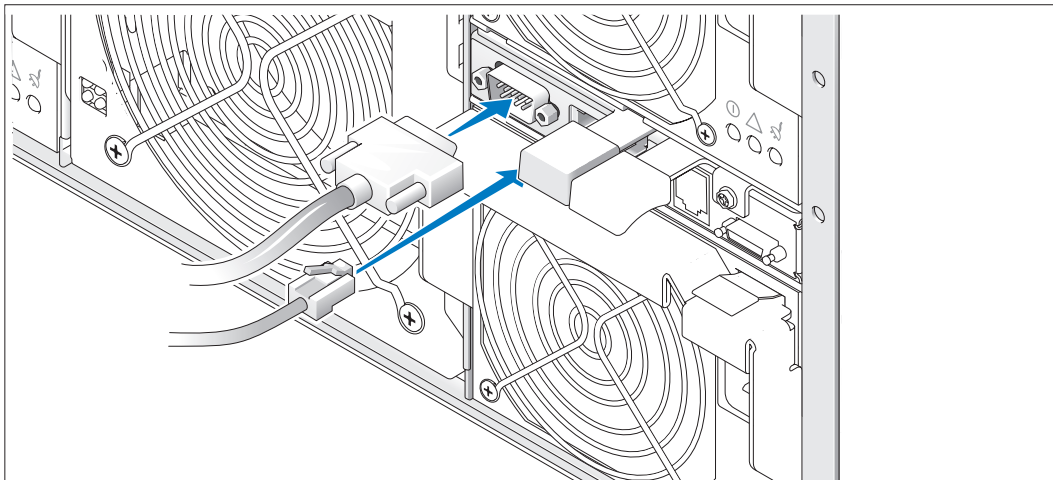
Начиная с левого края, вставьте модули в корпус. Как только открытые ручки коснутся передней панели корпуса, начните одновременно закрывать обе ручки (нижняя ручка закроется первой) до тех пор, пока нижняя ручка полностью не войдет в переднюю панель модуля. Продолжайте поворачивать верхнюю ручку вниз до тех пор, пока она не совпадет по уровню с нижней ручкой. (После полного закрытия ручек защелка должна зафиксировать обе ручки на передней панели.)

Подключение клавиатуры, мыши и монитора



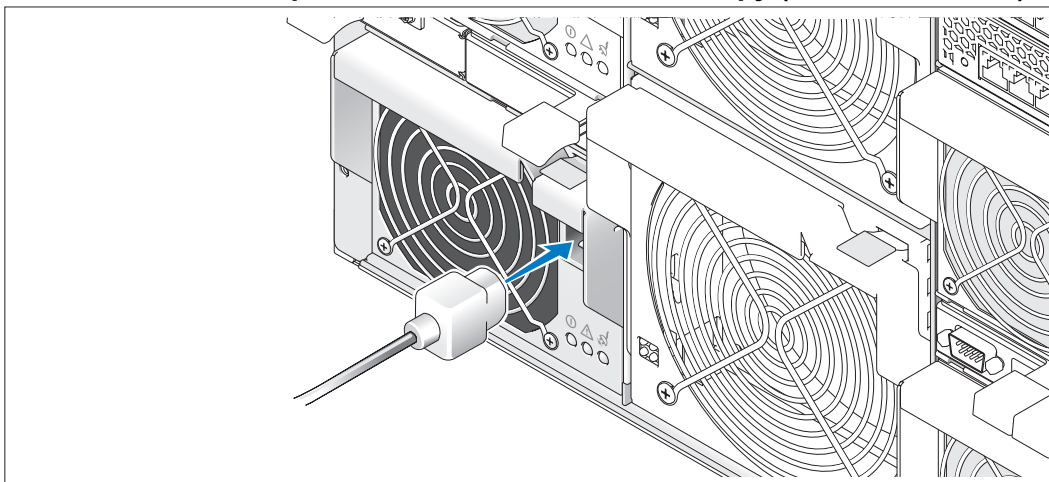
- 4 Подключите специальный кабель к модулю KVM, а затем подключите к этому кабелю клавиатуру, мышь и монитор (дополнительно).

Подключение системы управления



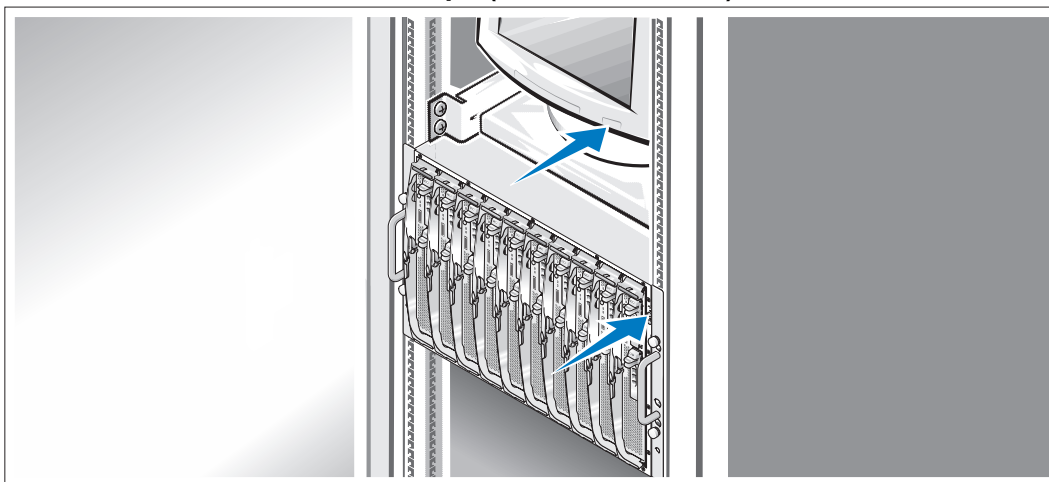
- 5 Подключите систему управления к модулю DRAC/MC с помощью последовательного и сетевого кабелей.

Подключение электропитания к системе и монитору (дополнительно)



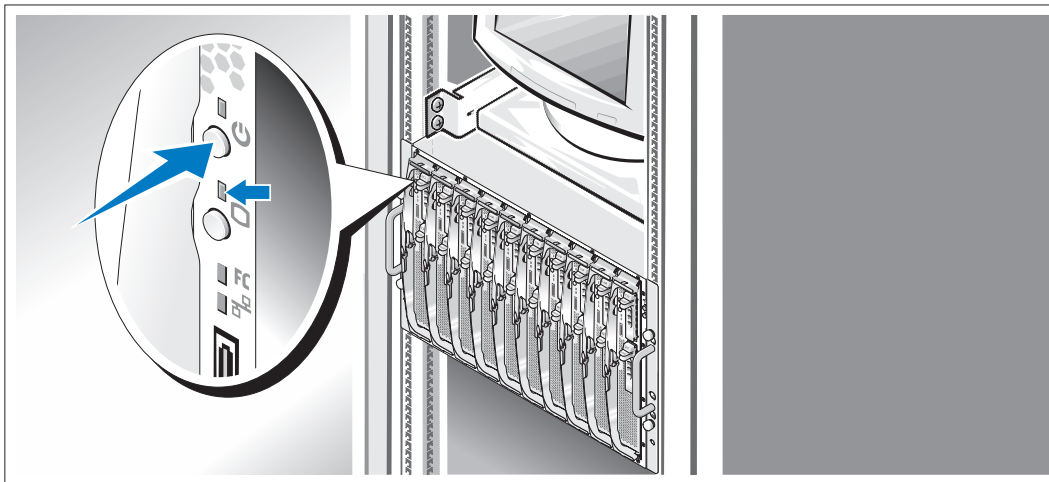
- 6 Подключите кабель(и) питания системы к системе. Затем подключите другой конец кабеля к заземленной розетке или отдельному источнику питания, например к источнику бесперебойного питания или распределительному щиту питания. Подсоедините кабель питания монитора к заземленной розетке.

Включение системы и монитора (дополнительно)



- 7 Нажмите кнопку питания на корпусе и мониторе. Должны загореться индикаторы питания. Отрегулируйте монитор для получения нужного качества изображения.

Включение серверных модулей



- 8 Нажмите кнопки электропитания на каждом серверном модуле или включите питание модулей с помощью программного обеспечения управления системой.

Индикаторы КВМ на серверных модулях определяют, видеосигнал какого серверного модуля отображается на мониторе.

Отрегулируйте монитор для получения нужного качества изображения.

Завершение установки операционной системы

Если на системе установлена операционная система, см. документацию по ОС, поставляемую в комплекте с системой. Для получения сведений об установке ОС см. документ *Краткое руководство по установке*. Установите ОС до того, как устанавливать аппаратное или программное обеспечение, которое не поставлялось с системой.

Технические характеристики

Серверный модуль

Процессор

Тип процессора	Один или два процессора Intel Xeon серии 5000
----------------	---

Оперативная память

Архитектура	Модули памяти FBD DDR II DIMM с двухуровневым чередованием, способные работать на частоте 533- или 677 МГц (при наличии)
Разъемы для модулей памяти	Восемь 240-контактных
Емкость модулей памяти	256 Мб, 512 Мб, 1 Гб, 2 Гб или 4 Гб
Минимальный объем оперативной памяти	512 Мб
Максимальный объем оперативной памяти	32 Гб

Накопители

Жесткие диски

Конфигурация SAS	Один или два 2,5-дюймовых внутренних жестких диска с возможностью “горячей замены”
------------------	--

Конфигурация SATA	Один или два 2,5-дюймовых внутренних жестких диска с возможностью “горячей замены”
-------------------	--

ПРИМЕЧАНИЕ: В одном серверном модуле нельзя устанавливать жесткие диски SAS и SATA.

Разъемы

Доступные снаружи

Передняя панель

Специализированный	Подключение двух USB-устройств и видеоустройств посредством специального кабеля
--------------------	---

Видео

Тип видеоконтроллера	Видеоконтроллер ATI ES1000
----------------------	----------------------------

Видеопамять	16 Мб
-------------	-------

Габаритные размеры

Высота	28,575 см
--------	-----------

Ширина	4,241 см
--------	----------

Габаритные размеры (продолжение)

Глубина	50,8 см
Вес (макс. конфигурация)	7,257 кг

Аккумуляторная батарея

Аккумулятор серверного модуля	Круглый ионно-литиевый CR 2032 3,0 В
-------------------------------	--------------------------------------

Система

Стойка системы

Высота	31,038 см
Ширина	42,519 см
Глубина	76,2 см
Вес (макс. конфигурация)	129,274 кг

Модуль блока питания

Источник питания переменного тока (для каждого блока питания)

Мощность	2100 Вт
Напряжение	170–264 В переменного тока, 50/60 Гц, 15,8 А при напряжении 170 В переменного тока, 9,9 А при напряжении 264 В переменного тока
Теплоотдача	Максимум 3480 ВТУ/ч
Максимальный бросок тока	В условиях стандартного электропитания и нормальных условий окружающей среды системы бросок тока может достигать не более 55 А на блок питания в течение не более 10 мс.

Габаритные размеры

Высота	9,70 см
Ширина	12,90 см
Глубина	23,01 см
Вес	3,288 кг

Вентиляторный модуль

Габаритные размеры

Высота	14,732 см
Ширина	15,748 см
Глубина	27,305 см

Вентиляторный модуль

Вес	2,948 кг
-----	----------

Модуль KVM

Доступные снаружи разъемы

Специализированный	Специальный кабель, используемый для двух устройств с разъемом PS/2 и одного видеоустройства
ACI-порт	RJ-45 (только коммутатор Avocent Analog KVM)
Ethernet	RJ-45 (только коммутатор Avocent Digital Access KVM)

Габаритные размеры

Высота	2,54 см
Ширина	5,334 см
Глубина	28,194 см
Вес	0,272 кг

Модуль DRAC/MC

Доступные снаружи разъемы

Удаленное управление	Специализированные разъемы 10/100 RJ-45 (для встроенного контроллера удаленного доступа с интерфейсом Ethernet)
Последовательный порт	9-контактный, DTE, совместимый с 16550

Аккумуляторная батарея

Аккумуляторный модуль	Круглый ионно-литиевый CR 2032 3,0 В
-----------------------	--------------------------------------

Габаритные размеры

Высота	2,54 см
Ширина	7,493 см
Глубина	26,03 см
Вес	0,363 кг

Коммутационный модуль PowerConnect 5316M с интерфейсом Ethernet

Доступные снаружи разъемы

Gb Ethernet 10/100/1000 Мбит/с	Шесть Uplink-портов RJ-45 с автосогласованием
--------------------------------	---

Габаритные размеры

Высота	3,302 см
Ширина	13,081 см
Глубина	27,432 см

Коммутационный модуль PowerConnect 5316M с интерфейсом Ethernet

Вес	0,816 кг
-----	----------

Модуль транзита данных по сети Gb Ethernet

Доступные снаружи разъемы

Ethernet	Десять Uplink-портов RJ-45 (для встроенных контроллеров сетевого интерфейса со скоростью 1 Гбит/с)
----------	--

ПРИМЕЧАНИЕ: Транзитные Uplink-порты поддерживают только соединения со скоростью 1000 Мбит/с.

Габаритные размеры

Высота	3,302 см
Ширина	13,081 см
Глубина	27,432 см
Вес	0,816 кг

Модуль транзита данных по сети Fibre Channel

Доступные снаружи разъемы

Трансивер Fibre Channel	Десять 76-контактных разъемов для трансиверов GP10 со скоростью 3,5 Гбит/с
-------------------------	--

Габаритные размеры

Высота	3,302 см
Ширина	13,081 см
Глубина	27,432 см
Вес	0,816 кг

Коммутационный модуль Fibre Channel

Доступные снаружи разъемы

Fibre Channel	Четыре универсальных (E, F и FL) автоматически обнаруживаемых порта
---------------	---

Ethernet 1/2/4 Гбит/с	RJ-45
-----------------------	-------

Габаритные размеры

Высота	3,302 см
Ширина	13,081 см
Глубина	27,432 см
Вес	1,06 кг

Модуль транзита данных по сети Infiniband

Доступные снаружи разъемы

Infiniband	Десять 4X-портов
------------	------------------

Габаритные размеры

Высота	3,302 см
Ширина	13,081 см
Глубина	27,432 см
Вес	1,8 кг

Требования к окружающей среде

ПРИМЕЧАНИЕ: Дополнительную информацию о параметрах окружающей среды для установки определенной конфигурации системы см. на веб-узле www.dell.com/environmental_datasheets. Система не предназначена для использования в офисах.

Температура

Эксплуатация От 10° до 35°C

ПРИМЕЧАНИЕ: Следует снижать максимальную температуру на 1°C на каждые 300 м при высотах более 900 м.

Хранение от -40° до 65°C

Относительная влажность

Эксплуатация От 8 до 85 % (без конденсации) с максимальной градацией влажности 10% в час.

Хранение 5% – 95 % (без конденсации)

Максимальная вибрация

Эксплуатация 0,25 G при частоте от 3 до 200 Гц в течение 15 минут

Хранение 0,5 G при частоте от 3 до 200 Гц в течение 15 минут

Максимальная ударная нагрузка

Эксплуатация Один ударный импульс 41 G длительностью не более 2 мс в положительном направлении по оси z (по одному импульсу с каждой стороны системы)

Хранение Шесть последовательных ударных импульсов 71 G длительностью не более 2 мс в положительном и отрицательном направлениях по осям x, y и z (по одному импульсу с каждой стороны системы).

Высота над уровнем моря

Эксплуатация От -16 до 3 048 м

Хранение от -16 до 10600 м

Procedimientos iniciales con el sistema

Notas, avisos y precauciones



NOTA: una NOTA proporciona información importante que le ayudará a utilizar mejor el ordenador.



AVISO: un AVISO indica la posibilidad de daños en el hardware o la pérdida de datos, e informa de cómo evitar el problema.



PRECAUCIÓN: un mensaje de PRECAUCIÓN indica el riesgo de daños materiales, lesiones o incluso la muerte.

La información contenida en este documento puede modificarse sin previo aviso.

© 2006 Dell Inc. Reservados todos los derechos.

Queda estrictamente prohibida la reproducción de este documento en cualquier forma sin la autorización por escrito de Dell Inc

Marcas comerciales utilizadas en este texto: *Dell*, el logotipo de *DELL* y *Dell OpenManage* son marcas comerciales de Dell Inc.; *Microsoft* y *Windows* son marcas comerciales registradas y *Windows Server* es una marca comercial de Microsoft Corporation; *Intel* y *Xeon* son marcas comerciales registradas de Intel Corporation; *SUSE* es una marca comercial registrada de Novell, Inc.; *Red Hat* es una marca comercial registrada de Red Hat, Inc.

Otras marcas y otros nombres comerciales pueden utilizarse en este documento para hacer referencia a las entidades que los poseen o a sus productos. Dell Inc. renuncia a cualquier interés sobre la propiedad de marcas y nombres comerciales que no sean los suyos.

Modelo **BMX**

Enero de 2006


P/N FD316

Rev. A00

Características del sistema

En esta sección se describen las principales características de hardware y software del sistema. También se ofrece información sobre otros documentos que puede necesitar al instalar el sistema y sobre cómo obtener asistencia técnica.

- Soporte para hasta 10 módulos de servidor. El chasis puede admitir de uno a diez módulos de servidor. Si el chasis tiene instalados menos de diez módulos de servidor, son necesarios paneles de relleno de módulos de servidor para mantener una refrigeración adecuada.
- Dell™ Remote Access Controller/Modular Chassis (DRAC/MC), que proporciona acceso a las características de software de administración de sistemas.
 - Para acceder a las características de administración de sistemas, conecte el cable de módem nulo suministrado con el sistema entre el puerto de administración serie y un ordenador externo. También puede obtener información de administración de sistemas a través de un explorador Web conectado al puerto de administración RJ-45. El software de administración de sistemas supervisa el estado del sistema y del módulo de servidor.
 - Circuitos de administración de sistemas integrados que supervisan el funcionamiento de los ventiladores del sistema y los voltajes y temperaturas críticos del sistema. Los circuitos de administración de sistemas funcionan conjuntamente con el software de administración de sistemas.
- Soporte para conectividad de E/S, que incluye módulos de paso a través y módulos de conmutación de red. Pueden instalarse hasta cuatro módulos de E/S. Si hay instalados menos de cuatro módulos, se requieren módulos de relleno de E/S para mantener una refrigeración adecuada. Las tarjetas secundarias opcionales instaladas en los módulos de servidor activan la conectividad de E/S.
- Dos módulos de ventilador del sistema de acoplamiento activo. Cada módulo de ventilador contiene dos ventiladores reemplazables.
- Dos fuentes de alimentación de acoplamiento activo de 2 100 vatios y dos paneles de relleno para el hueco de la fuente de alimentación o cuatro fuentes de alimentación de acoplamiento activo de 2 100 vatios. Dos fuentes de alimentación proporcionan alimentación al sistema; dos fuentes de alimentación adicionales proporcionan redundancia.

 **AVISO:** no se admiten fuentes de alimentación de 1 200 vatios.

Componentes del módulo de servidor


- Uno o dos procesadores Intel® Xeon® 5000 Sequence.
- Compatibilidad con SMP (multiprocesamiento simétrico), que mejora en gran medida el rendimiento global del sistema al repartir las operaciones del procesador entre procesadores independientes. Para aprovechar esta característica, se debe usar un sistema operativo que admita el multiprocesamiento.
- Un mínimo de 512 MB de módulos de memoria DIMM con búfer completo (FB-DIMM) DDR II de 533 MHz o 677 MHz (si están disponibles), actualizables hasta un máximo de 32 GB mediante la instalación de combinaciones de módulos de memoria con intercalado de 2 vías de 256 MB, 512 MB, 1 GB, 2 GB o 4 GB en los ocho zócalos de módulo de memoria de la placa base.

El sistema también admite sustitución de memoria o duplicación de memoria si los ocho zócalos de módulo de memoria están ocupados con módulos de memoria idénticos.

- Soporte para hasta dos unidades de disco duro de acoplamiento activo SAS o SATA de 2,5 pulgadas.

 **NOTA:** las unidades de disco duro SAS y SATA no pueden combinarse en un módulo de servidor.

- La duplicación de unidades internas integradas permite la duplicación de dos discos mediante la controladora RAID integrada.
- Un puerto externo para admitir dispositivos USB mediante el cable personalizado. Los dispositivos USB incluyen un ratón, un teclado, una unidad flash, una unidad de disquete de 3,5 pulgadas y 1,44 MB o una unidad óptica.

 **NOTA:** sólo se admiten las unidades de disquete y las unidades ópticas USB suministradas por Dell. Utilice únicamente un cable compatible con USB 2.0 con una longitud no superior a 3 metros.

- Un subsistema de vídeo integrado compatible con VGA con una controladora de vídeo ATI ES1000. Este subsistema de vídeo contiene 16 MB de memoria de vídeo SDRAM (no ampliable). La resolución máxima es de 1 280 x 1 024 con 65 000 colores (no entrelazados).
- Circuitos de administración de sistemas que supervisan el funcionamiento de los ventiladores del sistema, así como los voltajes y las temperaturas críticos del sistema. Los circuitos de administración de sistemas funcionan junto con el software de administración de sistemas.

Para obtener más información sobre características específicas, consulte “Especificaciones técnicas”.

El sistema incluye el software siguiente:

- Un programa de configuración del sistema que permite ver y cambiar rápidamente la información de configuración del sistema. Para obtener más información sobre este programa, consulte “Uso del programa de configuración del sistema” en el *Manual del propietario del hardware*.
- Funciones de seguridad mejoradas, incluidas una contraseña del sistema y una contraseña de configuración, disponibles a través del programa de configuración del sistema.
- Diagnósticos del sistema para evaluar los componentes y dispositivos del sistema. Para obtener información sobre el uso de los diagnósticos del sistema, consulte “Ejecución de los diagnósticos del sistema” en el *Manual del propietario del hardware*.

- Controladores de vídeo para visualizar los programas de aplicación más populares en modos de alta resolución.
- Software y documentación de administración de sistemas. El software de administración de sistemas se utiliza para administrar y supervisar los módulos de servidor individualmente, así como el sistema en su totalidad, incluidos todos los módulos de servidor, módulos de conmutación de red, fuentes de alimentación y ventiladores. El software de administración de sistemas administra el sistema de forma local o remota en una red. Dell recomienda el uso del software de administración de sistemas que se incluye con este sistema.
- Software de soluciones opcionales para alojamiento Web, almacenamiento en caché o equilibrado de carga. Consulte la documentación del software de soluciones para obtener más información.

Sistemas operativos admitidos

El sistema admite los siguientes sistemas operativos:


- Microsoft® Windows® 2000 Server y Advanced Server con Service Pack 4 o posterior
- Microsoft Windows Server™ 2003 Standard Edition, Enterprise Edition y Web Edition con Service Pack 1 o posterior
- Microsoft Windows Server 2003 Standard Edition y Enterprise x64 Edition
- Red Hat® Enterprise Linux AS, ES y WS (versión 3) para Intel x86
- Red Hat Enterprise Linux AS, ES y WS (versión 4) para Intel x86
- Red Hat Enterprise Linux para Intel Extended Memory 64 Technology (Intel EM64T) AS, ES y WS (versión 4)
- SuSE® Linux Enterprise Server 9 para Intel EM64T

Otra información necesaria



PRECAUCIÓN: en la *Guía de información del producto* se proporciona información importante sobre seguridad y normativas. La información de la garantía puede estar incluida en este documento o constar en un documento aparte.

- En los documentos *Guía de instalación del rack* o *Instrucciones de instalación del rack*, incluidos con el rack, se describe cómo instalar el sistema en un rack.
- En el *Manual del propietario del hardware* se proporciona información sobre las características del sistema y se describe cómo solucionar problemas del sistema e instalar o reemplazar componentes del sistema.
- En la publicación *Dell OpenManage Baseboard Management Controller User's Guide* (Guía del usuario de la controladora de administración de la placa base de Dell OpenManage) se proporciona información detallada sobre el uso de la BMC.

- En la publicación *Dell Remote Access Controller/Modular Chassis User's Guide* (Guía del usuario de DRAC/MC) se proporciona información detallada sobre el uso de las funciones de administración remota del sistema.
 - En la *Guía de configuración* se proporciona información sobre la configuración del sistema y los módulos de servidor del sistema.
 - Los CD que se facilitan con el sistema proporcionan documentación y herramientas para configurar y administrar el sistema.
 - En la documentación del software de administración de sistemas se describen los componentes, los requisitos, la instalación y el funcionamiento básico del software.
 - En la documentación del sistema operativo se describe cómo instalar (si es necesario), configurar y utilizar el software del sistema operativo.
 - En la documentación de los componentes adquiridos por separado se incluye información para configurar e instalar las opciones correspondientes.
 - Algunas veces, con el sistema se incluyen actualizaciones que describen los cambios realizados en la documentación, en el software o en el sistema.
-  **NOTA:** compruebe si hay actualizaciones en support.dell.com y, si las hay, léalas antes de proceder a la instalación, puesto que a menudo sustituyen la información contenida en otros documentos.
- Es posible que se incluyan notas de la versión o archivos Léame para proporcionar actualizaciones de última hora relativas al sistema o a la documentación, o material de consulta técnica avanzada destinado a técnicos o usuarios experimentados.

Obtención de asistencia técnica

Si no comprende un procedimiento de esta guía o si el sistema no funciona del modo esperado, consulte el *Manual del propietario del hardware*.

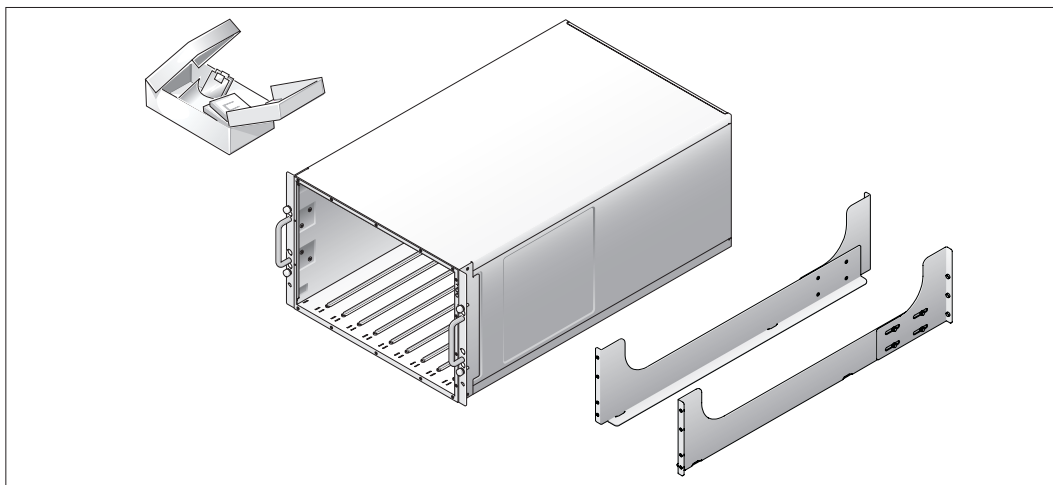
Tiene a su disposición el servicio de formación y certificación Dell para empresas. Para obtener más información, visite www.dell.com/training. Es posible que este servicio no se ofrezca en todas las regiones.

Instalación y configuración

⚠ PRECAUCIÓN: antes de realizar el procedimiento siguiente, lea y siga las instrucciones de seguridad y la información importante sobre normativas incluidas en la *Guía de información del producto*.

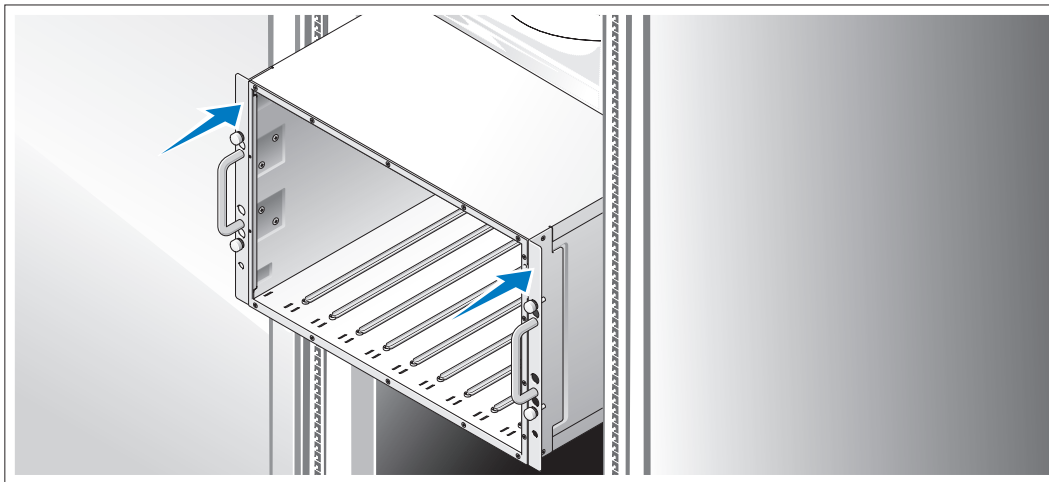
En esta sección se describen los pasos necesarios para configurar el sistema por primera vez.

Desembalaje del sistema



- 1 Desembale el sistema e identifique cada elemento.
Guarde el material de embalaje por si lo necesitara más adelante.

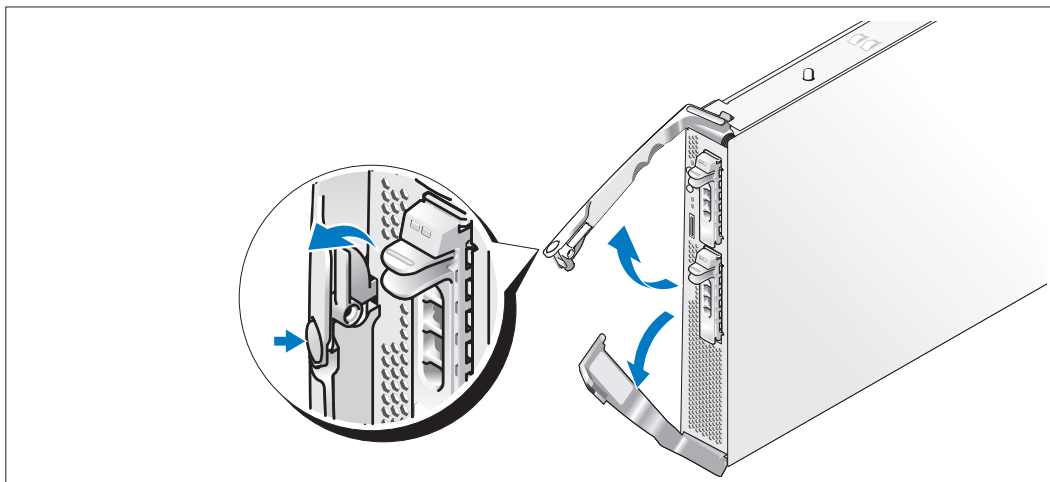
Instalación del sistema en un rack



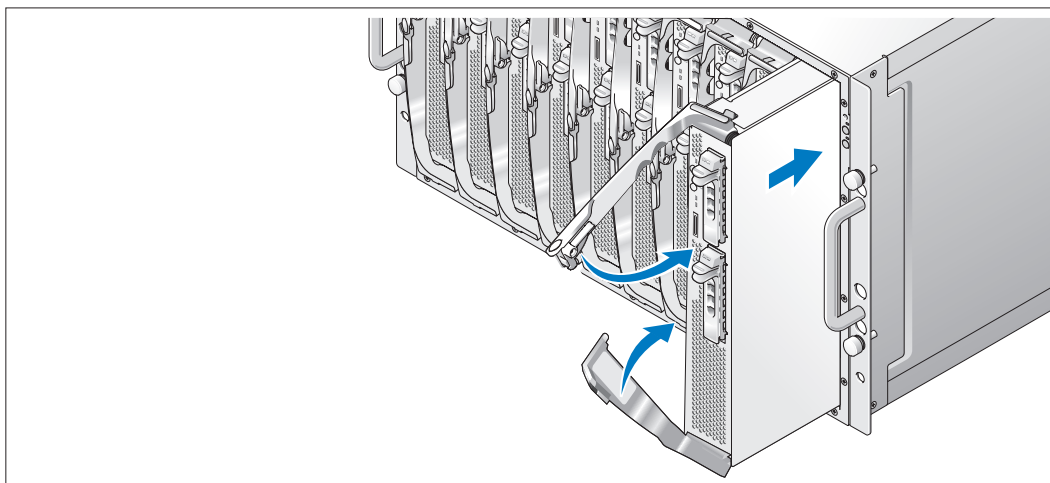
- 2 Instale el sistema en el rack una vez que haya leído las “Instrucciones de seguridad” de la documentación del sistema relativa a la instalación del rack.

Consulte la documentación de instalación del rack para obtener instrucciones sobre la instalación del sistema en un rack.

Instalación de los módulos de servidor

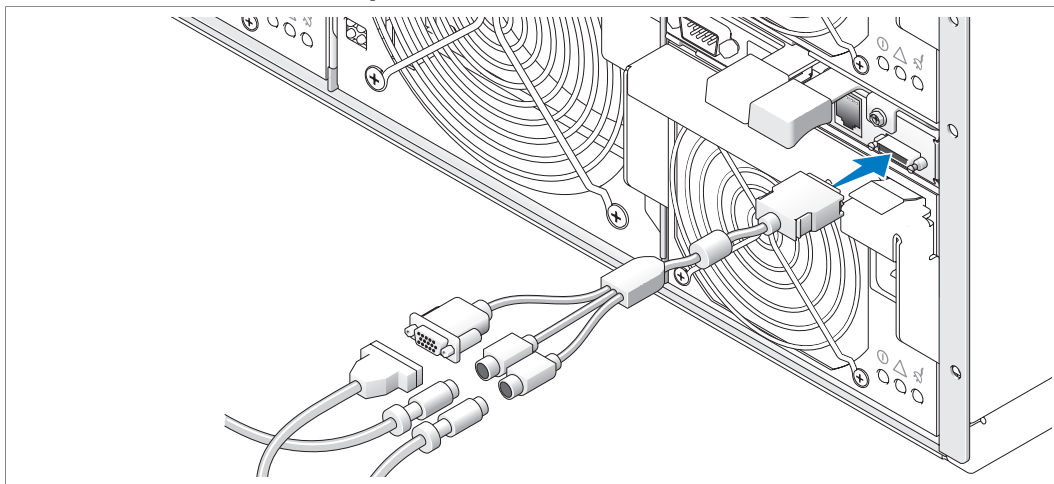


- 3 Antes de instalar los módulos, oriente cada módulo de modo que el asa con el logotipo esté en la parte superior y la inscripción “TOP-SIDE” del borde del módulo quede hacia arriba. Presione el pestillo de liberación del asa superior. Tire hacia fuera de las asas superior e inferior.



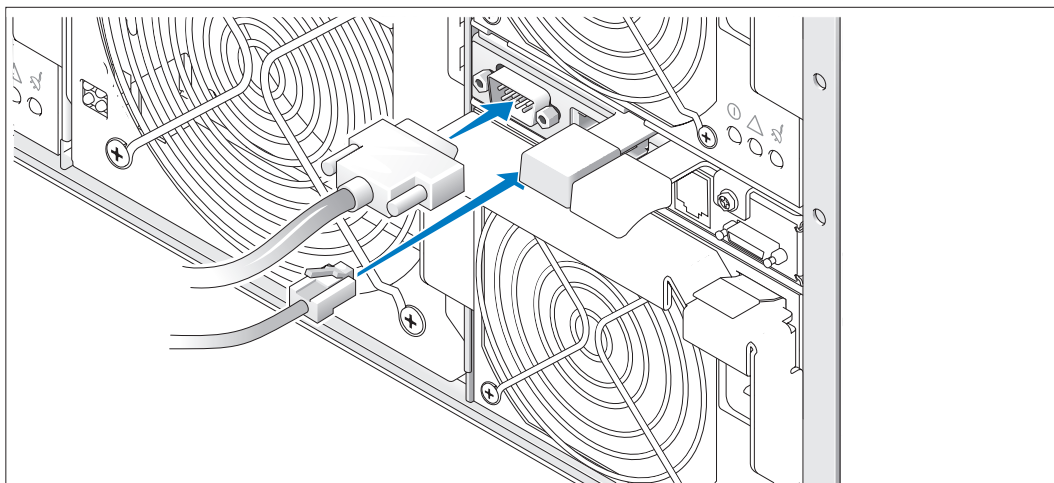
De izquierda a derecha, inserte los módulos en el chasis. Cuando las asas abiertas entren en contacto con el panel frontal del chasis, empiece a cerrarlas a la vez (el asa inferior se cerrará primero) hasta que el asa inferior esté alineada con el panel frontal del chasis. Siga bajando el asa superior hasta que esté alineada con el asa inferior. Cuando las asas estén totalmente cerradas, el pestillo de liberación fijará las dos asas al panel frontal.

Conexión del teclado, el ratón y el monitor



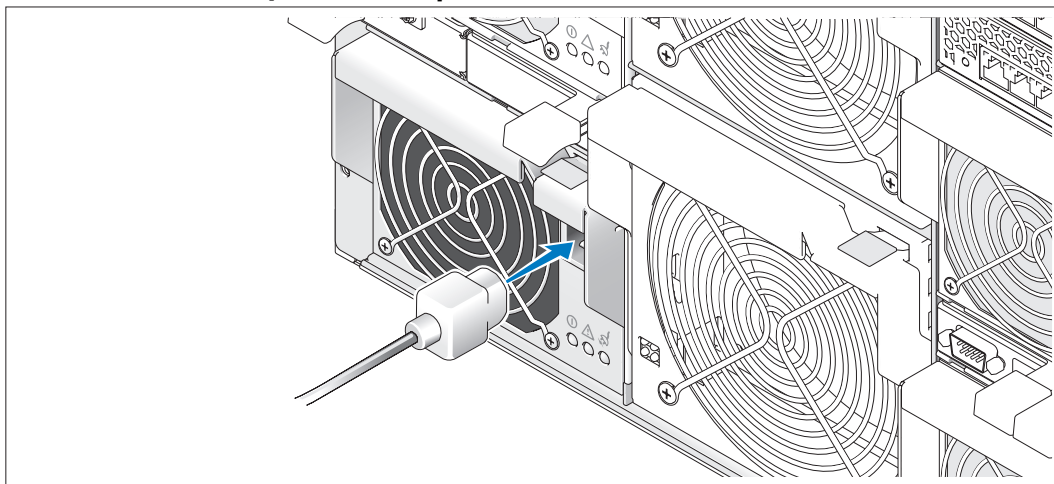
- 4 Conecte el cable personalizado al módulo KVM y, a continuación, conecte el teclado, el ratón y el monitor (opcional) al cable personalizado.

Conexión del sistema de administración



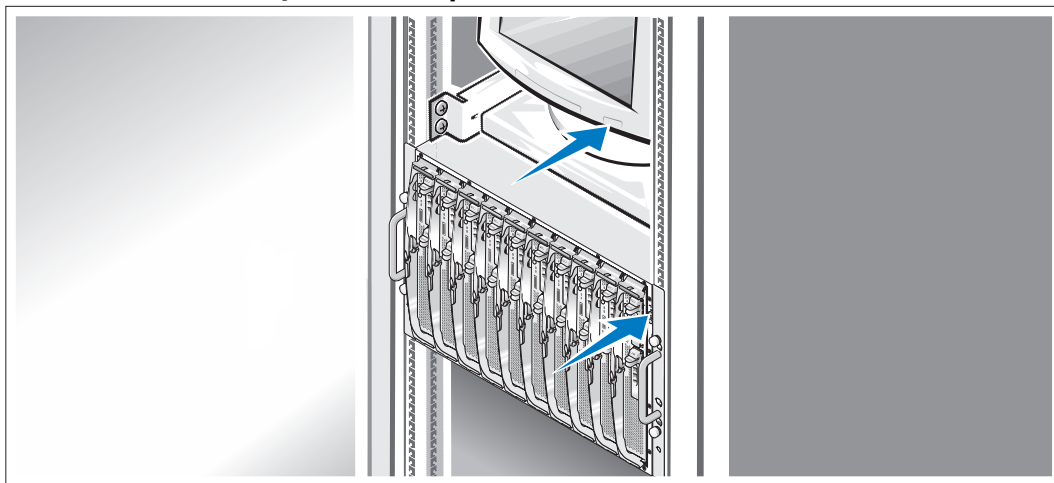
- 5 Conecte el cable serie y el cable de red del sistema de administración al módulo DRAC/MC.

Conexión del sistema y el monitor (opcional) a la toma de alimentación



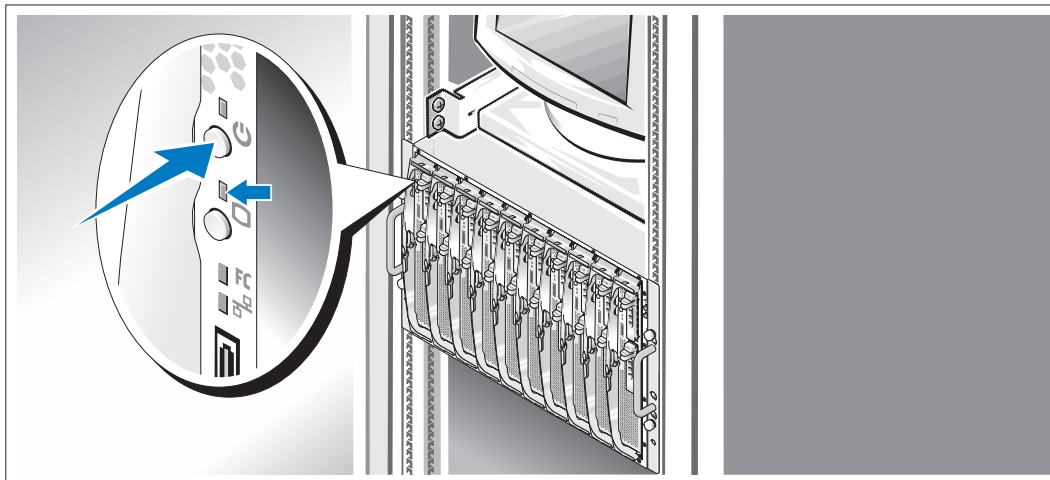
- 6 Conecte los cables de alimentación al sistema. A continuación, conecte el extremo opuesto del cable a una toma eléctrica con conexión a tierra o a otra fuente de alimentación, como un sistema de alimentación ininterrumpida (SAI) o una unidad de distribución de alimentación (PDU). Conecte el cable de alimentación del monitor a una toma eléctrica con conexión a tierra.

Encendido del sistema y el monitor (opcional)



- 7 Presione el botón de encendido del chasis y del monitor. Deberán encenderse los indicadores de alimentación. Ajuste los controles del monitor hasta que la imagen mostrada sea satisfactoria.

Encendido de los módulos de servidor



- 8 Presione el botón de encendido en cada módulo de servidor o encienda los módulos utilizando software de administración de sistemas.

Los indicadores KVM de los módulos de servidor identifican el vídeo de módulo de servidor que se visualiza.

Ajuste los controles del monitor hasta que la imagen mostrada sea satisfactoria.

Finalización de la configuración del sistema operativo

Si ha adquirido un sistema operativo preinstalado, consulte la documentación del sistema operativo que se suministra con el sistema. Para instalar un sistema operativo por primera vez, consulte la *Guía de instalación rápida*. Asegúrese de que el sistema operativo está instalado antes de instalar hardware o software no adquirido con el sistema.

Especificaciones técnicas

Módulo de servidor

Procesador

Tipo de procesador	Máximo dos procesadores Intel Xeon Processor 5000 Sequence
--------------------	--

Memoria

Arquitectura	Módulos DIMM con búfer completo DDR II, con intercalado de dos vías capaces de funcionar a 533 o 677 Hz (si están disponibles)
Zócalos de módulo de memoria	Ocho de 240 patas
Capacidades de módulo de memoria	256 MB, 512 MB, 1 GB, 2 GB o 4 GB
RAM mínima	512 MB
RAM máxima	32 GB

Unidades

Unidades de disco duro

Configuración SAS Una o dos unidades de disco duro de acoplamiento activo de 2,5 pulgadas

Configuración SATA Una o dos unidades de disco duro de acoplamiento activo de 2,5 pulgadas

NOTA: las unidades de disco duro SAS y SATA no pueden combinarse en un módulo de servidor.

Conectores

Acceso externo

Parte frontal

Personalizado Admite dos dispositivos USB y vídeo mediante cable personalizado

Vídeo

Tipo de vídeo Controladora de vídeo ATI ES1000

Memoria de vídeo 16 MB

Características físicas

Altura	28,575 cm
Anchura	4,241 cm
Profundidad	50,8 cm
Peso (configuración máxima)	7,257 kg

Batería

Batería del módulo de servidor	Batería de tipo botón de ion-litio de 3,0 V CR2032
--------------------------------	--

Sistema

Alojamiento del sistema

Altura	31,038 cm
Anchura	42,519 cm
Profundidad	76,2 cm
Peso (configuración máxima)	129,274 kg

Módulo de fuente de alimentación

Suministro de energía de CA (por fuente de alimentación)

Potencia	2 100 W
Voltaje	170–264 V CA, 50/60 Hz, 15,8 A a 170 V CA, 9,9 A a 264 V CA
Disipación de calor	3 480 BTU/h como máximo
Máxima corriente a la conexión	En condiciones normales de línea y en todo el ambiente del rango operativo del sistema, la corriente a la conexión puede alcanzar los 55 A por cada fuente de alimentación durante 10 ms o menos.

Características físicas

Altura	9,70 cm
Anchura	12,90 cm
Profundidad	23,01cm
Peso	3,288 kg

Módulo de ventilador

Características físicas

Altura	14,732 cm
Anchura	15,748 cm
Profundidad	27,305 cm
Peso	2,948 kg

Módulo KVM

Conectores de acceso externo

Personalizado	Cable personalizado utilizado para dos PS/2 y un vídeo
Puerto ACI	RJ-45 (sólo conmutador KVM analógico Avocent)
Ethernet	RJ-45 (sólo conmutador KVM de acceso digital Avocent)

Características físicas

Altura	2,54 cm
Anchura	5,334 cm
Profundidad	28,194 cm
Peso	0,272 kg

Módulo DRAC/MC

Conectores de acceso externo

Administración remota	10/100 RJ-45 dedicada (para una controladora de acceso remoto Ethernet integrada)
Serie	9 patas, DTE, compatible con el estándar 16550

Batería

Batería del módulo	Batería de tipo botón de ion-litio de 3,0 V CR2032
--------------------	--

Características físicas

Altura	2,54 cm
Anchura	7,493 cm
Profundidad	26,03 cm
Peso	0,363 kg

Módulo de conmutador Ethernet 5316M PowerConnect

Conectores de acceso externo

Ethernet Gb 10/100/1 000 Mbps	Seis enlaces ascendentes RJ-45 de negociación automática
-------------------------------	--

Características físicas

Altura	3,302 cm
Anchura	13,081 cm
Profundidad	27,432 cm
Peso	0,816 kg

Módulo de paso a través Ethernet Gb

Conectores de acceso externo

Ethernet	Diez enlaces ascendentes RJ-45 (para controladoras NIC de 1 Gbps integradas)
----------	--

NOTA: los enlaces ascendentes de paso a través sólo admiten conexiones de 1 000 Mbps.

Características físicas

Altura	3,302 cm
Anchura	13,081 cm
Profundidad	27,432 cm
Peso	0,816 kg

Módulo de paso a través Fibre Channel

Conectores de acceso externo

Transceptor Fibre Channel	Diez enchufes de transceptor GPIO de 3,5 Gbps de 76 patas
---------------------------	---

Características físicas

Altura	3,302 cm
Anchura	13,081 cm
Profundidad	27,432 cm
Peso	0,816 kg

Módulo de conmutador Fibre Channel

Conectores de acceso externo

Fibre Channel	Cuatro puertos universales de detección automática (E, F y FL)
1/2/4 Gb/s Ethernet	RJ-45

Características físicas

Altura	3,302 cm
Anchura	13,081 cm
Profundidad	27,432 cm
Peso	1,06 kg

Módulo de paso a través Infiniband

Conectores de acceso externo

Infiniband	Diez puertos 4X
------------	-----------------

Características físicas

Altura	3,302 cm
Anchura	13,081 cm
Profundidad	27,432 cm
Peso	1,8 kg

Condiciones ambientales

NOTA: para obtener información adicional sobre medidas ambientales relativas a configuraciones de sistema específicas, visite la página Web www.dell.com/environmental_datasheets. El sistema no se debe usar en un entorno de oficina.

Temperatura

En funcionamiento

De 10 °C a 35 °C

NOTA: por encima de los 900 m, la temperatura máxima se reduce en 1 °C por cada 300 m.

En almacenamiento

De -40 °C a 65 °C

Humedad relativa

En funcionamiento

Del 8 al 85 % (sin condensación) con una gradación de humedad máxima del 10 % por hora

En almacenamiento

Del 5 al 95 % (sin condensación)

Vibración máxima

En funcionamiento

0,25 G a 3–200 Hz durante 15 minutos

En almacenamiento

0,5 G a 3–200 Hz durante 15 minutos

Impacto máximo

En funcionamiento

Un choque positivo en el eje z (un choque en cada lado del sistema) de 41 G durante un máximo de 2 ms

En almacenamiento

Seis choques ejecutados consecutivamente en el sentido positivo y negativo de los ejes x, y y z (un choque en cada lado del sistema) de 71 G durante un máximo de 2 ms

Altitud

En funcionamiento

De -16 a 3 048 m

En almacenamiento

De -16 a 10 600 m

מודול מתג ערוץ סיבים	
מחברים בעלי נגישות היצונית	
ארבע יציאות חישה אוטומטית אוניברסליות (FL, E, F ו-F)	ערוץ סיבים
RJ-45	1/2/4 Gb/s Ethernet
מידות פיזיות	
3.302 ס"מ	גובה
13.081 ס"מ	רוחב
27.432 ס"מ	עומק
1.06 ק"ג	משקל
מודול מעבר של Infiniband	
מחברים בעלי נגישות היצונית	
עשר יציאות 4X	Infiniband
מידות פיזיות	
3.302 ס"מ	גובה
13.081 ס"מ	רוחב
27.432 ס"מ	עומק
1.8 ק"ג	משקל
תנאי סביבה	
עצה: למידע נוסף על מידות סביבתיות עבור תצורות מערכת ספציפיות, בקר בכתובת www.dell.com/environmental_datasheets . המערכת לא מיועדת לשימוש בסביבה משרדית.	
טמפרטורה	
10°C עד 35°C	הפעלה
עצה: הקטן את הטמפרטורה המרבית ב-1°C עבור כל 300 מ' מעל 900 מ'.	
40°C עד 65°C	אחסון
לחות יחסית	
20% עד 80% (ללא עיבוי) עם ירידה הדרגתית בלחות מרבית של 10% בשעה	הפעלה
5% עד 95% (ללא עיבוי)	אחסון
רטט מרבי	
0.25 G ב- 200–3 Hz במשך 15 דק'	הפעלה
0.5 G ב- 200–3 Hz במשך 15 דק'	אחסון
זעזוע מרבי	
פעימת זעזוע אחת בציר z החיובי (פעימה אחת בכל צד של המערכת) מתוך 41 G למשך עד 2 מ"ש	הפעלה
שש פעימות זעזוע המופעלות בזו אחר זו בצירי x, y, z החיוביים והשליליים (פעימה אחת בכל צד של המערכת) מתוך 71 G למשך עד 2 מ"ש	אחסון
גובה	
16- עד 3,048 מ'	הפעלה
16- עד 10,600 מ'	אחסון

מידות פיזיות	
גובה	2.54 ס"מ
רוחב	5.334 ס"מ
עומק	28.194 ס"מ
משקל	0.272 ק"ג

מודל DRAC/MC

מחברים בעלי נגישות חיצונית	
ניהול מרחוק	10/100 RJ-45 ייעודי (עבור בקר גישה מרחוק משולב של Ethernet)
טורי	9 פינים, DTE, תואם 16550

סוללה

סוללת המודול CR 2032 3.0-V ליתום מטבע

מידות פיזיות

גובה	2.54 ס"מ
רוחב	7.493 ס"מ
עומק	26.03 ס"מ
משקל	0.363 ק"ג

מודל מתג PowerConnect 5316M Ethernet

מחברים בעלי נגישות חיצונית	
Gb 10/100/1000 Mbps Ethernet	שישה קישורי RJ-45 התומכים במו"מ אוטומטי

מידות פיזיות

גובה	3.302 ס"מ
רוחב	13.081 ס"מ
עומק	27.432 ס"מ
משקל	0.816 ק"ג

מודל מעבר של Gb Ethernet

מחברים בעלי נגישות חיצונית	
Ethernet	עשרה קישורים של RJ-45 (עבור כרטיסי ממשק רשת משולבים של 1-Gbps) עצה: קישורי מעבר תומכים בחיבור של 1000 Mbps בלבד.

מידות פיזיות

גובה	3.302 ס"מ
רוחב	13.081 ס"מ
עומק	27.432 ס"מ
משקל	0.816 ק"ג

מערכת

מארז המערכת

גובה	31.038 ס"מ
רוחב	42.519 ס"מ
עומק	76.2 ס"מ
משקל (תצורה מרבית)	129.274 ק"ג

מודול ספק הכוח

ספק כוח ז"ח (לכל ספק כוח)

2100 W	הספק חשמלי בוואטים
170 VAC - 15.8 A , 50/60 Hz , 170-264 VAC	מתח חשמלי
9.9 A - 264 VAC	
3480 BTU/hr לכל היותר	פיזור חום
בתנאי קו רגילים ובטווח הפעלה בתנאי סביבה של המערכת כולה, ייתכן שהזרם הנכנס יגיע ל- 55 A לכל ספק כוח למשך 10 מ"ש או פחות.	זרם נכנס מקסימלי

מידות פיזיות

גובה	9.70 ס"מ
רוחב	12.90 ס"מ
עומק	23.01 ס"מ
משקל	3.288 ק"ג

מודול המאוורר

מידות פיזיות

גובה	14.732 ס"מ
רוחב	15.748 ס"מ
עומק	27.305 ס"מ
משקל	2.948 ק"ג

KVM מודול

מחברים בעלי נגישות חיצונית

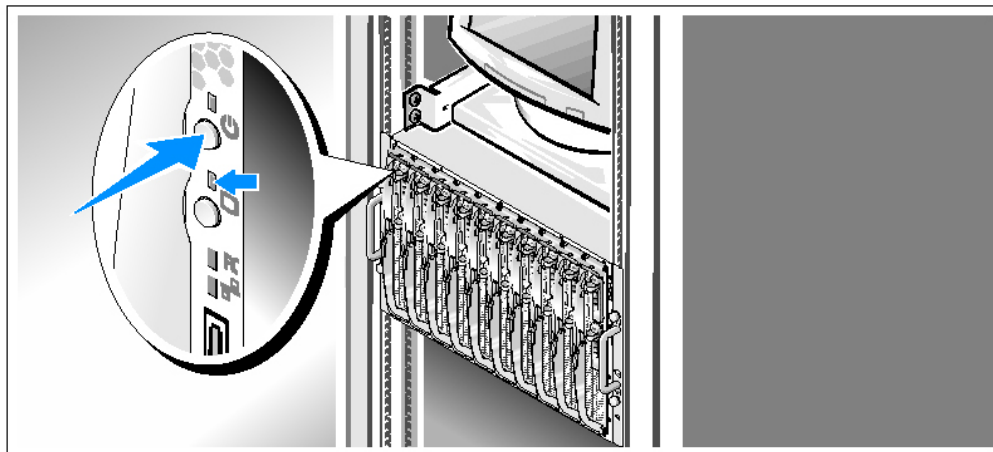
מותאם אישית	מותאם אישית
יציאת ACI	PS/2 וליציאת וידאו אחת
Ethernet	RJ-45 (מתג KVM אנלוגי של Avocent בלבד)
	RJ-45 (מתג KVM לגישה דיגיטלית של Avocent בלבד)

מפרטים טכניים

מודול השרת

מעבד	
סוג מעבד	עד שני מעבדים מסוג Intel Xeon Processor 5000 Sequence
זיכרון	
ארכיטקטורה	מודולי FBD DDR II DIMMs, עם שילוב דו-כיווני, מותאמים ל- 533 MHz או 677 MHz (כאשר זמין):
שקעים של מודולי זיכרון	שמונה שקעים של 240 פינים
קיבולת מודולי זיכרון	256 MB, 512 MB, 1 GB, 2 GB או 4 GB
זיכרון RAM מינימלי	512 MB
זיכרון RAM מקסימלי	32 GB
דיסקים	
דיסקים קשיחים	
תצורת SAS	אחד או שניים דיסקים קשיחים בגודל 2.5 אינץ' התומכים בחיבור חם
תצורת SATA	אחד או שניים דיסקים קשיחים בגודל 2.5 אינץ' התומכים בחיבור חם
עצה: לא ניתן לערבב דיסקים קשיחים מסוג SAS ו-SATA בתוך מודול שרת.	
מחברים	
נגישות חיצונית	
חזית	
מותאם אישית	תמיכה בשני התקני USB ובוודאו באמצעות כבל מותאם אישית
וידאו	
סוג וידאו	בקר וידאו ATI ES1000
זיכרון וידאו	16 MB
מידות פיזיות	
גובה	28.575 ס"מ
רוחב	4.241 ס"מ
עומק	50.8 ס"מ
משקל (תצורה מרבית)	7.257 ק"ג
סוללה	
סוללת מודול השרת	סוללת מטבע ליתום CR 2032 3.0-V

הדלקת מודולי השרת

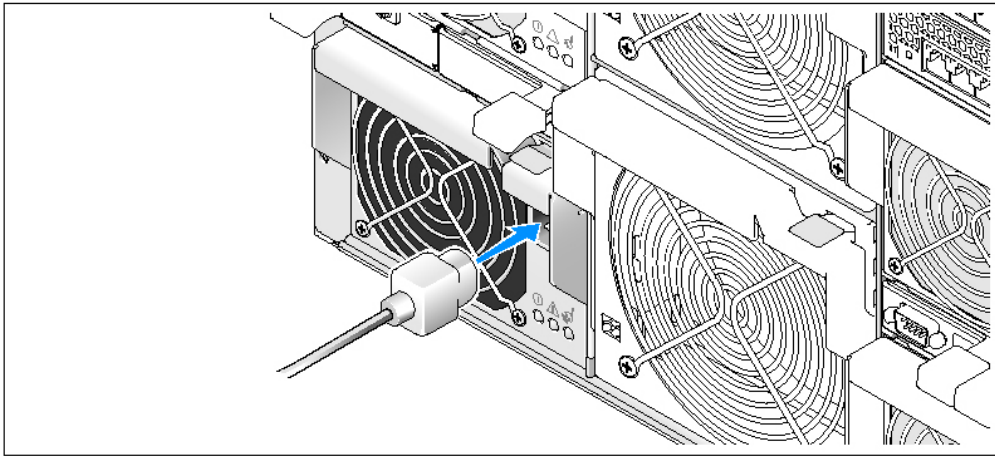


- ③ לחץ על לחצן המתח בכל מודולי השרת, או הדלק את המודולים באמצעות תוכנת ניהול המערכת. מחווני KVM במודולי השרת מזהים איזה מסך של מודול שרת מוצג. כוונן את בקרי הצג, עד שהתמונה המוצגת תהיה לשביעות רצונך.

השלמת הגדרת מערכת הפעלה

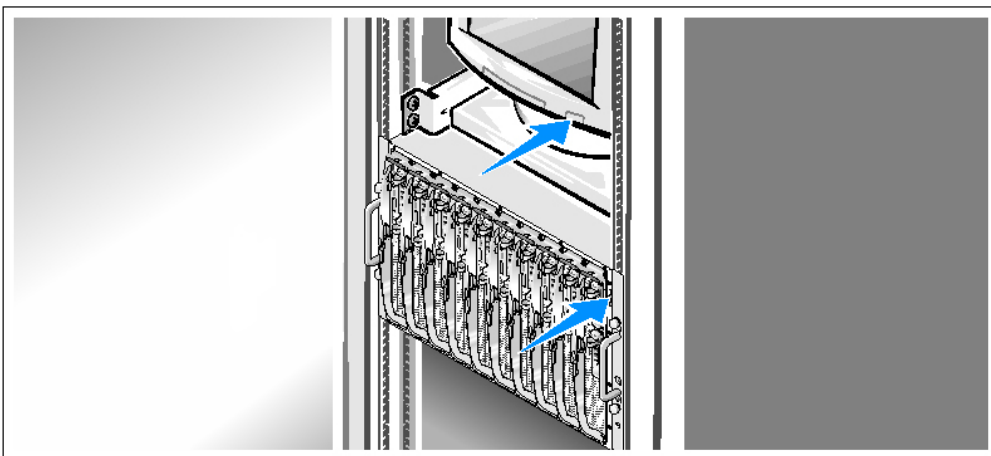
אם רכשת מערכת הפעלה מותקנת מראש, עיין בתיעוד המצורף למערכת. כדי להתקין מערכת הפעלה בפעם הראשונה, עיין במדריך ההתקנה המהירה. ודא שמערכת ההפעלה מותקנת לפני שתתקין רכיבי חומרה ותוכנות שלא נרכשו עם המחשב.

חיבור המערכת והצג (אופציונלי) למקור מתח



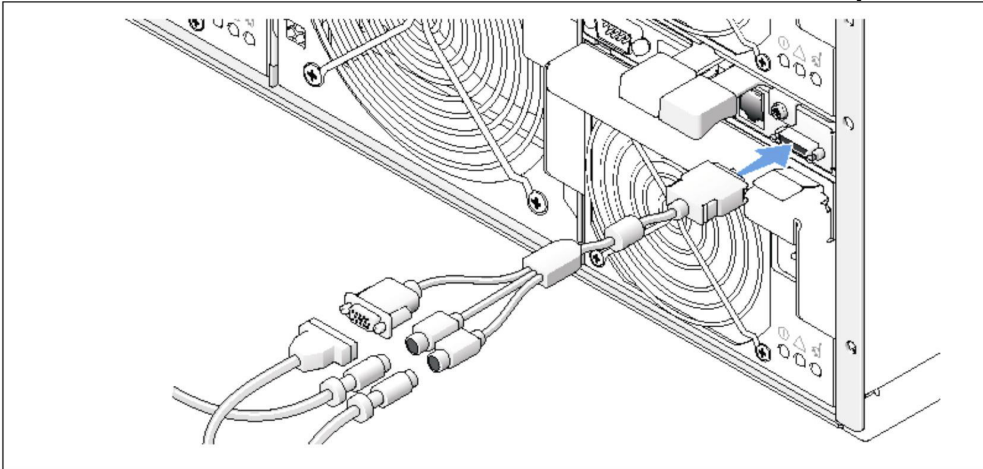
6 חבר את כבלי החשמל של המערכת למערכת. לאחר מכן, חבר את הקצה השני של הכבל לשקע חשמלי מוארק או למקור מתח אחר, כגון מערכת אל-פסק (UPS) או ליחידת חלוקת מתח (PDU). חבר את כבל החשמל של הצג לשקע חשמל מוארק.

הדלקת המערכת והצג (אופציונלי)



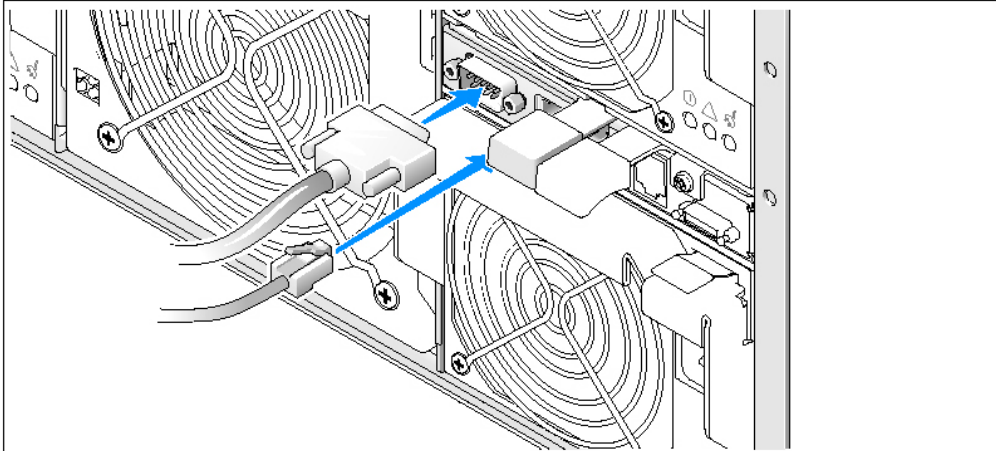
7 לחץ על מתג ההפעלה בתושבת ובצג. נורות המתח אמורות לדלוק. כוונן את בקרי הצג, עד שהתמונה המוצגת תהיה לשביעות רצונך.

חיבור המקלדת, העכבר והצג



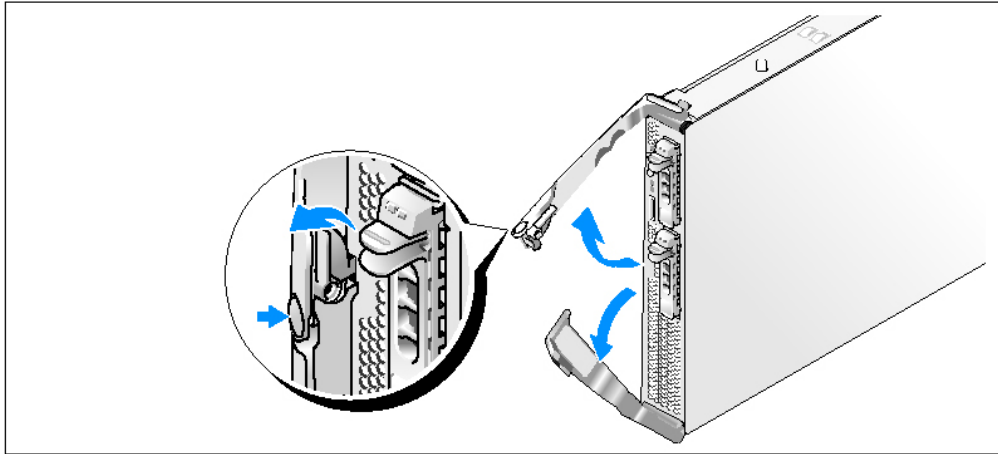
④ חבר את הכבל המותאם אישית למודול KVM, ולאחר מכן חבר את המקלדת, העכבר והצג (אופציונלי) לכבל המותאם אישית.

חיבור מערכת הניהול

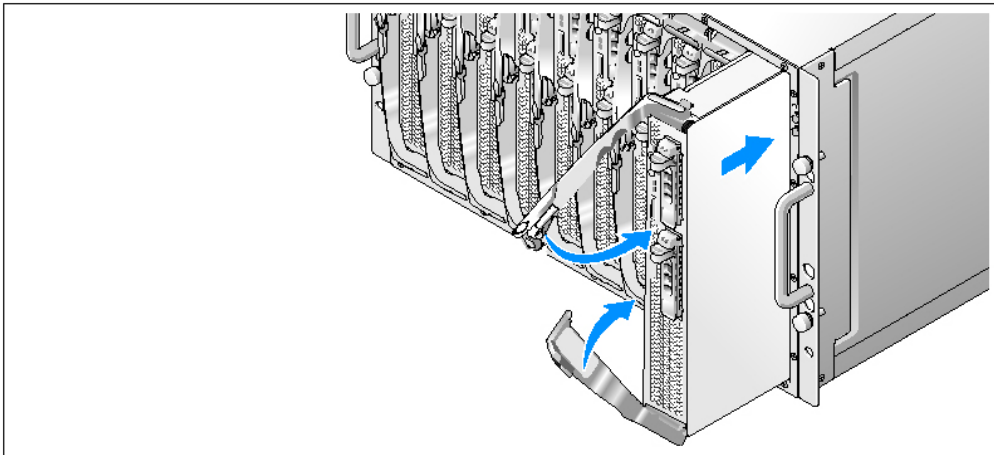


⑤ חבר את הכבל הטורי ואת כבל הרשת ממערכת הניהול אל מודול DRAC/MC.

התקנת מודולי השרת

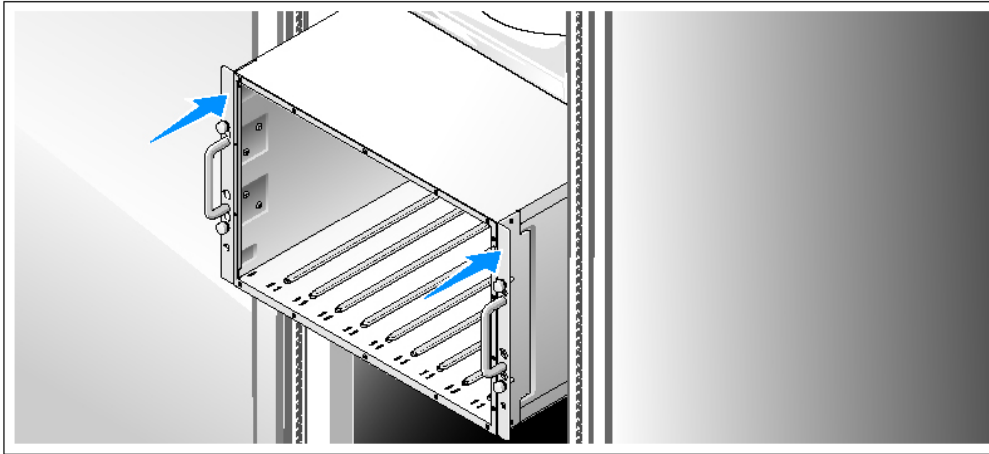


3 לפני התקנת המודולים, כוון כל מודול כך שהידית העליונה תהיה זו שעליה מופיע הלוגו, והתווית "TOP-SIDE" (צד עליון) שעל דופן המודול תפנה כלפי מעלה. לחץ על תפס שחרור האחיזה בחלק הפנימי של הידית העליונה. משוך החוצה את הידית העליונה והתחתונה.



הסט את המודולים לתוך התושבת, משמאל לימין. כאשר הידיות הפתוחות נוגעות בלוח הקדמי של התושבת, התחל לסובב אותן יחד (הידית התחתונה תיסגר ראשונה) עד שהידית התחתונה תהיה מיושרת עם הלוח הקדמי של המודול. המשך לסובב את הידית העליונה כלפי מטה, עד שהיא תתיישר עם הידית התחתונה. (כאשר הידיות סגורות לחלוטין, תפס שחרור האחיזה יחזק את שתי הידיות אל הלוח הקדמי).

התקנת המערכת במעמד



- ② התקן את המערכת במעמד לאחר שקראת את הוראות הבטיחות בתיעוד של התקנת המעמד המצורף למערכת.
לקבלת הוראות להתקנת המערכת במעמד, עיין בתיעוד ההתקנה המצורף למעמד.

קבלת סיוע טכני

אם אינך מבין את ההליך המתואר במדריך זה, או אם המערכת אינה פועלת כצפוי, עיין במדריך לבעלים של החומרה.

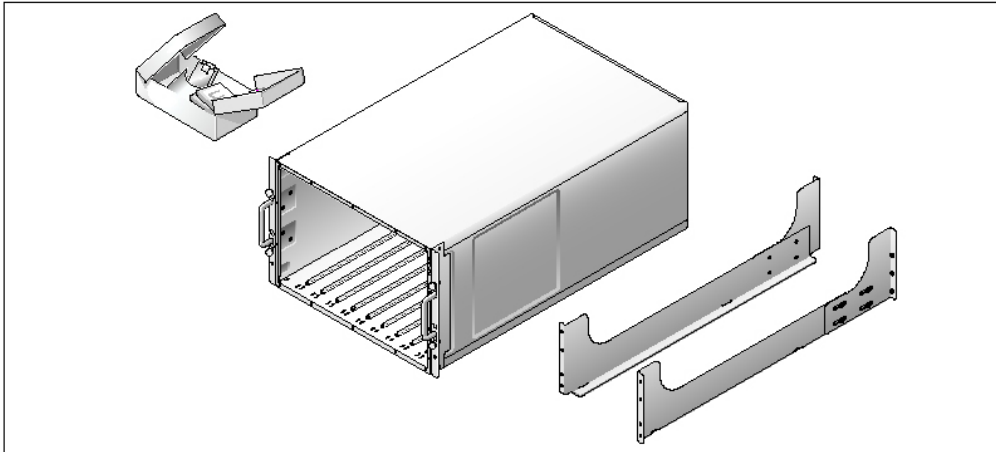
שירות ההדרכה וההסמכה הארגוני של Dell זמין ועומד לרשותך; לקבלת מידע נוסף, בקר בכתובת www.dell.com/training. ייתכן ששירות זה אינו זמין בכל האזורים.

התקנה וקביעת תצורה

 **זהירות:** לפני שתבצע את ההליך הבא, קרא את הוראות הבטיחות ואת מידע התקנות במדריך המידע על המוצר, ופעל על-פיהן.

סעיף זה מתאר את השלבים הדרושים להתקנת המערכת בפעם הראשונה.

הוצאת המערכת מהאריזה




1 הוצא את המערכת וזהה את כל הפריטים.

שמור את כל חומרי האריזה למקרה שתזדקק להם מאוחר יותר.

- Intel x86 עבור Red Hat Enterprise Linux מדגם ES, AS ו-WS (גרסה 4)
- Red Hat Enterprise Linux עבור Intel Extended Memory 64 Technology (Intel EM64T), AS, ES ו-WS (גרסה 4)
- Intel EM64T עבור SuSE® Linux Enterprise Server 9

מידע נוסף שעשוי לסייע לך



- **זהירות: מדריך המידע על המוצר מספק מידע חשוב בנושא בטיחות ותקנות. ייתכן שמידע על האחריות כלול במסמך זה או במסמך נפרד.**
- **המדריך להתקנת המעמד או ההוראות להתקנת המעמד, הכלולים עם פתרון המעמד, מתארים כיצד להתקין את המערכת במעמד.**
- **מדריך הבעלים של החומרה מספק מידע על תכונות המערכת, ומתאר כיצד לפתור בעיות במערכת, ולהתקין או להחליף את רכיבי המערכת.**
- ***Dell OpenManage Baseboard Management Controller User's Guide* (מדריך למשתמש של בקר ניהול הלוח של Dell OpenManage) מספק מידע מפורט על השימוש ב-BMC.**
- ***Dell Remote Access Controller/Modular Chassis User's Guide* (המדריך למשתמש של בקר גישה מרחוק/תושבת מודולרית של Dell) מספק מידע מפורט על השימוש בתכונות הניהול מרחוק של המערכת.**
- ***Configuration Guide* (מדריך התצורה) מספק מידע על קביעת התצורה של המערכת ומודולי השרת במערכת.**
- **תקליטורים הנלווים למערכת מספקים תיעוד וכלים לקביעת תצורה של המערכת וניהולה.**
- **התיעוד של התוכנה לניהול המערכת מתאר את התכונות, הדרישות, ההתקנה והפעולות הבסיסיות של התוכנה.**
- **תיעוד מערכת ההפעלה מתאר כיצד להתקין (במקרה הצורך), לקבוע תצורה ולהשתמש בתוכנת מערכת ההפעלה.**
- **תיעוד לגבי רכיבים אחרים שרכשת בנפרד מספק מידע על קביעת התצורה וההתקנה של רכיבים אופציונליים אלה.**
- **לעתים מצורפים למערכת עדכונים המתארים את השינויים שבוצעו במערכת, בתוכנות ו/או בתיעוד.**
- ** **עצה:** בדוק תמיד אם קיימים עדכונים חדשים בכתובת support.dell.com, והקפד לקרוא תחילה את העדכונים מאחר שלעיתים קרובות יש להם קדימות על-פני מידע המתואר במסמכים אחרים.**
- **ייתכן שכלולים גם קובצי readme או הערות מוצר, כדי לספק עדכונים של הרגע האחרון למערכת או לתיעוד, או כדי לספק חומר עזר מתקדם בנושאים טכניים, המיועד למשתמשים מנוסים או לטכנאים.**

- תמיכה בשני דיסקים קשיחים לכל היותר, בגודל 2.5 אינץ', מסוג SAS או SATA, התומכים בחיבור חם.
 - **עצה:** לא ניתן לערבב דיסקים קשיחים מסוג SAS ו-SATA בתוך מודול שרת.
 - שיקוף כוננים פנימי משולב מאפשר שיקוף של שני דיסקים באמצעות בקר RAID משולב.
 - יציאה חיצונית לתמיכה בהתקני USB באמצעות הכבל המותאם אישית. התקני USB יכולים לכלול עכבר, מקלדת, כונן flash, כונן תקליטונים בנפח 1.44-MB ובגודל 3.5 או כונן אופטי.
 - **עצה:** רק כונני תקליטונים וכוננים אופטיים של USB שסופקו על-ידי Dell נתמכים; השתמש בכבל תואם USB 2.0 בלבד, שאורכו אינו עולה על 3 מ'.
 - מערכת משנה של מסך תואם VGA עם בקר וידאו ATI ES1000. מערכת המשנה של הווידאו מכילה 16 MB של זיכרון וידאו SDRAM (לא ניתן לשדרוג). הרזולוציה המקסימלית היא 1280 x 1024 x 65,000 צבעים (לא משולב).
 - מעגל חשמלי לניהול מערכת, המפקח על פעולת מאווררי המערכת וכן על נתונים קריטיים של המערכת, כגון וולטאז' וטמפרטורות. המעגל החשמלי לניהול המערכת פועל בשילוב עם התוכנה לניהול המערכת.
- לקבלת מידע נוסף על תכונות ספציפיות, ראה "מפרטים טכניים".
- התוכנות הבאות כלולות במערכת:
- תוכנית System Setup (הגדרת מערכת) להצגה ושינוי מהירים של פרטי תצורת המערכת. למידע נוסף על תוכנית זו, ראה "Using the System Setup Program" (שימוש בתוכנית System Setup) *במדריך לבעלים של החומרה.*
 - תכונות אבטחה משופרות, כולל סיסמת מערכת וסיסמת הגדרות, הזמינות באמצעות התוכנית System Setup.
 - אבחון מערכת להערכת הרכיבים וההתקנים של המערכת. למידע על השימוש באבחון המערכת, ראה "Running the System Diagnostics" (הפעלת אבחון המערכת) *במדריך לבעלים של החומרה.*
 - דרייברי מסך להצגת תוכניות פופולריות רבות ברזולוציה גבוהה.
 - תוכנה לניהול המערכת עם תיעוד התוכנה לניהול המערכת משמשת לניהול ופיקוח על כל מודול שרת בנפרד וכן לניהול ופיקוח על המערכת כולה, כולל כל מודולי השרת, מודולי מתג הרשת, ספקי הכוח והמאווררים. התוכנה לניהול המערכת מנהלת את המערכת באופן מקומי ומרחוק ברשת. Dell ממליצה להשתמש בתוכנה לניהול המערכת המסופקת עם מערכת זו.
 - פתרונות תוכנה אופציונליים עבור אירוח באינטרנט, אחסון במטמון או איזון עומסים. למידע נוסף, עיין בתיעוד של פתרונות התוכנה.

מערכות הפעלה נתמכות


המערכת שברשותך תומכת במערכות ההפעלה הבאות:

- Microsoft® Windows® 2000 Server ו-Microsoft Advanced Server עם Service Pack 4 ואילך
- Microsoft Windows Server™ 2003 Standard Edition, Microsoft Windows Server Enterprise Edition ו-Web Edition עם Service Pack 1 ואילך
- Microsoft Windows Server 2003 Standard ו-Enterprise x64
- Red Hat® Enterprise Linux מדגם AS, ES ו-WS (גרסה 3) עבור Intel x86

תכונות המערכת

סעיף זה מתאר את תכונות החומרה והתוכנה המרכזיות של המערכת. סעיף זה כולל גם מידע על מסמכים אחרים שלהם אתה עשוי להזדקק בעת התקנת המערכת, וכיצד לקבל סיוע טכני.


- תמיכה בעשרה מודולי שרת לכל היותר. התושבת יכולה לתמוך באחד עד עשרה מודולי שרת. (אם מותקנים בתושבת פחות מעשרה מודולי שרת, דרושים לוחות ריקים של מודולי שרת להשגת אוורור נאות).
- Dell™ Remote Access Controller/Modular Chassis (DRAC/MC), שמספק גישה לתכונות של תוכנת ניהול המערכת.
- כדי לגשת לתכונות של ניהול המערכת, חבר את כבל מודם null, המסופק עם המערכת, בין יציאת הניהול הטורית למחשב אישי חיצוני. תוכל גם לקבל מידע על ניהול המערכת באמצעות דפדפן אינטרנט המחובר ליציאת הניהול RJ-45. התוכנה לניהול המערכת מפקחת על מצב המערכת ומודול השרת.
- מעגל חשמלי משובץ לניהול מערכת, המפקח על פעולת מאווררי המערכת ועל נתונים קריטיים של המערכת, כגון וולטאז' וטמפרטורות. המעגל החשמלי לניהול המערכת פועל בשילוב עם התוכנה לניהול המערכת.
- תמיכה בקישוריות I/O, כולל מודולי מעבר ומודולי מתג רשת. ניתן להתקיין עד ארבעה מודולי I/O. (אם מותקנים בתושבת פחות מארבעה מודולים, דרושים מודולי I/O ריקים להשגת אוורור נאות). כרטיסי בת המותקנים במודולי השרת מאפשרים את קישוריות ה-I/O.
- שני מודולי מאוורר של המערכת התומכים בחיבור חס. לכל מודול מאוורר יש שני מאווררים חלופיים.
- שני ספקי כוח של 2100 וואט, התומכים בחיבור חס, ושני ספקי כוח ריקים, או ארבעה ספקי כוח של 2100 וואט התומכים בחיבור חס. שני ספקי כוח מספקים מתח למערכת; שני ספקי כוח נוספים מספקים יתירות.


 הערה: ספקי כוח של 1200 וואט אינם נתמכים.


תכונות מודול השרת

- מעבד אחד או שני מעבדים מסוג Intel® Xeon® Processor 5000 Sequence.
- תמיכה בריבוי מעבדים סימטרי (SMP), המשפר באופן משמעותי את ביצועי המערכת הכוללים על-ידי חלוקת הפעולות של המעבד בין מעבדים בלתי תלויים. כדי לנצל תכונה זו, עליך להשתמש במערכת הפעלה שתומכת בריבוי מעבדים.
- מודולי זיכרון מסוג DDR II fully-buffered DIMM (FBD) בעלי נפח מינימלי של 512 MB מתוך 533 MHz או 677 MHz (כאשר זמין), הניתנים לשדרוג לנפח מרבי של 32 GB על-ידי התקנת שילובים של מודולי זיכרון דו-כיווניים משולבים בנפח 256-MB, 512-MB, 1-GB, 2-GB או 4-GB בשמונת השקעים של מודולי הזיכרון בלוח המערכת.
- המערכת תומכת גם בחיסכון בזיכרון או בשיקוף זיכרון אם כל שמונת השקעים של מודולי הזיכרון מאוכלסים במודולי זיכרון זהים.

עצות, הערות ואזהרות

 **עצה:** מציינת מידע חשוב שסייע לך לנצל את המחשב בצורה טובה יותר.

 **הערה:** מציינת אפשרות של נזק לחומרה או אובדן נתונים, ומסבירה כיצד להימנע מהבעיה.

 **זהירות:** מציינת אפשרות של נזק לרכוש, פגיעה גופנית או מוות.

המידע הכלול במסמך זה נתון לשינויים ללא הודעה מוקדמת.
© 2006 Dell Inc. כל הזכויות שמורות.

חל איסור על שעתוק מסמך זה, בכל דרך שהיא, ללא קבלת רשות בכתב מאת Dell Inc.

סימנים מסחריים המופיעים במסמך זה: Dell, הלוגו של DELL ו- Dell OpenManage הם סימנים מסחריים של Dell Inc.; Microsoft, ה- Windows Server הם סימנים מסחריים רשומים ו- Windows Server הוא סימן מסחרי של Microsoft Corporation; Intel ו- Xeon הם סימנים מסחריים רשומים של Intel Corporation; SUSE הוא סימן מסחרי רשום של Red Hat; Novell, Inc. הוא סימן מסחרי רשום של Red Hat, Inc.

סימנים מסחריים ושמות מסחריים אחרים המוזכרים במסמך זה מתייחסים לגורמים הטוענים לבעלות על הסימנים ועל השמות, או על המוצרים של גורמים אלה. Dell Inc. מתנעת מכל עניין קנייני בסימני מסחר ובשמות מסחריים, למעט הסימנים והשמות שלה עצמה.

דגם BMX

מהדורה A00

מק"ט FD316

ינואר 2006

תחילת העבודה עם המערכת